

THE COMPLETE HÄFFELE



Technical Guide
for *Kitchens*



Technical Guide for **Kitchens**



Introduction

Dear Customers,

Häfele has pioneered the way interior fittings are sold across the globe for almost 100 years now. Being a German company, our foremost concern has always been to offer our customers, premium quality products at competitive prices paired with solution based services. In South Asia, Häfele has grown into a reliable and preferred partner over the last 2 decades and is increasingly being recognized as a brand that provides holistic interior solutions. We have every product in our range that can potentially add value to different interior spaces like homes, offices, institutions and hotels; and also create functionality for the different applications within any interior space. This along with our strong focus on providing value added services at every stage of the customer journey has developed us into a trustworthy brand in this market.

To this unmatched proposition of “holistic products, solutions and services”, we are now adding more and more Häfele engineered products that come with the well-known “Häfele Quality Standards” and promise a truly “Häfele” experience to our customers. Our in-house, Häfele-engineered brands like Loox (Furniture Lighting Solutions), Slido (Sliding Systems) and IxConnect (Furniture Construction Fittings) are already well-known in South Asia and carry the strong heritage of manufacturing and engineering competencies that the Häfele brand stands for.

We are extremely excited to announce, that we have recently added a new range of Häfele-engineered solutions for kitchens and other areas of the home from our Global Assortment: Matrix Drawer and Runner Systems, Free Flap Fittings, Metalla 510 Furniture Hinges and Wire Storage Solutions. These products reflect the strong competencies that Häfele holds in research, development, engineering and manufacturing; and come with the well-recognized quality standards that our brand stands for, globally. With the introduction of this global range of kitchen and home products in South Asia, we aim to strengthen our position in the market as a “Manufacturing organization” and will continue to bring in more such products engineered by Häfele that come with excellent quality standards. We believe that this, backed by our strong service-proposition, will strengthen the unmatched “Häfele experience” for our customers.

Our range includes The MatrixBox Premium drawer system, manufactured at Häfele’s own factory in Kenzingen, Germany, that operates smoothly, opens swiftly and closes with precision. This premium drawer system features simple assembly and easy adjustment as well as unrivalled design and flexibility in application. It is suitable for installation in kitchens, bedrooms, bathrooms and home offices, as well as commercial and industrial environments. MatrixBox Premium offers the widest range of accessories, comes equipped with Soft-Close as well as Pushto-Open Soft-Close runner system functionalities in weight carrying capacities of 35 kg. and 50 kg and is available in Metallic Anthracite, Metallic Silver and White finishes.

Keeping in line with the global trend of minimalism designs in kitchen, we bring to you The MatrixBox Slim drawer system, engineered by Häfele, that comes with a sophisticated slim design and operates smoothly, opens swiftly and closes with precision. This Slim drawer system with 13mm thin drawer sides, features simple assembly as well as unrivalled design and flexibility in application. It is suitable for installation in kitchens, bedrooms and bathrooms. MatrixBox Slim comes with 3 height options, 2 side design options (Solid & Décor) and 2 weight carrying capacities (40 & 60 kg); giving you the widest choice for a host of applications. With an integrated Soft-Close and a Synchronized Runner Technology, the movement of these drawers is smooth, stable and precise. The attractive Graphite Grey Finish brings sophistication and elegance to your home design.

Our new in-house range of Matrix Undermount runners completes the Drawer applications series and comes with an elegant motion technology that can suit a host of applications within kitchens, living room furniture, bed storage units, wardrobes and bathroom units. Available in 4 weight-carrying capacities (60, 40, 35 & 25 kg) and a large range of nominal lengths, the Undermount runners can execute any required drawer design. The 40 and 60 kg runners come with a synchronized technology providing excellent motion and stability to the drawers. All runners come with an integrated soft-close mechanism that offers smooth and noiseless closing of the drawer units. To execute the perfect over-head cabinet applications, we introduce to you our Free Flap Fittings that give cabinet flaps a

new freedom in movement. This opens up more opportunities in the visual and technical design of furniture and has tangible benefits compared to hinged doors. But above all, it gives the furniture and the room undreamt elegance and lightness. It doesn't matter whether a flap is lifted, tilted, swivelled, or folded – it immediately provides added value and more efficiency when working. Almost 100 years of experience with furniture fittings, engineering expertise, and a close connection to the market and the people who work with furniture fittings on a daily basis led to the development of this product family. Inspired by the requirements of the market of tomorrow, the Free family fulfils the demands for creative freedom, choice of material, design, ease of installation and convenient operation on a whole new level. To put it simply: They are slimmer (in design), lighter (to operate) and simpler (to install).

Designed with perfection and conceived to perform, the new Metalla 510 Hinge Range by Hafele adds efficient functionality to your kitchen and home cabinets. The standard application hinges, from this range, for shutters made from wood or with wide aluminium frame come with an opening angle of 105° and constitute full-overlay, half-overlay and inset applications respectively. For shutters made with narrow aluminium profile, the range houses a special aluminium profile hinge with the same opening angle. Metalla 510 also includes a 155° wide-angle application hinge for cabinets with internal drawers or shelves. All hinges from within this range come equipped with an integrated soft-close mechanism in the hinge cup for a smooth and noiseless closing.

And finally, to execute the most optimum space utilization in Kitchens for Storage needs, Häfele presents its new premium range of efficient, ergonomic and holistic storage solutions. This cleverly designed range not only utilises the space available in your kitchen effectively but also optimises functionality so that you can get 'more life per meter square'. The range comprises of Slim Pull-outs for bottle or towel storage, a Side Pull-out to store jars, a Larder unit and Pantry unit for bulk storage of groceries and a corner unit to store your pots and pans. Available in two attractive finishes, Chrome and Metallic Anthracite, these German-engineered Storage Solutions seamlessly lend elegance and balance to your kitchen interiors. Equipped with

the best operating characteristics, inherent elegant motions and distinguished material and finish properties, the range truly represents the well-known Häfele quality standards.

So, go through this new range of Hafele-engineered products that are presented in great detail in the consequent pages. You can also visit our Design Showrooms for an informed dialogue with me or the Häfele team. We look forward to partnering with you and assisting every need you may have to make your dream homes a reality.

Enjoy!



Jurgen Wolf.
Managing Director
Hafele South Asia.

Hafele

Reassuring Expertise



"For almost 10 decades, we've been helping people make more of their homes.

Established in Germany, and now operating worldwide, we specialise in the fittings, hardware and systems that improve the way your home, works. So when you choose our products as part of your new or reformed home, you know you're getting the benefit of extensive knowledge and decades of experience.

And we're still a family business, owned and managed by family members who really care about the products and service we provide. You can rely on our commitment to the

highest standards of quality and reliability, founded on a long tradition of German engineering where attention to detail is second nature.

All our home improvement ideas are built to last – day in, day out – we want you to get the very best from every corner of your home, for many years to come."

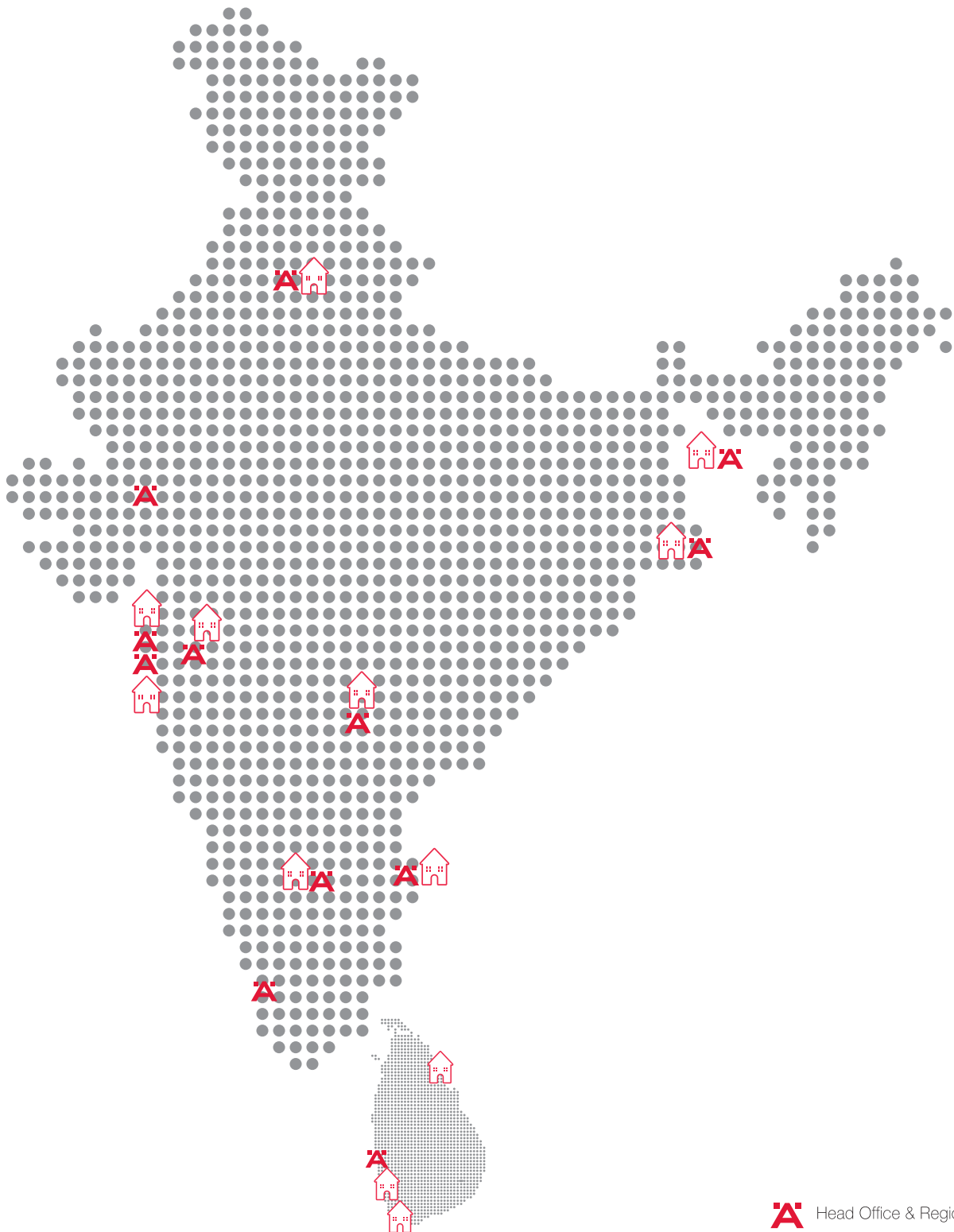
Häfele Worldwide



With its origin in 1923 in a small town named 'Nagold' from the Swabian region of Germany that nurses a passion for hardware technology, it is no surprise that Häfele has lived up to its roots through a successful presence in the architectural and furniture hardware industry for over 9 decades now. Today, Häfele's worldwide penetration includes 38 subsidiaries across Europe, America, Asia, Australia and New Zealand. With these subsidiaries and numerous other sales organisations, Häfele operates in over 150 countries. The Häfele headquarters, 4 manufacturing units and 10 sales offices are located within Germany; while 1 manufacturing unit is located at Budapest, Hungary. The company also owns one of the largest and most sophisticated warehouses in its home country. The Häfele worldwide workforce is empowered by a base of over 8100 employees.

The group services over 150,000 customers across the globe through its extensive range of hardware products and a comprehensive logistics system. In addition to this, Häfele also provides consultative services to its customers, educating and advising them about buying the correct hardware as per their requirements. With this level of market penetration and ability to handle worldwide demand, it comes as no surprise that the company is an authority in the segment of home interior solutions; what is pleasantly surprising, though, is that in spite of its size, Häfele still remains a family owned and run business with a unique, friendly and value-centric work culture which is strongly followed among all its subsidiaries.

Hafele India



 Head Office & Regional Offices

 Hafele Design Showrooms



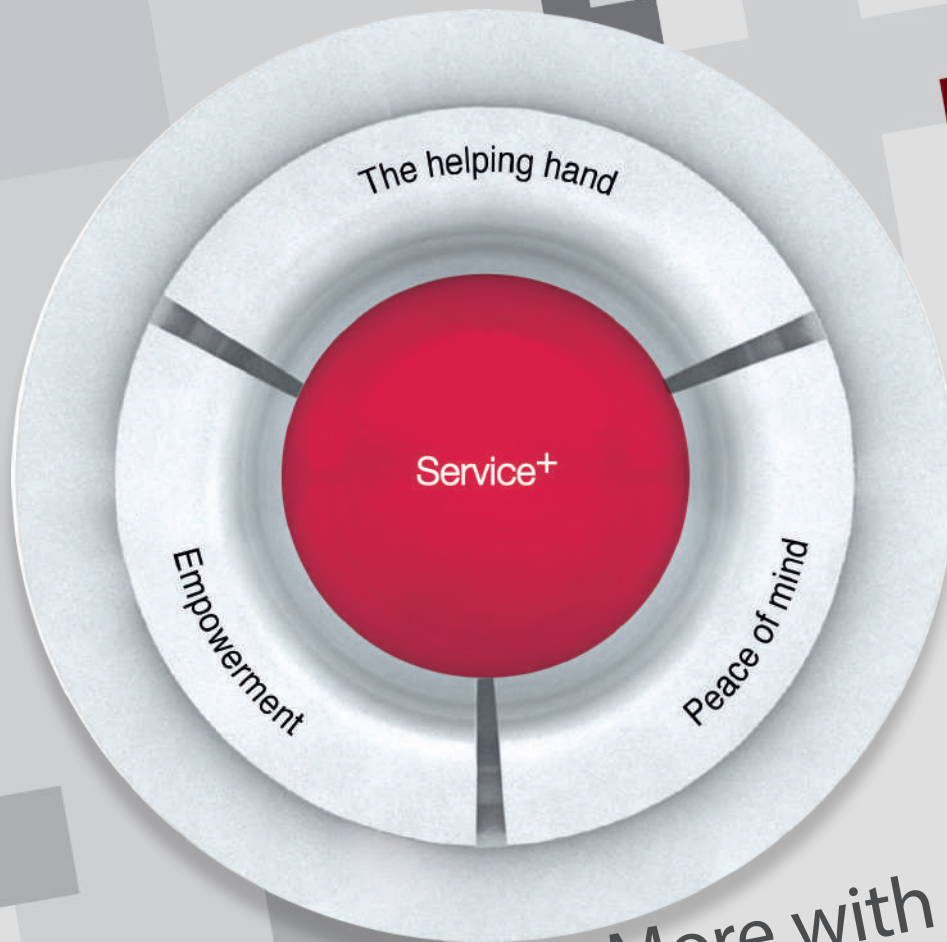
Häfele India is a wholly-owned subsidiary of the Häfele Global network and has been operating in India since 2003 under the leadership of Mr. Jürgen Wolf (Managing Director). The ability of the company to understand the diverse Indian market has made it an authority in the field of architectural hardware, furniture and kitchen fittings and accessories. The company also has a strong presence in synergized product categories namely Home Appliances, Furniture Lighting, Sanitary and Surfaces catering to the focused demand from these industries.

The subsidiary has a strong nation-wide presence with offices in Mumbai, Pune, Ahmedabad, Bangalore, Chennai, Hyderabad, Delhi, Kolkata and Cochin. It has full-scale operations in Sri Lanka and Bangladesh with Regional offices and Design Showrooms in both the countries; and has also spread its operations to other regions of South Asia including Nepal, Bhutan and Maldives.

Häfele's design showrooms are hubs of international home interior trends and cutting edge designs presented in a world-class environment, where customers can see home solutions in their inherent applications. These showrooms function as a one-stop-shop for all home interior and improvement needs - from providing in-depth technical advice to kitchen and wardrobe designing services through a team of experts stationed at the showroom.

Häfele India services its customers with a base of over 1300 employees, a well-networked Franchise base of over 190 shops along with over 500 direct dealers and 90+ distributors who in turn cater to over 8000 satellite dealers. The subsidiary has a sophisticated Logistics centre in Mumbai along with distribution centres in Delhi, Bangalore, Kolkata and Colombo respectively.





Experience More with **Service+**

Our customers' working environment is becoming increasingly complex and their market is becoming ever more demanding. This drives our motivation to do everything in our power to help our customers be successful. And to demonstrate that Häfele is the right partner in these challenging times, we want to accompany our customers throughout their entire business process and give them added strength in every phase of their business. We don't just want to sell our products, we also want to provide the highest level of service.

We have now divided our services into two categories: Standard Services which we provide to our customers as a matter of course when they choose our products. For example, a high availability of our goods and punctual delivery. And then there is Service+ which constitutes of services that give our customers considerable added value in terms of building expertise, increasing productivity or providing individual customised solutions. These services require a considerable amount of time and effort to develop and implement and are designed to enable our customers to regard them as worthwhile investments.

The aim is to create solid long-term foundations for our comprehensive service promise and to make Häfele an indispensable partner for our customers. The focus here lies not so much on us and on what we do – but rather, on the benefits derived by our customers. We want to empower them with opportunities to develop and expand their skills – both as masters of their trade and as entrepreneurs. We want to support them in the planning and realisation of their projects and relieve them of as much work as possible, thereby providing them with a helping hand to use their most valuable resource – time – as efficiently as possible. And we aim to give our customers peace of mind and the assurance that even after the end of a successful project completion, we will continue to be there for them as a reliable partner, shouldering responsibility.



The Pillars of **Service+**

In order to support you as comprehensively as possible, we have assigned the Plus Services to individual stages of your work process in a total of four themed pillars. We start with the transfer of knowledge and accompany you via planning and production to installation and maintenance.



Empowering customers with
Service+ Knowledge

Includes service offerings that provide inspiration and expertise to our customers about the Häfele product range. Through these, we enable our customers to use Häfele products profitably and at the same time remain at the cutting edge of technological development. One example of this is the Häfele Academy, which imparts knowledge about complex products and new technologies to our customers via seminars and trainings.

Providing a helping hand to customers with
Service+ Planning & Customised

Includes service offerings like space, design planning and customisations that make life easier for our customers and support their design vision. An example of this is Häfele's Lighting Design Service which helps our customers curate a lighting plan, following a customised approach, that enhances and brings out the true functionality of the interior space as per requirement.



Lending a "Peach-of-mind" experience through
Service+ Assist

Includes service offerings that provide support and assistance to our customers, whether digitally or on site. An example of this is the complete assembly and installation service for more complex and maintenance-intensive products done by our Meister certified and trained technicians.



Service+
Assist

Meister Service



Bought products from Häfele and got questions about how to use them correctly? Do you require technical support? Our competent technicians would be pleased to help you out with the help of Meister Service.

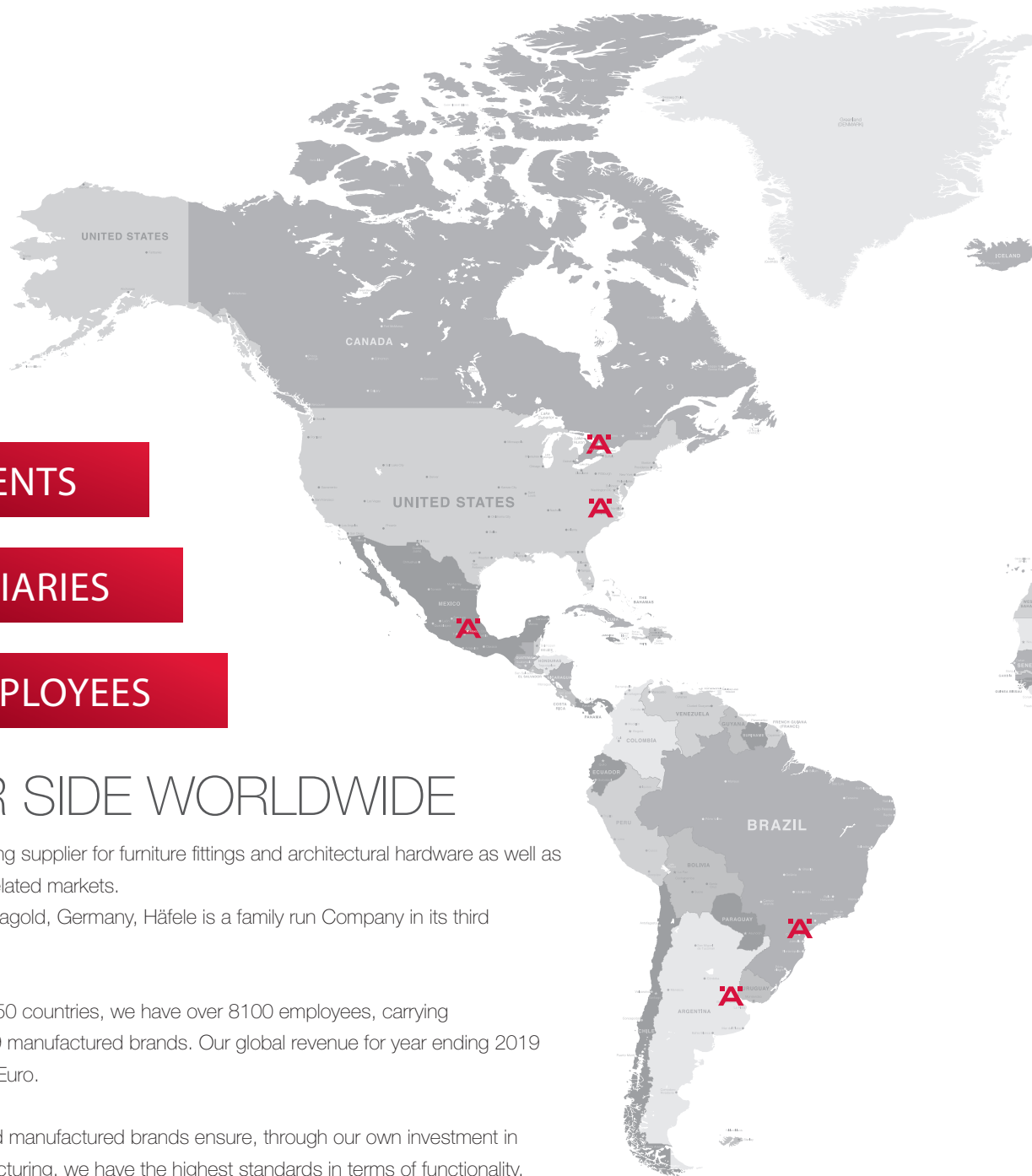
Meister Service offers complete installation of key hardware products from Häfele, by 'Meister Certified' and trained service technicians from the company directly, at a nominal service charge. This service is available for select products from categories like Kitchen Solutions, Sliding Solutions, Door Hardware, Furniture Fittings and Lighting Solutions.

Key benefits of this initiative:

- Accurate installation of products as per standards and specifications
- Optimum functionality through accurate installations
- Less hassles of product replacements
- A peace-of-mind experience for customers using Häfele products



To learn more about Meister Service please contact our team by scanning this QR code or call us at +91 1800 266 6667



6 CONTINENTS

38 SUBSIDIARIES

8,100+ EMPLOYEES

AT YOUR SIDE WORLDWIDE

Häfele is the world-leading supplier for furniture fittings and architectural hardware as well as products for hardware related markets.

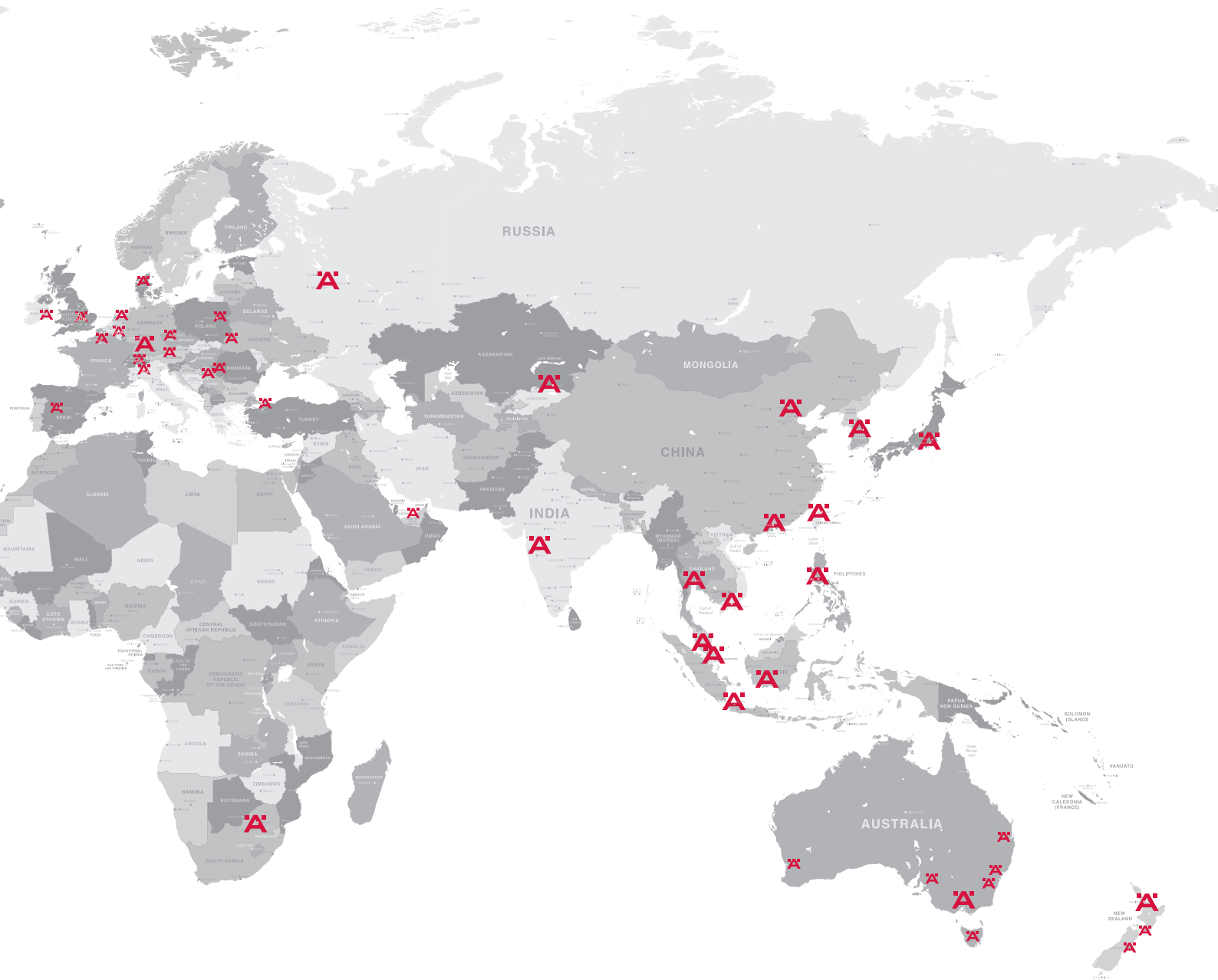
Established in 1923 in Nagold, Germany, Häfele is a family run Company in its third generation.

With presence in over 150 countries, we have over 8100 employees, carrying 150,000 products and 9 manufactured brands. Our global revenue for year ending 2019 was in excess of 1.5bn Euro.

Our own engineered and manufactured brands ensure, through our own investment in engineering and manufacturing, we have the highest standards in terms of functionality, quality and design, making Häfele a leading manufacturer of fittings

These fittings include:

- Ixconnect – Connector systems for furniture construction.
- Dialock – Sophisticated Access control electronic RFID locking systems
- Lift & Turn – Free Family Flap Fittings.
- Loox – Plug and Play modular LED lighting systems for furniture.
- Matrix – Modular drawer and runner systems for all applications
- Slido – Sliding door systems for furniture, domestic and commercial applications.
- DressCode – Wardrobe systems and accessories
- Axilo – Adjustable legs for base cabinets with adjustment tools.
- H Series Handles – Complete designer range of handles for kitchens and furniture.



PRODUCTION & ENGINEERING LOCATIONS

We produce our hardware and fittings at Six locations and export our high quality standards throughout the world in the form of our products and services.



Nagold, Germany
Head Office



Kenzingen, Germany



Berlin, Germany



Kenzingen, Germany



Budapest, Hungary



Jettingen, Germany



Stuttgart, Germany

CONTENTS

INTRODUCTION

PAGE

4 -19

1. DRAWERS -
MATRIXBOX PREMIUM

PAGE

1.1 -1.40

1. DRAWERS -
MATRIXBOX SLIM

PAGE

1.41 -1.54

1. MATRIX UM

PAGE

1.55 -1.62

2. FREE LIFT SYSTEM

PAGE

2.1 - 2.66

3. HINGES

PAGE

3.1 - 3.12

4. STORAGE SOLUTIONS

PAGE

4.1 - 4.06

MATRIXBOX PREMIUM

1

MatrixBox Premium



The **MatrixBox Premium** drawer system, manufactured at Hafele's own factory in Kenzingen, Germany, operates smoothly, opens swiftly and closes with precision.

This premium drawer system features simple assembly and easy adjustment as well as unrivalled design and flexibility in application. It is suitable for installation in kitchens, bedrooms, bathrooms and home offices, as well as commercial and industrial environments. MatrixBox Premium offers the widest range of accessories, comes equipped with Soft-Close as well as Push-to-Open Soft-Close runner system functionalities in weight carrying capacities of 35 kg. and 50 kg and is available in Metallic Anthracite, Metallic Silver and White finishes

MATRIXBOX PREMIUM



ADVANTAGES OF MATRIXBOX PREMIUM



EASY ASSEMBLY

Ease in preparation – The base and rear panels of the MatrixBox Premium drawers are required to be of the same width.
Ease of installation - The pre-assembled rear panel fixing bracket on the drawer sides can directly be screwed to the rear panel. Furthermore, the assembly / disassembly of the front can be carried out tool-free.



EXTENSIVE RANGE

The MatrixBox Premium drawer systems can adapt to your individual requirements thanks to their modular system structure, buildable configurations and large range of matching accessories.



VARIABLE USAGE

Due to its load bearing capacity (35/50 kg), modularity and universal design aesthetics, the range can be implemented in any area, be it the kitchen, bathroom, living room, office or store.



VERSATILE DESIGN

Thanks to the 3 colour choices, individual side panels, internal drawer panels and the push-to-open soft-close option for handle-free furniture designs, this range provides you with freedom to adapt your drawer designs to flawlessly complement the overall interior theme.



GENEROUS SPACE

The MatrixBox Premium drawers are built to provide more usable space due to the straight 90° inner wall of the drawer sides. The straight wall also provides greater stability to the items stored within while the full extension feature enables you to have a better overview of the drawer contents.



EXCELLENT PERFORMANCE

The drawer systems display optimised running and closing characteristics due to synchronized runners with fluid damper and cushioned end stop in the open position.



COMFORTABLE ADJUSTMENT

The height and side adjustments of the front panel can be carried out from the top of the drawer sides, this helps carry out adjustments easily even in confined spaces. The front panel can be seamlessly readjusted even with items stored in the drawer.



GERMAN QUALITY

Matrixbox Premium drawer systems are developed and produced at Häfele's own factory in Kenzingen, Germany. Having cycle tested for 100,000 times, these systems meet and even exceed the LGA certification requirements. They additionally come with the best operating characteristics, inherent elegant motions and smooth closing in accordance with the certified Häfele quality standards.

MATRIXBOX PREMIUM

MatrixBox Premium

1



Standard Drawers



Inner Drawers

- MatrixBox Premium, the modular drawer system, opens up new design opportunities for kitchens, living rooms, offices, bathrooms, and stores.
- Robust, contemporary and easy to install.
- Streamline design
- Vertically running 90° inner drawer side
- Height and side adjustments from the top of the drawer sides
- Smooth synchronised runner movement
- Drawer sides in 3 appealing, trendy colours
- 100,000 cycle tested
- Aesthetic inner drawer design
- Multiple design and customisation possibilities with the help of matching add-ons and accessories

- Material: Steel
- Finish: White, Metallic Anthracite and Metallic Silver
- Type of pull-out: Full extension with integrated Soft-Close or with Push-to-Open Soft-Close progressive roller for smooth running action

Drawer Side Colours



Metallic Anthracite



Metallic Silver



White

Runner System Functionalities

Full extension with integrated Soft-Close:

The drawer is opened manually by pulling the handle. On the other hand, when it is closed, the fluid soft closing mechanism integrated in the cabinet runner takes over and the drawer is automatically and silently closed to the end position.

Full extension with Push-to-Open Soft-Close:

The drawer opens mechanically and automatically by a gentle tap anywhere on the handle-free front panel. This function can also be used for opening wide drawer pull-outs effortlessly using a synchronisation rod. A gentle push on the front panel closes the drawer and the integrated Soft-Close then takes over and pulls it gently to the closing position.

MATRIXBOX PREMIUM

1

MatrixBox Premium

Highlights

Universal application



MatrixBox Premium offers a contemporary, universally deployable drawer system whose modularity and universal design aesthetics transform any area, be it the kitchen, bathroom, living room, office or stores into an area where the customer will immediately feel comfortable and well equipped.

Easy installation



The MatrixBox Premium can be effortlessly and functionally assembled and installed thanks to its well thought-out basic structure. Rational and functional preparation of the base and rear panel is possible due to their identical cut widths. The pre-mounted rear panel bracket also eases installation and allows the drawer side to be assembled and screwed on quickly to the rear panel. To simplify installation further, the front panel can be assembled and disassembled without tools and the height and side adjustment of the front panel takes place from the top of the drawer side, making it easy to carry out adjustments even in confined spaces.

Versatile Design



Because of its modularity, MatrixBox Premium offers countless design and customisation options. Its modern and streamlined design can be consistently implemented in standard as well as inner drawers. The 3 trendy colours make the drawer systems stand out from the moment the front panel opens. This impression is reinforced by the contemporary and elegant straight-edged railings.

Both standard and inner drawers can be equipped with inserts made from glass, wood, acrylic or stone, giving each item of furniture a unique note. The Lateral Décor Insert Holders in Standard Drawers ensure that the drawer sides can undergo customisation to meet each customer's individual design vision – even the most extraordinary ones. The Inner Drawers with Décor Insert Holders for the front and side can continue the same design philosophy to flawlessly complement the overall interior aesthetics.

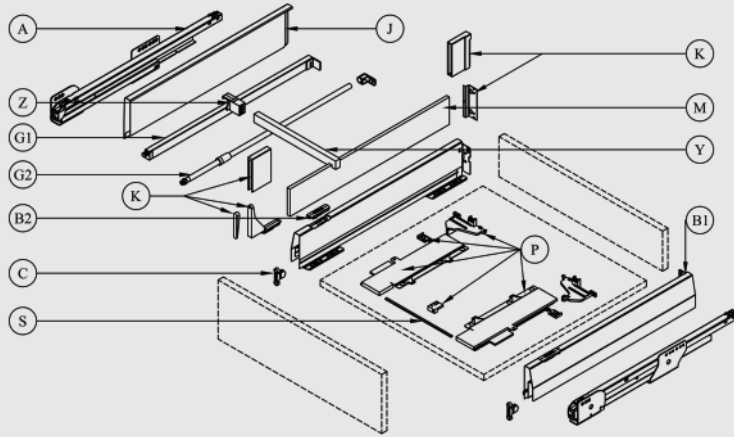
The finishing touches to the drawer design are given by the optional add-ins and extensions such as height extension side panels, cross railings and also the under sink pull out, that make the modular system complete for all requirements.

MATRIXBOX PREMIUM

1

Standard Drawer Application

Components:

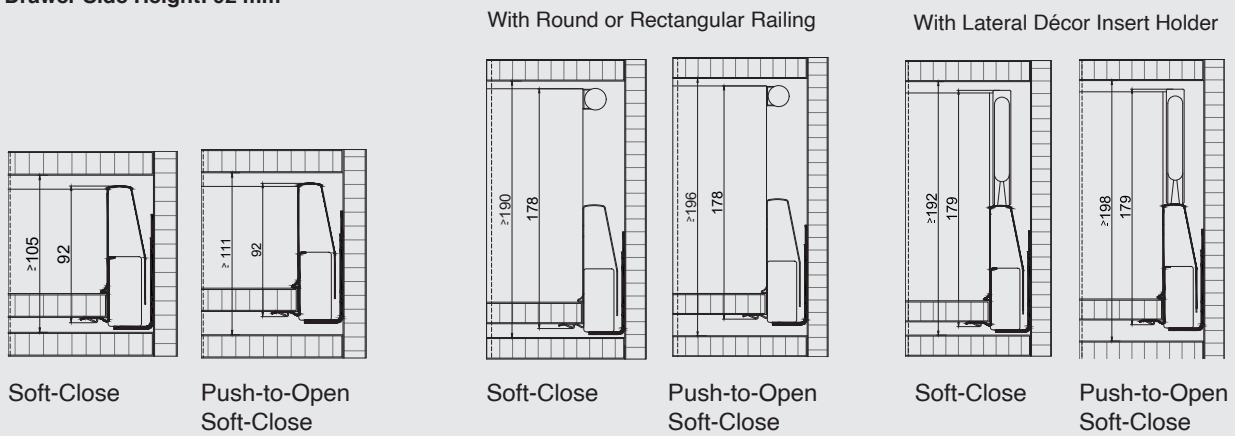


- A:** Cabinet Runners with Soft-Close or Push-to-open Soft-Close
- B1:** Drawer Sides
- B2:** Cover Caps
- C:** Front Fixing Brackets
- P:** Push-to-Open Kit
- S:** Synchronisation Rod
- G1:** Rectangular Side Railings
- G2:** Round Side Railings
- J:** Height Extension Side Panels
- K:** Lateral Décor Insert Holder Set
- M:** Lateral Décor Insert *
- Y:** Rectangular Cross Rail
- Z:** Rectangular Cross Rail Connectors

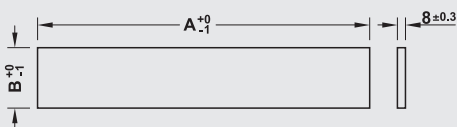
* Décor inserts are not provided by Häfele. They need to be sourced and prepared separately as per calculations.

Planning – Space Requirement

Drawer Side Height: 92 mm



Cutting dimensions – Lateral Décor Insert (M)

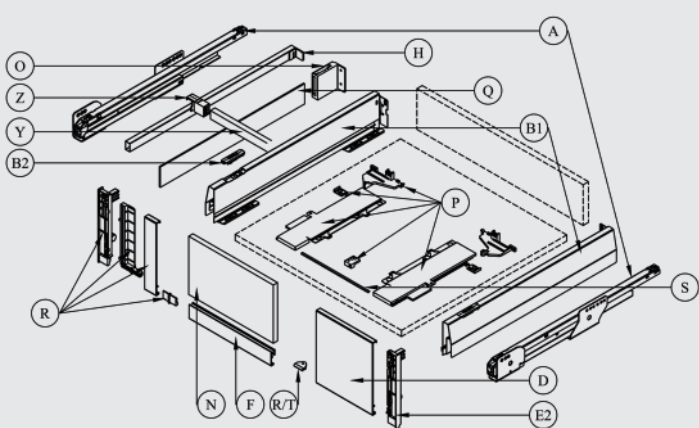


Length A = nominal length of cabinet runner – 45 mm
Height B = 82 mm

MATRIXBOX PREMIUM

Inner Drawer Application

Components:

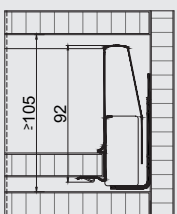
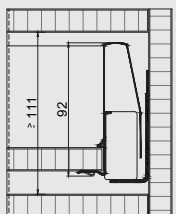
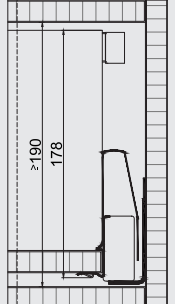
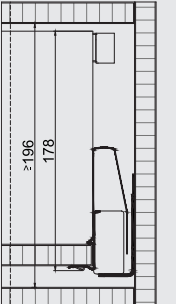


- A:** Cabinet Runners with Soft-Close or Push-to-open Soft-Close
- B1:** Drawer Sides
- B2:** Cover Caps
- P:** Push-to-Open Kit
- S:** Synchronisation Rod
- D:** Inner Drawer Front Panel (102 / 189 mm)
- E:** Inner Drawer Front Fixing Brackets (102 / 189 mm)
- H:** Rectangular Side Railings and Adapters for Inner Drawers
- O:** Rear Lateral Décor Insert Holder
- Q:** Lateral Décor Insert for Inner Drawers*
- F:** Front Panel Profile
- R:** Front Décor Insert Holder Set
- N:** Front Décor Insert*
- T:** Front Stabilisation Clip
- Y:** Rectangular Cross Rail
- Z:** Rectangular Cross Rail Connectors

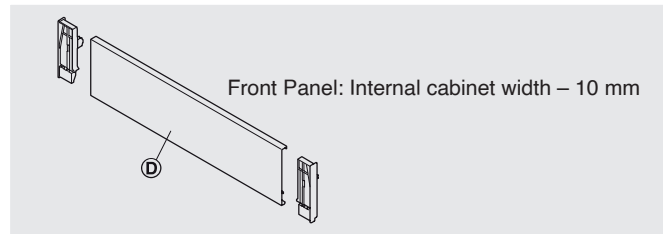
* Décor inserts are not provided by Häfele. They need to be sourced and prepared separately as per calculations

Planning – Space Requirement

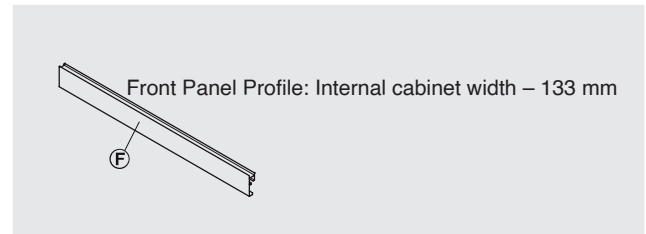
Drawer Side Height: 92 mm

With Rectangular Railing		With Rectangular Railing and Rear Lateral Décor Insert Holder	
			
Soft-Close	Push-to-Open Soft-Close	Soft-Close	Push-to-Open Soft-Close

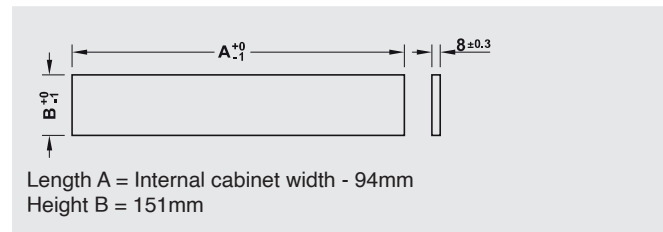
Cutting dimensions – For Inner Drawer Front Panel



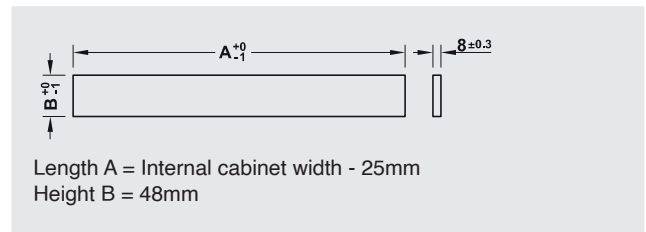
Cutting dimensions – For Front Panel Profile



Cutting dimensions – For Front Décor Insert (N)



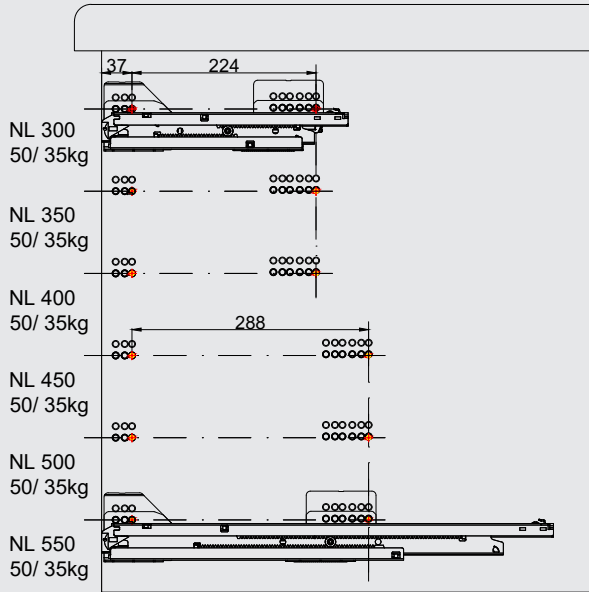
Cutting dimensions – For Lateral Décor Insert (Q)



MATRIXBOX PREMIUM

1

Drilling Pattern for Cabinets



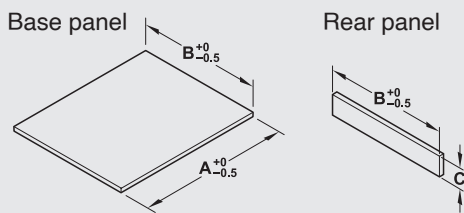
Install the MatrixBox Premium Runners onto the cabinet side panels by screw-fixing the:

- 3rd screw hole: For Standard Drawers
- 1st screw hole: For Inner Drawers with wooden panel
- 2nd screw hole: For Inner Drawers with aluminium panel

Front gap 1 mm

Note: The 35 kg runner has only one screw hole row in height while the 50 kg. runner has two screw hole rows in height .

Cutting dimensions for panels (panel thickness of 16mm)



A = nominal length - 3mm
 B = internal cabinet width - 62 mm
 C = height

Drawer side height	Rear panel height C
92 mm	69 mm
Railing / height extension side panel / lateral Décor insert holder 92 mm	157 mm

Calculation of the Internal Drawer Space Dimensions

Formula:
 Internal drawer width = External Cabinet width - (2 X side panel thickness) - (2 X installation dimension)

Example (Let's assume that the External Cabinet Width = 600mm and Side Panel Thickness = 19 mm)
 Internal drawer width = 600 - (2X19) - (2X31)
 Internal drawer width = 600 - 38 - 62
 Internal drawer width = 500mm

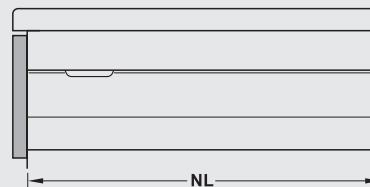
External cabinet width mm	300	400	500	600	800
Side panel thickness mm	Internal drawer width mm				
16	206	306	406	506	706
19	200	300	400	500	700

Internal drawer width e.g:

Formula:
 Internal drawer depth = Nominal length of cabinet runner - Installation dimension - rear panel thickness

Example (If the Nominal Length = 500mm)
 Internal drawer depth = 500 - 3 - 16
 Internal drawer depth = 481mm

Internal Cabinet Depth

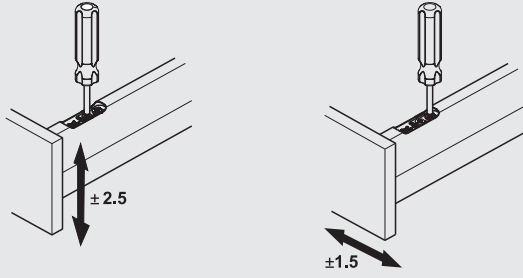


Min. internal cabinet depth = nominal length NL + 3 mm

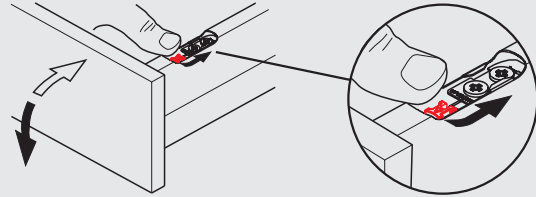
MATRIXBOX PREMIUM

Adjustments

Convenient height and side adjustment from above when installed

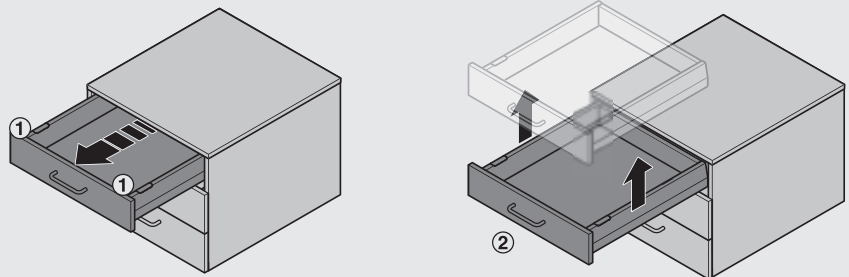
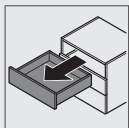
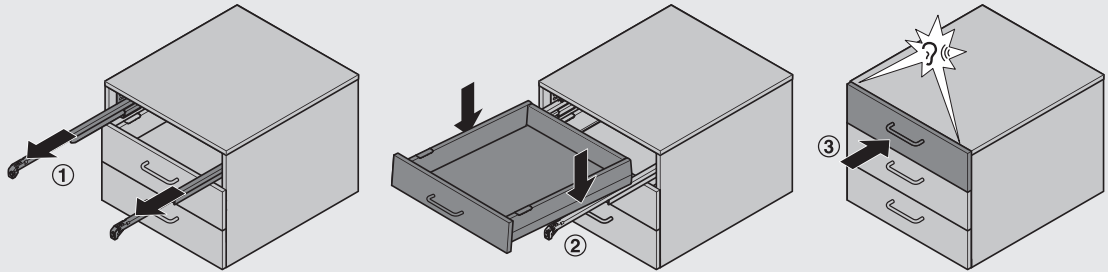
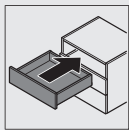


No tools required for mounting and removing the front panel



Note: Side adjustment with 92 mm drawer sides can be done from the right side

Installation and removal of the drawer



MATRIXBOX PREMIUM

How to Order

- Because of its modularity, MatrixBox Premium offers countless design and customisation options.
- Ordering has never been this easy
- The base components that go into a standard drawer configuration, i.e. cabinet runners, drawer sides with rear fixing panels, cover caps and front fixing brackets, remain the same across different configurations and hence have been clubbed into article sets
- To achieve a different application, for e.g. that of a high-fronted drawer pull-out, all you need to do is include add-ons like side railings, glass inserts etc.
- The steps to follow while ordering the desired configuration are defined in the next few pages.

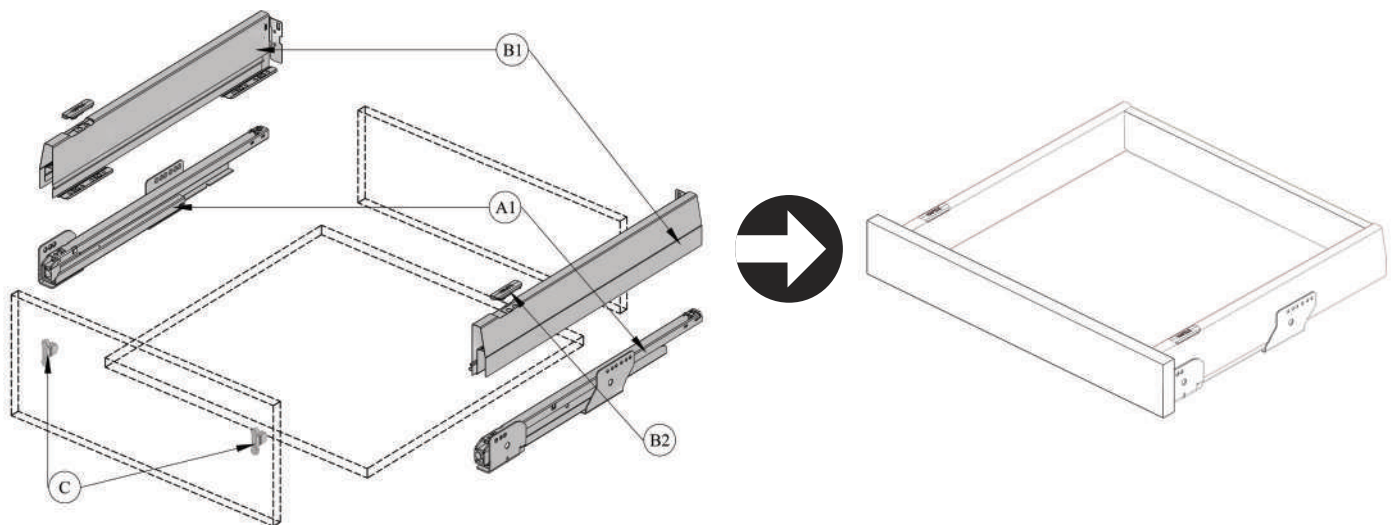
STEP 1 SELECT AN ARTICLE FROM THE BASE DRAWER CONFIGURATION TABLE

MatrixBox Premium - Integrated Soft-Close Sets

Nominal Length (NL) (mm)	With Integrated Soft Close		
	Metallic Silver	Metallic Anthracite	White
Load Bearing Capacity : 35 Kg., Drawer Side Height: 92 mm			
300	513.24.901	513.24.301	513.24.701
350	513.24.902	513.24.302	513.24.702
400	513.24.903	513.24.303	513.24.703
450	513.24.904	513.24.304	513.24.704
500	513.24.905	513.24.306	513.24.705
550	513.24.906	513.24.305	513.24.706
Load Bearing Capacity : 50 Kg., Drawer Side Height: 92 mm			
500	513.24.915	513.24.315	513.24.715
550	513.24.916	513.24.316	513.24.716

The above-mentioned article numbers consist of the following:

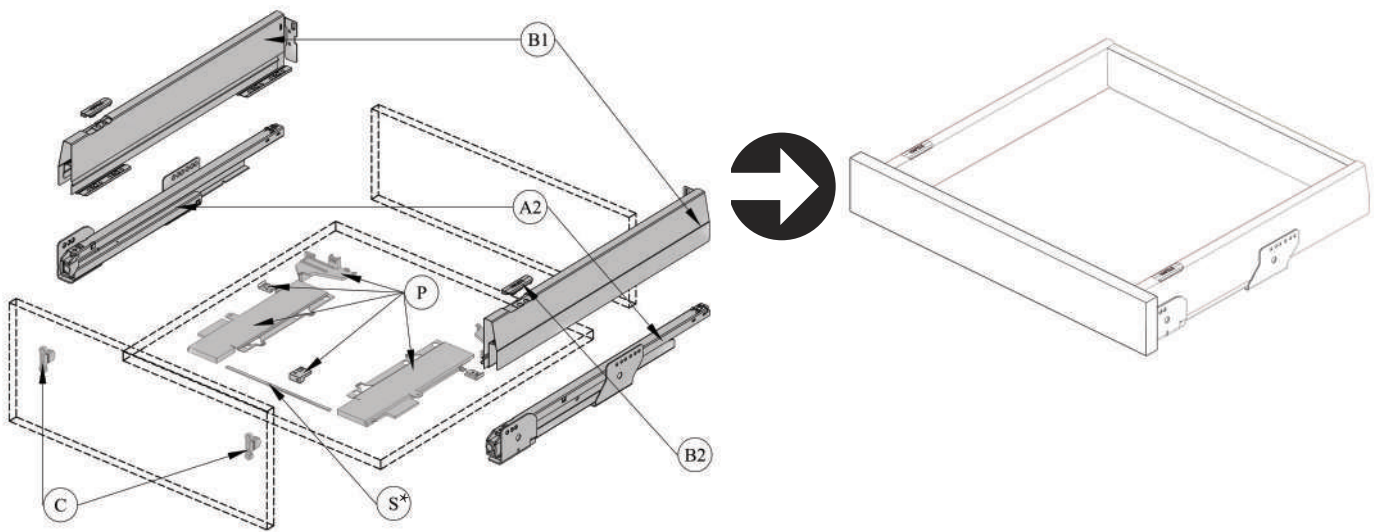
A1	Cabinet Runners with Integrated Soft-Close, Left and Right
B1	Drawer Sides with Rear Panel Brackets, Left and Right
B2	Cover Caps with Hafele Logo, Left and Right
C	Front Fixing Brackets for Screw Fixing, Pair



MatrixBox Premium Push-to-Open Soft-Close Sets:

Nominal Length (NL) (mm)	With Push-to-open Soft Close		
	Metallic Silver	Metallic Anthracite	White
Load Bearing Capacity : 35 Kg., Drawer Side Height: 92 mm			
450	513.24.924	513.24.324	513.24.724
500	513.24.925	513.24.325	513.24.725
550	513.24.926	513.24.326	513.24.726
Load Bearing Capacity : 50 Kg., Drawer Side Height: 92 mm			
500	513.24.935	513.24.335	513.24.735
550	513.24.936	513.24.336	513.24.736

The above-mentioned article numbers consist of the following:	
A2	Cabinet Runners with Push-to-Open Soft-Close, Left and Right
B1	Drawer Sides with Rear Panel Brackets, Left and Right
B2	Cover Caps with Hafele Logo, Left and Right
C	Front Fixing Brackets for Screw Fixing, Pair
P	Push-to-Open Kit



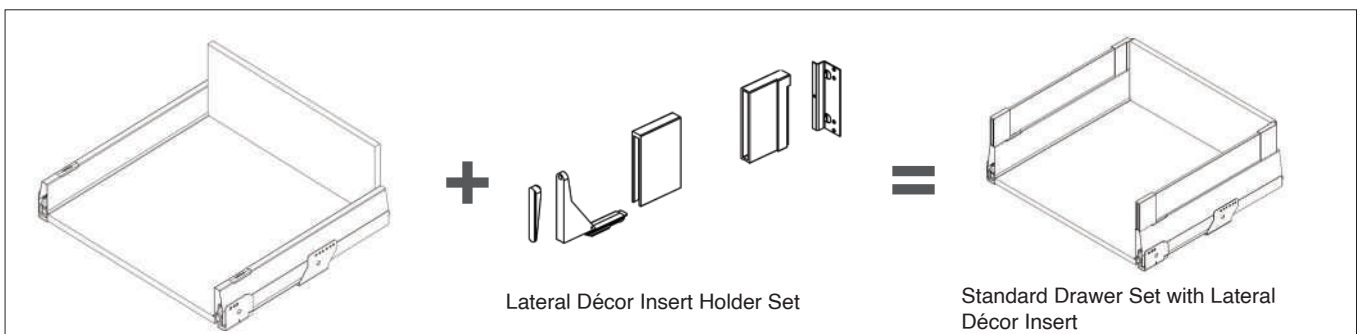
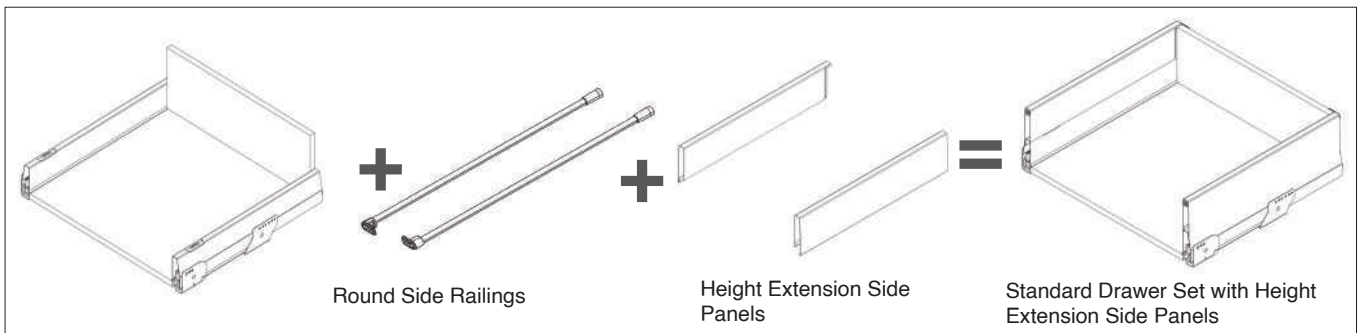
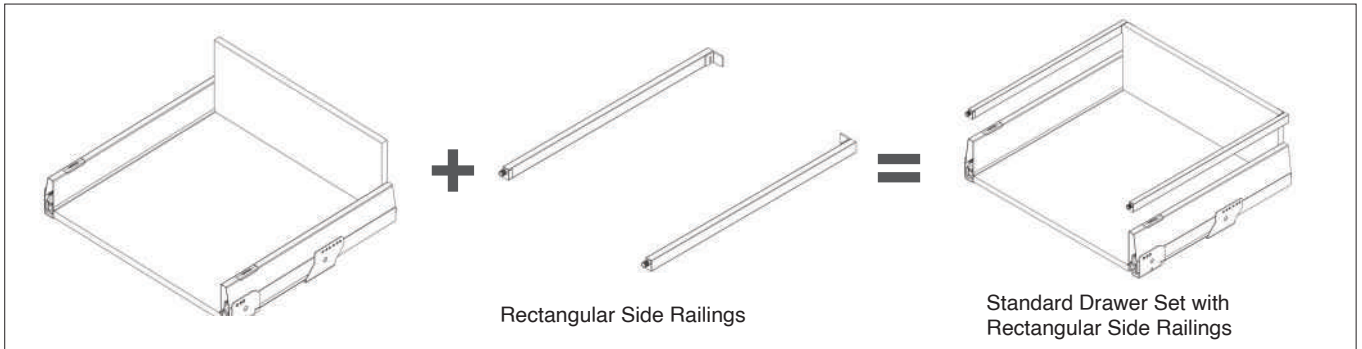
* Synchronisation Rod is not a part of the set and needs to be ordered separately as a mandatory component in assembly.

MATRIXBOX PREMIUM

1

STEP 2 CHOOSE AN ADD-ON ACCESSORY TO ACHIEVE A HIGH-FRONTED DRAWER APPLICATION

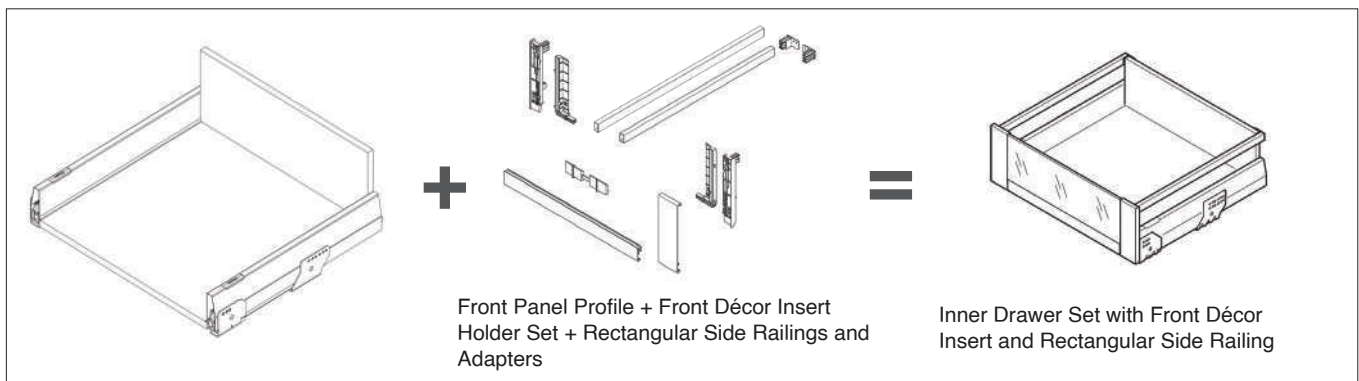
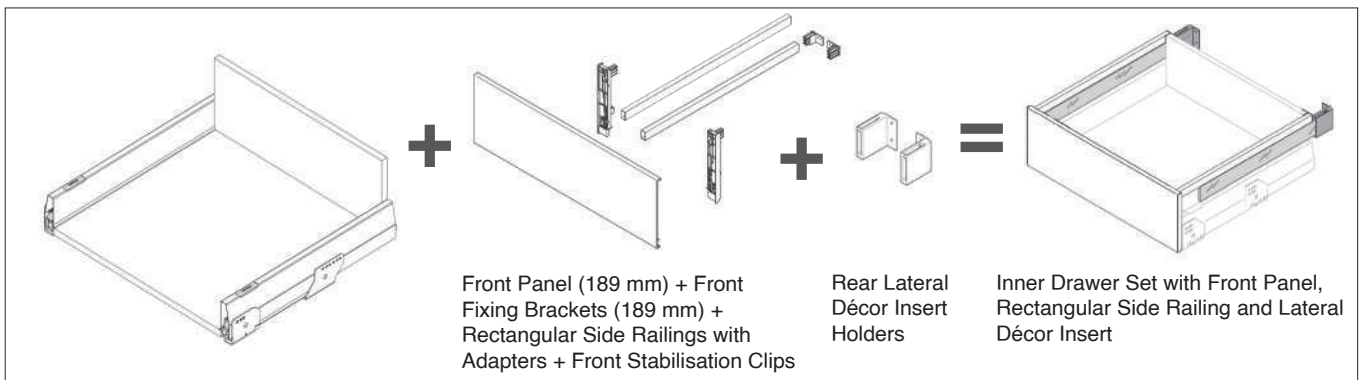
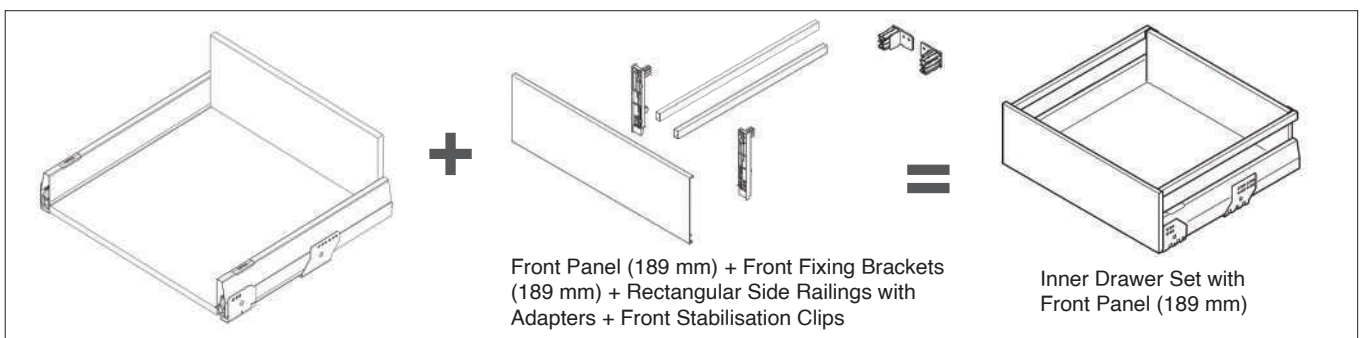
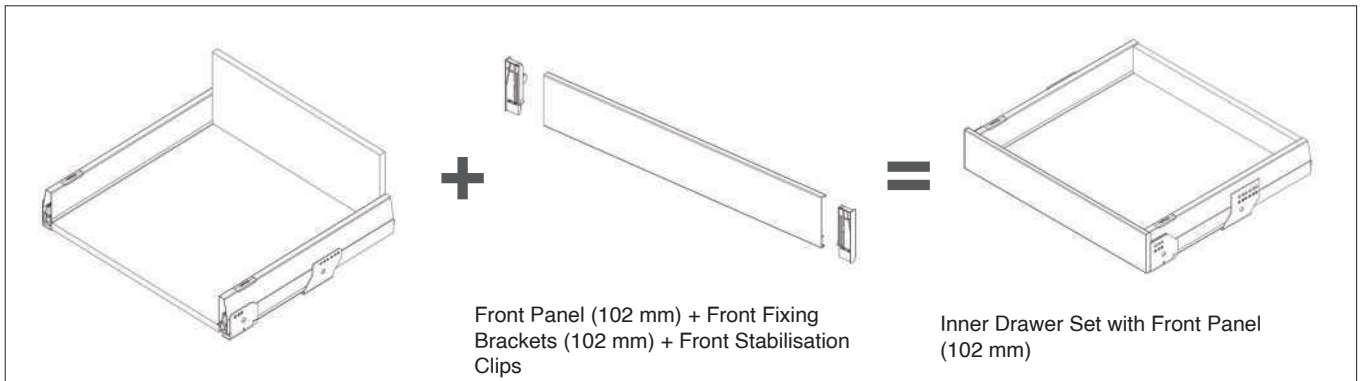
For Standard Drawer Configurations



Note :

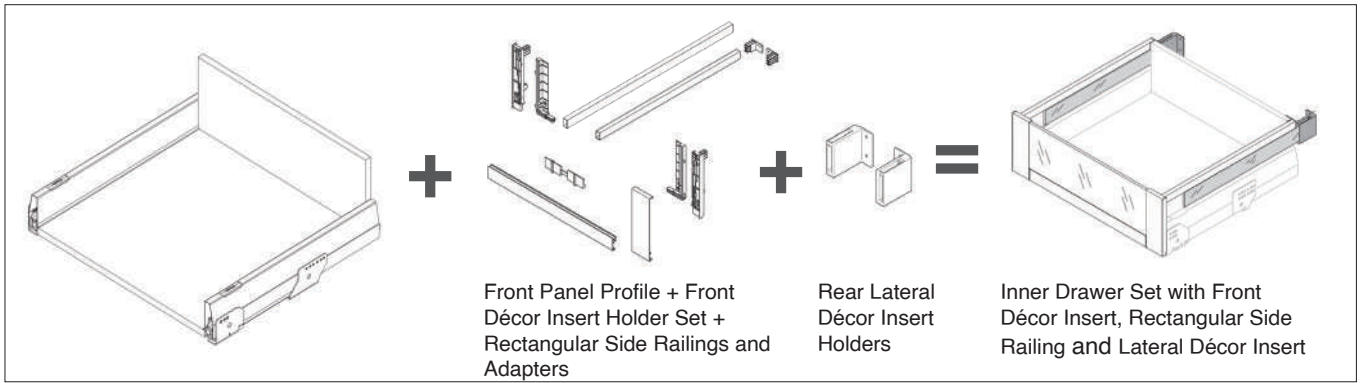
1. Décor inserts are not provided by Häfele. They need to be sourced and prepared separately as per calculations.
2. The above configurations apply for both, Soft-Close and Push-to-Open Soft-Close Applications

For Inner Drawer Configurations

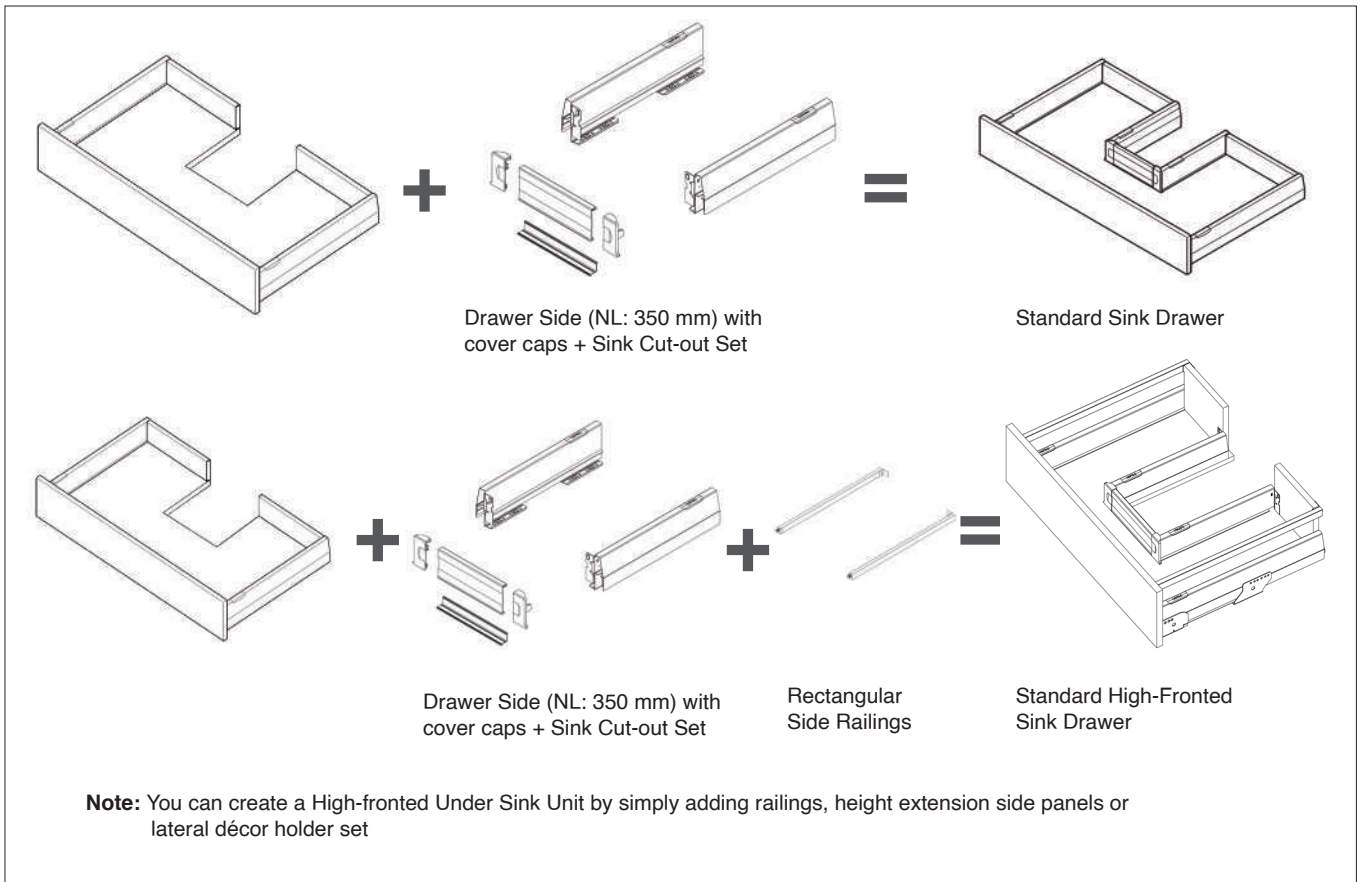


Note:

1. Décor inserts are not provided by Häfele. They need to be sourced and prepared separately as per calculations.
2. The above configurations apply for both, Soft-Close and Push-to-Open Soft-Close Applications



FOR SINK DRAWER (NL: 500 mm)



Note:

1. Décor inserts are not provided by Häfele. They need to be sourced and prepared separately as per calculations.
2. The above configurations apply for both, Soft-Close and Push-to-Open Soft-Close Applications

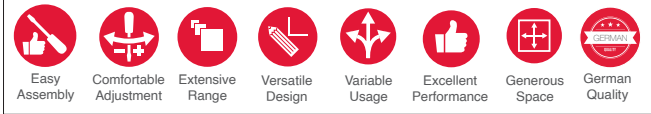
ORDERING INFORMATION

1

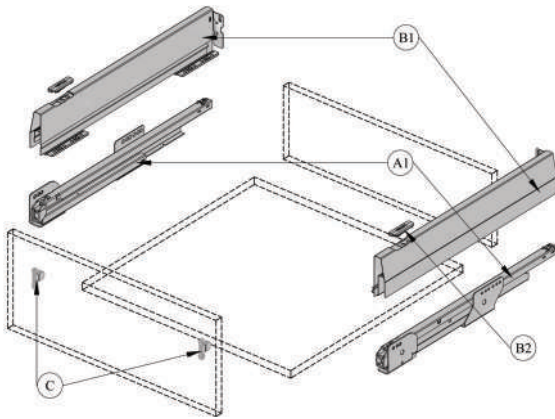
MATRIXBOX PREMIUM - STANDARD DRAWER

1

Standard 92 mm Drawer Set

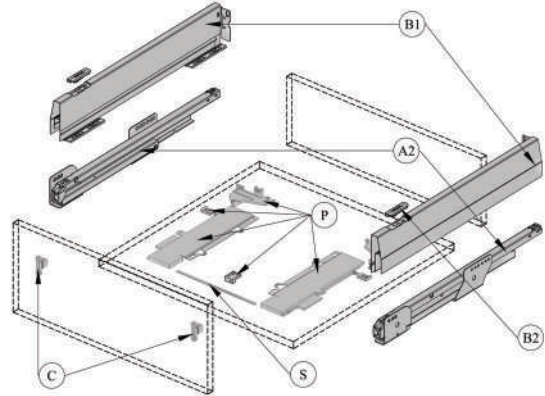


- > Material: Drawer Sides and runners: Steel
- > Finish: Drawer sides: Metallic Anthracite, Metallic Silver and White
- > Runner Technology: With integrated Soft-Close or with Push-to-Open Soft-Close



Soft-Close

A1	Cabinet Runners with Soft-Close
B1	Drawer Sides
B2	Cover Caps
C	Front Fixing Brackets



Push-to-Open Soft-Close

A2	Cabinet Runners with Push-to-Open Soft-Close
B1	Drawer Sides
B2	Cover Caps
C	Front Fixing Brackets
P	Push-to-Open Kit
S	Synchronisation Rod

* Synchronisation Rod is not a part of the BOM set and needs to be ordered separately

Ordering

Sets

Nominal Length (NL) (mm)	Soft-Close			With Push-to-Open Soft-Close		
	Metallic Silver	Metallic Anthracite	White	Metallic Silver	Metallic Anthracite	White
Load Bearing Capacity : 35 Kg., Drawer Side Height: 92 mm						
300	513.24.901	513.24.301	513.24.701	-	-	-
350	513.24.902	513.24.302	513.24.702	-	-	-
400	513.24.903	513.24.303	513.24.703	-	-	-
450	513.24.904	513.24.304	513.24.704	513.24.924	513.24.324	513.24.724
500	513.24.905	513.24.306	513.24.705	513.24.925	513.24.325	513.24.725
550	513.24.906	513.24.305	513.24.706	513.24.926	513.24.326	513.24.726
Load Bearing Capacity : 50 Kg., Drawer Side Height: 92 mm						
500	513.24.915	513.24.315	513.24.715	513.24.935	513.24.335	513.24.735
550	513.24.916	513.24.316	513.24.716	513.24.936	513.24.336	513.24.736

MATRIXBOX PREMIUM - STANDARD DRAWER

Individual Components

A1: Cabinet Runners with Soft-Close		
NL (mm)	Load Bearing Capacity	
	35 kg	50 kg
300	551.50.441	-
350	551.50.442	-
400	551.50.443	-
450	551.50.444	-
500	551.50.445	553.50.425
550	551.50.446	553.50.426

Unit: 1 Pair

B1: Drawer Sides			
NL (mm)	Colour		
	Metallic Silver	Metallic Anthracite	White
300	513.02.901	513.02.301	513.02.701
350	513.02.902	513.02.302	513.02.702
400	513.02.903	513.02.303	513.02.703
450	513.02.904	513.02.304	513.02.704
500	513.02.905	513.02.305	513.02.705
550	513.02.906	513.02.306	513.02.706

Unit: 1 Pair

A2: Cabinet Runners with Push-to-Open Soft-Close		
NL (mm)	Load Bearing Capacity	
	35 kg	50 kg
450	551.50.544	-
500	551.50.545	551.50.525
550	551.50.546	551.50.526

Unit: 1 Pair

B2: Cover Caps	
Colour	Article No.
Metallic Silver	551.61.980
Metallic Anthracite	551.61.380
Solid White	551.61.780

Unit: 1 Pair

C: Front Fixing Bracket	
Fixing	Article No.
Screw-on	553.59.999

Unit: 1 Piece

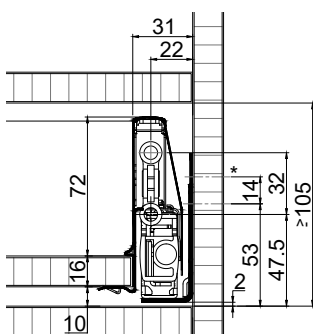
P: Push-to-Open Kit	
1. Push-to-Open Unit, Left and Right	551.80.003
2. Push-to-Open Activator Clip, Right	553.50.996
2. Push-to-Open Activator Clip, Left	553.50.997
3. Push-to-Open Locking Clip, Pair	553.50.999
4. Synchronisation Rod Support	551.80.005

Unit: 1 Kit

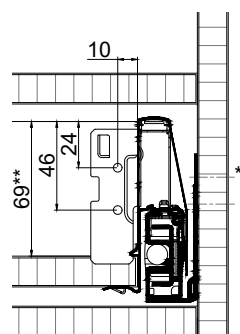
S: Synchronisation Rod	
For cutting to size: Internal cabinet width – 206 mm	
Upto Drawer Width of	Article No.
600 mm	551.90.160
1200 mm	551.90.161

Installation Dimensions

With Integrated Soft-Close

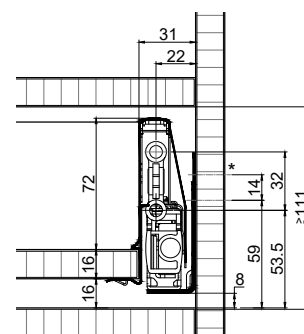


Front, screw-on

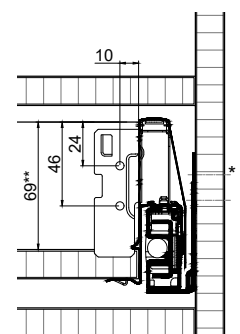


Back

With Push-to-Open Soft-Close



Front, screw-on



Back

* Top row series drilled holes and fixing screws are not required for sets with load bearing capacity of 35 kg.

** Rear panel height

MATRIXBOX PREMIUM - STANDARD DRAWER WITH RECTANGULAR RAILINGS

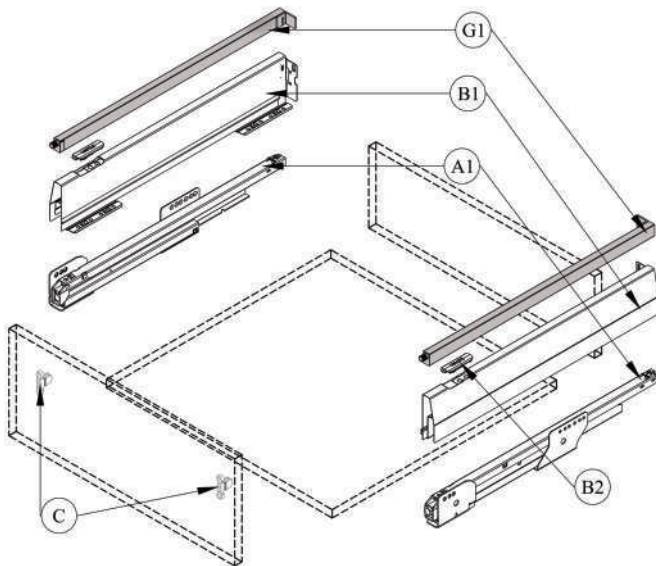
1

Standard 92 mm Drawer Set with Rectangular Side Railings



- > Runner Technology: With integrated Soft-Close or with Push-to-Open Soft-Close
- > Material: Drawer Sides and runners: Steel, Railing holder: Plastic
- > Finish: Drawer sides and railing: Metallic Anthracite, Metallic Silver and White

Components



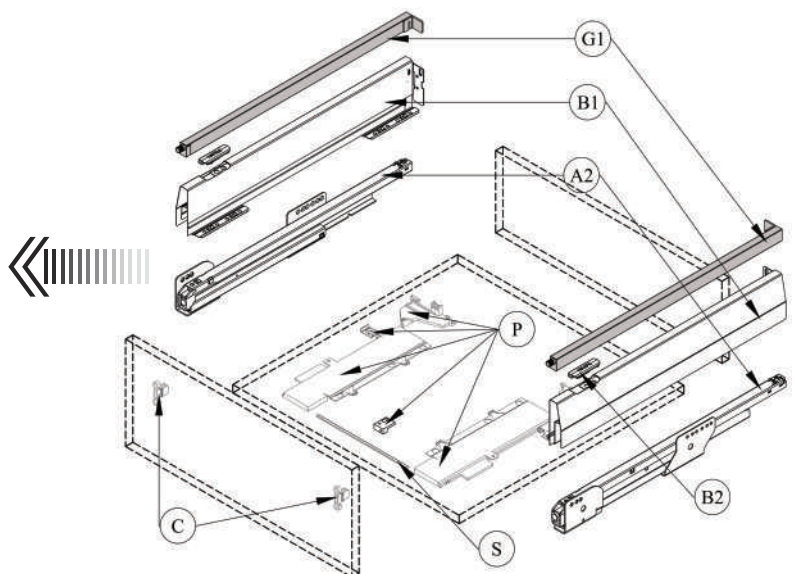
Soft-Close

A1	Cabinet Runners with Soft-Close
B1	Drawer Sides
B2	Cover Caps
C	Front Fixing Brackets
G1	Rectangular Side Railings

Push-to-Open Soft-Close

A2	Cabinet Runners with Push-to-Open Soft-Close
B1	Drawer Sides
B2	Cover Caps
C	Front Fixing Brackets
P	Push-to-Open Kit
S	Synchronisation Rod
G1	Rectangular Side Railings

P: Push-to-Open Kit Consists of: Push-to-Open Unit (Left and Right), Activator Clip (Left and Right), Push-to-Open Locking Clip (Left and Right), and Synchronisation Rod Support



MATRIXBOX PREMIUM - STANDARD DRAWER WITH RECTANGULAR RAILINGS

Ordering

MatrixBox Premium Sets - Pick base drawer configuration sets that best suit your requirements from page 1.09 and 1.10
+ Add-On

G1: Rectangular Side Railings			
Nominal Length (mm)	Colour		
	Metallic Silver	Metallic Anthracite	White
300	551.60.941	551.60.341	551.60.741
350	551.60.942	551.60.342	551.60.742
400	551.60.943	551.60.343	551.60.743
450	551.60.944	551.60.344	551.60.744
500	551.60.945	551.60.345	551.60.745
550	551.60.946	551.60.346	551.60.746

Unit: 1 Pair

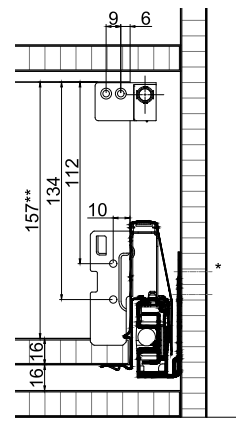
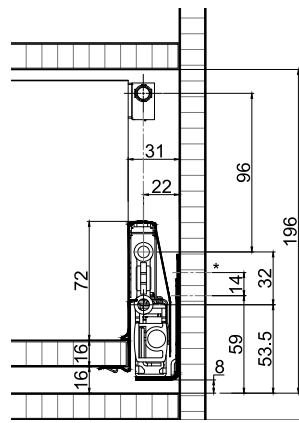
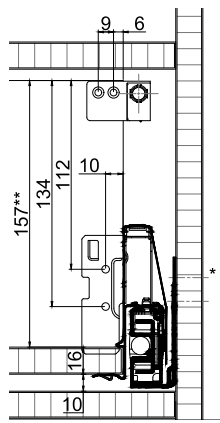
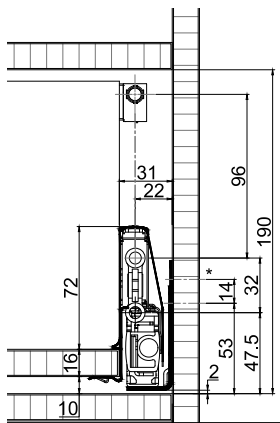
- > Rectangular railing provides distinct aesthetics
- > Colour of railing matches the drawer sides
- > Gallery Dimensions: 13.5 x 22 X Nominal Length (mm)
- > Tilting angle of front panel adjustable by ± 2 mm via the adjusting element in the railing
- > Provides additional stability for high pull-outs



Installation Dimensions

With Integrated Soft-Close

With Push-to-Open Soft-Close



Front, screw-on

Back

Front, screw-on

Back

* Top row series drilled holes and fixing screws are not required for sets with load bearing capacity of 35 kg.
 ** Rear panel height

MATRIXBOX PREMIUM - STANDARD DRAWER WITH ROUND RAILINGS

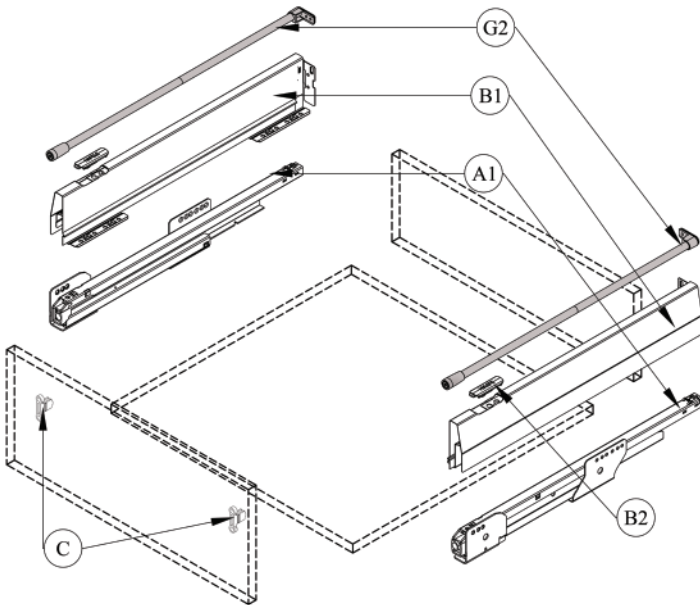
1

Standard 92 mm Drawer Set with Round Side Railings



- > Runner Technology: With integrated Soft-Close or with Push-to-Open Soft-Close
- > Material: Drawer Sides and runners: Steel, Railing holder: Plastic
- > Finish: Drawer sides and railing: Metallic Anthracite, Metallic Silver and White

Components



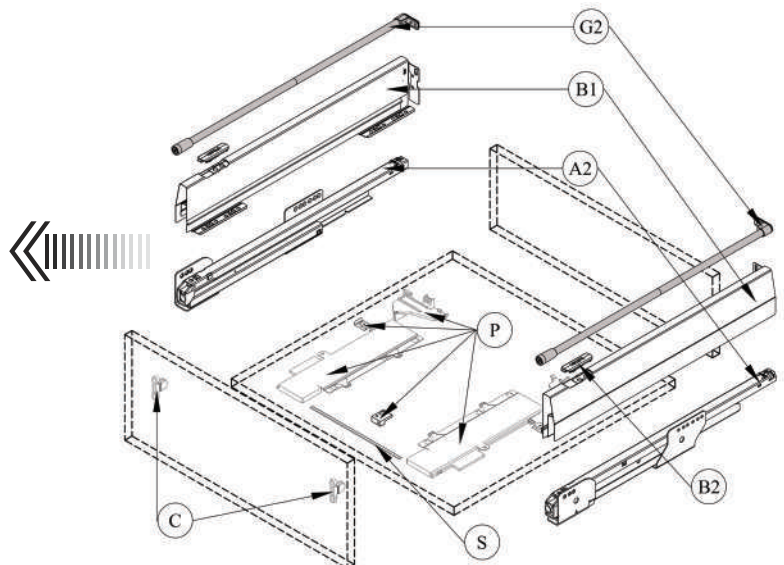
Soft-Close

A1	Cabinet Runners with Soft-Close
B1	Drawer Sides
B2	Cover Caps
C	Front Fixing Brackets
G2	Round Side Railings

Push-to-Open Soft-Close

A2	Cabinet Runners with Push-to-Open Soft-Close
B1	Drawer Sides
B2	Cover Caps
C	Front Fixing Brackets
P	Push-to-Open Kit
S	Synchronisation Rod
G2	Round Side Railings

P: Push-to-Open Kit Consists of: Push-to-Open Unit (Left and Right), Activator Clip (Left and Right), Push-to-Open Locking Clip (Left and Right), and Synchronisation Rod Support



MATRIXBOX PREMIUM - STANDARD DRAWER WITH ROUND RAILINGS

Ordering

MatrixBox Premium Sets - Pick base drawer configuration sets that best suit your requirements from page 1.09 and 1.10
+ Add-On

G2: Round Side Railings			
Nominal Length (mm)	Colour		
	Metallic Silver	Metallic Anthracite	White
450	553.58.994	553.58.394	553.58.794
500	553.58.995	553.58.395	553.58.795
550	553.58.996	553.58.396	553.58.796

Unit: 1 Pair

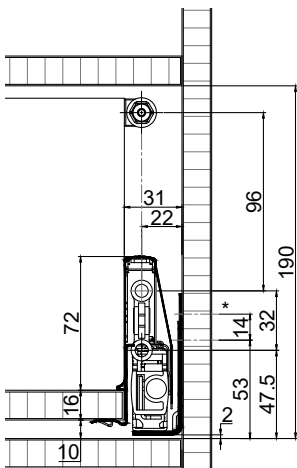
- > Colour of railing matches the drawer sides
- > Gallery Dimension: \varnothing 11 X Nominal Length (mm)
- > Tilting angle of front panel adjustable by ± 2 mm by rotating the side railing
- > Provides additional stability for high pull-outs



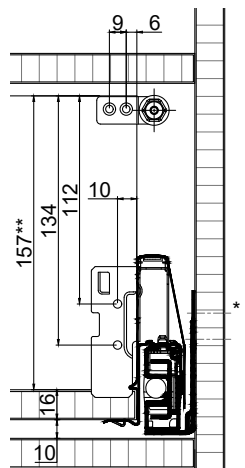
Installation Dimensions

With Integrated Soft-Close

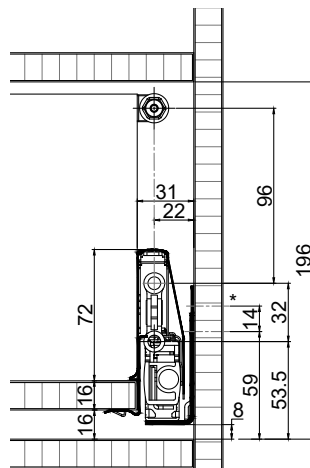
With Push-to-Open Soft-Close



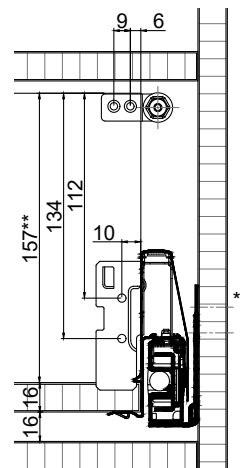
Front, screw-on



Back



Front, screw-on



Back

* Top row series drilled holes and fixing screws are not required for sets with load bearing capacity of 35 kg.

** Rear panel height

MATRIXBOX PREMIUM - STANDARD DRAWER WITH SIDE PANELS

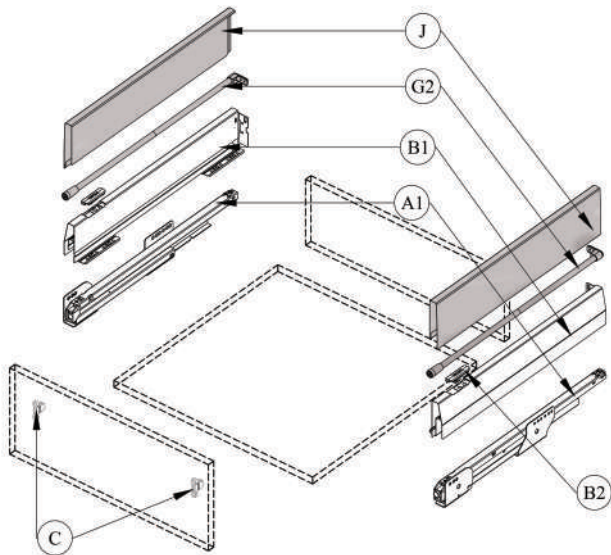
1

Standard 92 mm Drawer Set with Height Extension Side Panels



- > Runner Technology: With integrated Soft-Close or with Push-to-Open Soft-Close
- > Material: Drawer Sides and runners: Steel, Railing holder: Plastic
- > Finish: Drawer sides, railings and height extension panels: Metallic Anthracite, Metallic Silver and White

Components



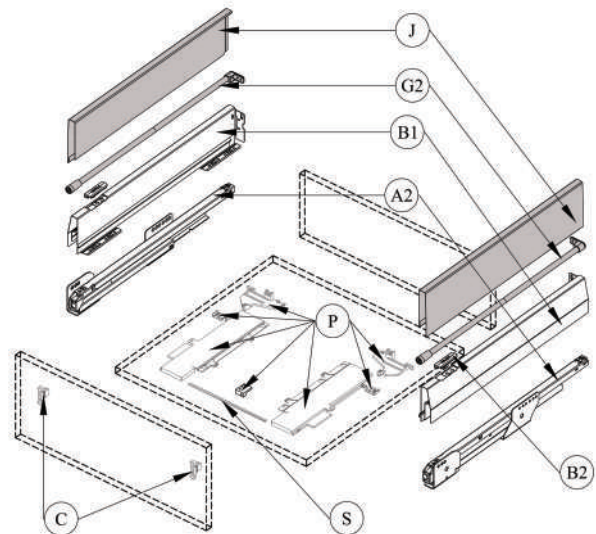
Soft-Close

A1	Cabinet Runners with Soft-Close
B1	Drawer Sides
B2	Cover Caps
C	Front Fixing Brackets
G2	Round Side Railings
J	Height Extension Side Panels

Push-to-Open Soft-Close

A2	Cabinet Runners with Push-to-Open Soft-Close
B1	Drawer Sides
B2	Cover Caps
C	Front Fixing Brackets
P	Push-to-Open Kit
S	Synchronisation Rod
G2	Round Side Railings
J	Height Extension Side Panels

P: Push-to-Open Kit Consists of: Push-to-Open Unit (Left and Right), Activator Clip (Left and Right), Push-to-Open Locking Clip (Left and Right), and Synchronisation Rod Support



MATRIXBOX PREMIUM - STANDARD DRAWER WITH SIDE PANELS

Ordering

MatrixBox Premium Sets - Pick base drawer configuration sets that best suit your requirements from page 1.09 and 1.10
 + Add-Ons

G2: Round Side Railings			
Nominal Length (mm)	Colour		
	Metallic Silver	Metallic Anthracite	White
450	553.58.994	553.58.394	553.58.794
500	553.58.995	553.58.395	553.58.795
550	553.58.996	553.58.396	553.58.796

Unit: 1 Pair

J: Height Extension Side Panels			
Nominal Length (mm)	Colour		
	Metallic Silver	Metallic Anthracite	White
450	551.60.914	551.60.314	551.60.614
500	551.60.915	551.60.315	551.60.615
550	551.60.916	551.60.316	551.60.616

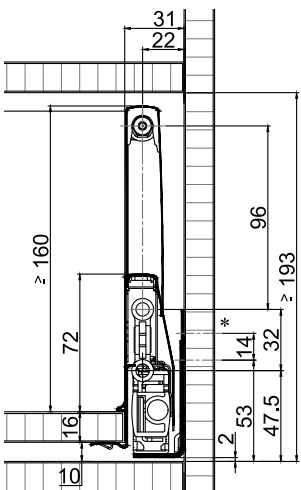
Unit: 1 Pair

- > Prerequisite : Pull out with round side railing
- > Installation: For clipping onto railing and drawer sides (when observing the given installation height)
- > Helps increasing the height of the enclosed internal space of the pull out by 88 mm to a total height of 160 mm
- > Tilting angle of front panel adjustable by ±2 mm by rotating the round railing
- > Matches the colour of the drawer sides

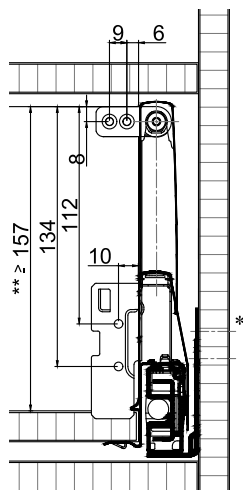


Installation Dimensions

With Integrated Soft-Close

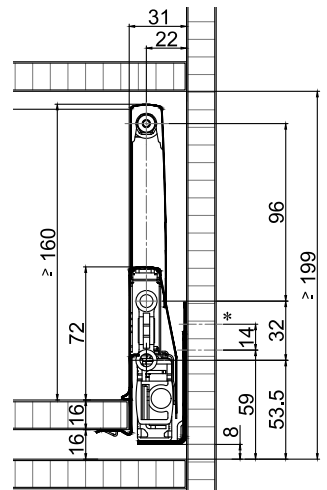


Front, screw-on

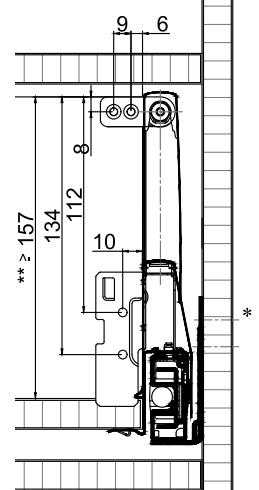


Back

With Push-to-Open Soft-Close



Front, screw-on



Back

* Top row series drilled holes and fixing screws are not required for sets with load bearing capacity of 35 kg.

** Rear panel height

MATRIXBOX PREMIUM - STANDARD DRAWER WITH LATERAL INSERTS



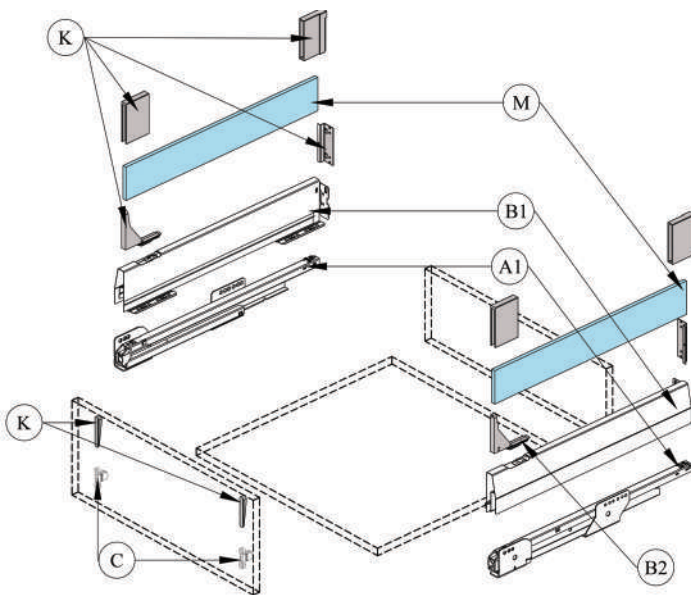
1

Standard 92 mm Drawer Set with Lateral Inserts



- > Runner Technology: With integrated Soft-Close or with Push-to-Open Soft-Close
- > Material: Drawer Sides and runners: Steel, Lateral décor insert holder: Plastic, Die-cast Steel
- > Finish: Drawer sides and lateral décor insert holder: Powder coated, Cabinet runner: Zinc plated

Components



Soft-Close

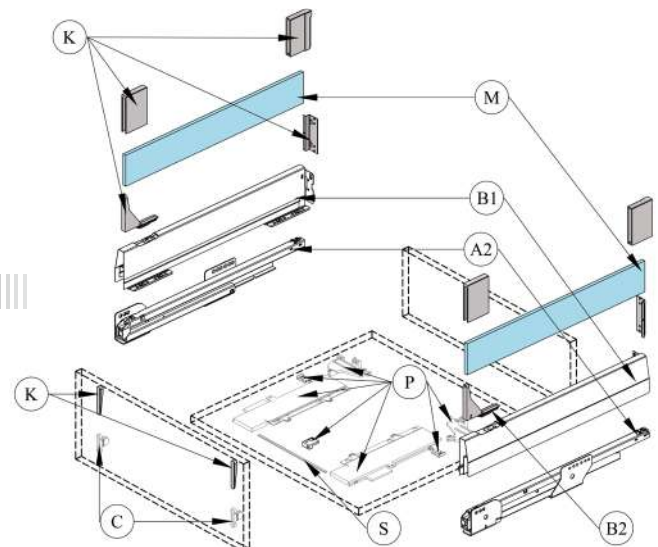
A1	Cabinet Runners with Soft-Close
B1	Drawer Sides
B2	Cover Caps
C	Front Fixing Brackets
K	Lateral Décor Insert Holder Kit
M	Lateral Décor Insert

- K: Lateral Décor Insert Holder Kit Consists of:**
- Cover Caps for Front Insert Holders, Left and Right
 - Cover Caps for Rear Insert Holders, Left and Right
 - Insert Holders with Tension Spring and Adjustable Screws for Front Brackets, Left and Right
 - Rear Fixing Brackets, Left and Right
 - Front Brackets

Push-to-Open Soft-Close

A2	Cabinet Runners with Push-to-Open Soft-Close
B1	Drawer Sides
B2	Cover Caps
C	Front Fixing Brackets
P	Push-to-Open Kit
S	Synchronisation Rod
K	Lateral Décor Insert Holder Kit
M	Lateral Décor Insert

- P: Push-to-Open Kit Consists of:**
 Push-to-Open Unit (Left and Right), Activator Clip (Left and Right), Push-to-Open Locking Clip (Left and Right), and Synchronisation Rod Support



MATRIXBOX PREMIUM - STANDARD DRAWER WITH LATERAL INSERTS

Ordering

MatrixBox Premium Sets - Pick base drawer configuration sets that best suit your requirements from page 1.09 and 1.10
+ Add-On

K: Lateral Décor Insert Holder Set		
Colour		
Metallic Silver	Metallic Anthracite	White
551.60.599	551.60.999	553.60.699

Unit: 1 Set

- > Installation: For placing onto drawer sides, for screw-fixing to drawer front panel and rear panel, cover caps for plug fitting
- > For individual Lateral Décor Insert with material thickness of 8 mm. Décor Inserts can be made from materials like glass, wood, acrylic, surfaces etc.
- > Tilting angle of the drawer front panel can be adjusted by ± 2 mm using the slotted screw at Lateral Décor Insert Holder
- > Matches the colour of the drawer sides
- > Provides additional stability for high pull-outs
- > Lateral Décor Insert Dimensions: Height: 82 mm, Length = Nominal Length of Cabinet Runner - 45 mm

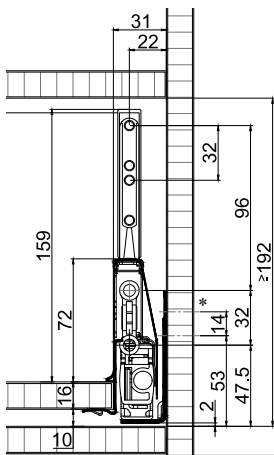


Note: Décor inserts are not provided by Häfele. They need to be sourced and prepared separately as per calculations.

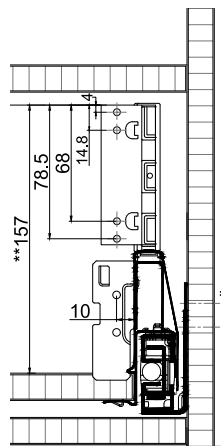
Installation Dimensions

With Integrated Soft-Close

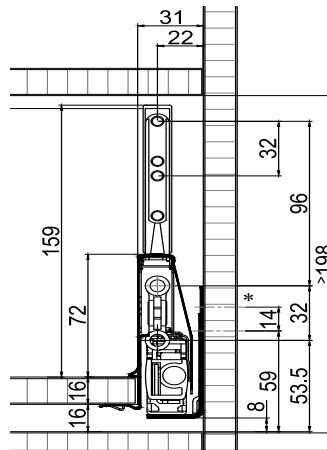
With Push-to-Open Soft-Close



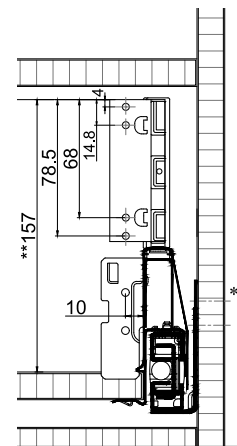
Front, screw-on



Back



Front, screw-on



Back

* Top row series drilled holes and fixing screws are not required for sets with load bearing capacity of 35 kg.

** Rear panel height

MATRIXBOX PREMIUM - INNER DRAWER WITH FRONT PANEL

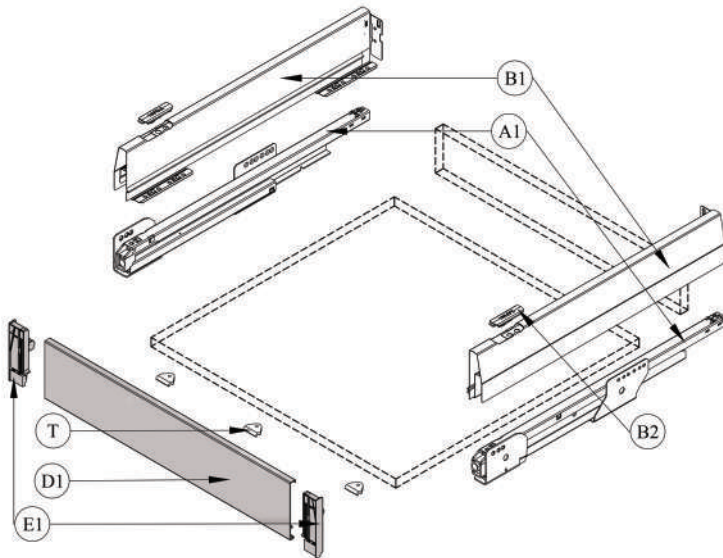
1

92 mm Inner Drawer Set with Front Panel



- > Runner Technology: With integrated Soft-Close or with Push-to-Open Soft-Close
- > Material: Drawer Sides and runners: Steel, Front panel: Aluminium, Inner drawer front fixing bracket: Plastic
- > Finish: Drawer sides and Front panel: Metallic Anthracite, Metallic Silver and White

Components



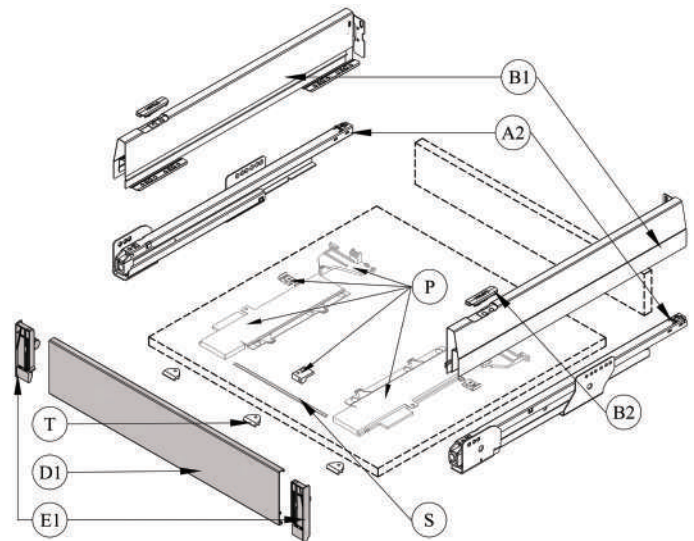
Soft-Close

A1	Cabinet Runners with Soft-Close
B1	Drawer Sides
B2	Cover Caps
D1	Inner Drawer Front Panels (102 mm)
E1	Inner Drawer Front Fixing Brackets (102 mm)
T	Front Stabilisation Clips

Push-to-Open Soft-Close

A2	Cabinet Runners with Push-to-Open Soft-Close
B1	Drawer Sides
B2	Cover Caps
P	Push-to-Open Kit
S	Synchronisation Rod
D1	Inner Drawer Front Panels (102 mm)
E1	Inner Drawer Front Fixing Brackets (102 mm)
T	Front Stabilisation Clips

P: Push-to-Open Kit Consists of: Push-to-Open Unit (Left and Right), Activator Clip (Left and Right), Push-to-Open Locking Clip (Left and Right), and Synchronisation Rod Support



MATRIXBOX PREMIUM - INNER DRAWER WITH FRONT PANEL

Ordering

MatrixBox Premium Sets - Pick base drawer configuration sets that best suit your requirements from page 1.09 and 1.10
+ Add-Ons

Inner Drawer Solid Front Kit - 102 mm (D1 + E1 + T)

Upto Cabinet Width (mm)	Colour		
	Metallic Silver	Metallic Anthracite	White
600*	513.70.912	513.70.312	513.70.712
1200**	513.70.918	513.70.318	513.70.718

*Consists of: Inner Drawer Front Panel (102 mm) x 1 Piece, Inner Drawer Front Fixing Brackets (102 mm) x 1 Pair, Front Stabilisation Clip x 1 Piece
 **Consists of: Inner Drawer Front Panel (102 mm) x 1 Piece, Inner Drawer Front Fixing Brackets (102 mm) x 1 Pair, Front Stabilisation Clip x 3 Pieces

D1: Inner Drawer Front Panel (102 mm)

Colour	Cabinet Width: 600 mm	Cabinet Width: 1200 mm
Metallic Silver	513.70.911	513.70.919
Metallic Anthracite	513.70.311	513.70.319
Solid White	513.70.711	513.70.719

Unit: 1 Piece

E1: Inner Drawer Front Fixing Brackets (102 mm)

Colour	Article No.
Metallic Silver	513.70.992
Metallic Anthracite	513.70.392
Solid White	513.70.792

Unit: 1 Pair

T: Front Stabilisation Clip

Colour	Article No.
White	553.61.780

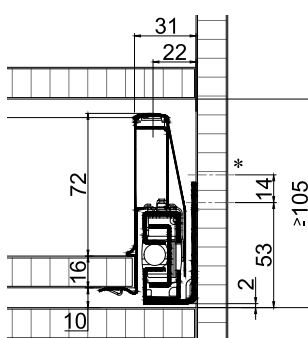
Unit: 1 Piece

- > Installation: Inner Drawer Front Fixing Bracket to be screw-fixed to the Front Panel. The Front Panel is clipped onto the Drawer Sides with help of the Front Fixing Brackets
- > Front Panel can be cut-to-size
- > Match the colour of the drawer sides
- > Front Panel dimensions: Height: 102 mm, Length = Internal cabinet width - 10 mm

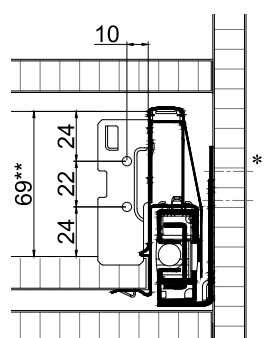


Installation Dimensions

With Integrated Soft-Close

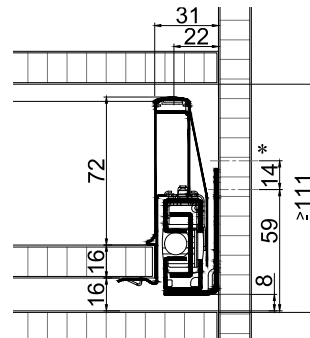


Front, screw-on

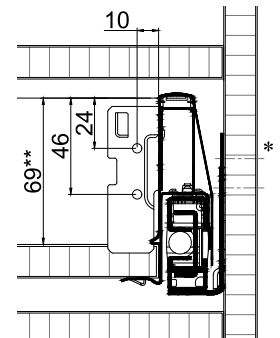


Back

With Push-to-Open Soft-Close



Front, screw-on



Back

* Top row series drilled holes and fixing screws are not required for sets with load bearing capacity of 35 kg.
 ** Rear panel height

MATRIXBOX PREMIUM - INNER DRAWER WITH FRONT PANEL + RECTANGULAR RAILINGS

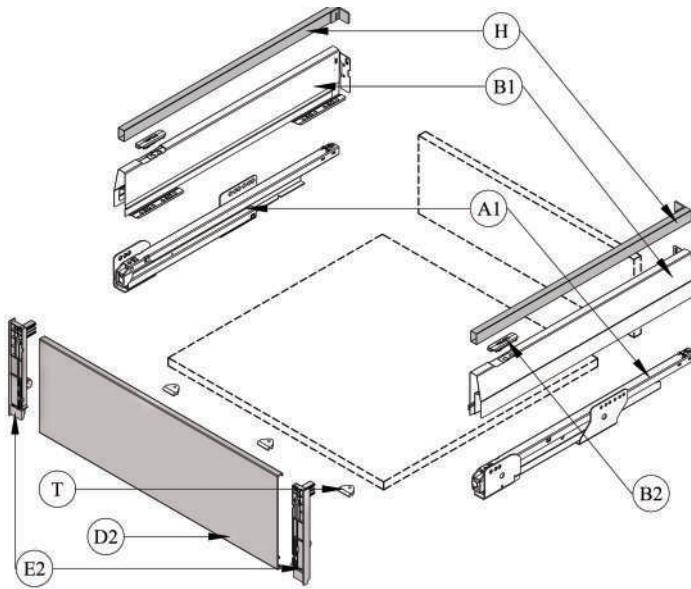
1

92 mm Inner Drawer Set with Front Panel and Rectangular Side Railings



- > Runner Technology: With integrated Soft-Close or with Push-to-Open Soft-Close
- > Material: Drawer Sides, runners and railings: Steel, Front panel: Aluminium, Inner drawer front fixing bracket: Plastic
- > Finish: Drawer sides, side railings and front panel: Metallic Anthracite, Metallic Silver and White

Components



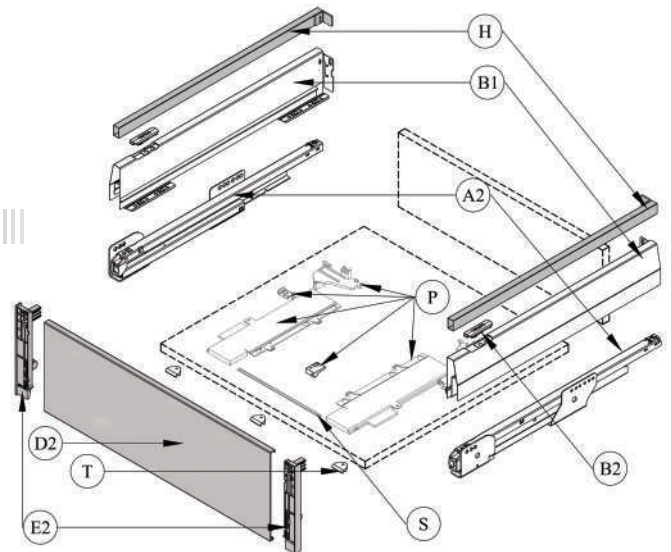
Soft-Close

A1	Cabinet Runners with Soft-Close
B1	Drawer Sides
B2	Cover Caps
D2	Inner Drawer Front Panel (189 mm)
E2	Inner Drawer Front Fixing Brackets (189 mm)
H	Rectangular Side Railings and Adapters for Inner Drawer
T	Front Stabilisation Clip

Push-to-Open Soft-Close

A2	Cabinet Runners with Push-to-Open Soft-Close
B1	Drawer Sides
B2	Cover Caps
P	Push-to-Open Kit
S	Synchronisation Rod
D2	Inner Drawer Front Panel (189 mm)
E2	Inner Drawer Front Fixing Brackets (189 mm)
H	Rectangular Side Railings and Adapters for Inner Drawer
T	Front Stabilisation Clips

P: Push-to-Open Kit Consists of:
 Push-to-Open Unit (Left and Right), Activator Clip (Left and Right), Push-to-Open Locking Clip (Left and Right), and Synchronisation Rod Support



MATRIXBOX PREMIUM - INNER DRAWER WITH FRONT PANEL + RECTANGULAR RAILINGS

Ordering

MatrixBox Premium Sets - Pick base drawer configuration sets that best suit your requirements from page 1.09 and 1.10

+ Add-Ons

Inner Drawer Solid Front Kit - 189 mm (D2 + E2 + H + T)			
Drawer Depth (mm)	Colour		
	Metallic Silver	Metallic Anthracite	White
Upto 600 mm Cabinet Width*			
450	513.42.964	513.42.364	513.42.764
500	513.42.965	513.42.365	513.42.765
550	513.42.966	513.42.366	513.42.766
Upto 1200 mm Cabinet Width**			
450	513.42.984	513.42.384	513.42.784
500	513.42.985	513.42.385	513.42.785
550	513.42.986	513.42.386	513.42.786

*Consists of: Inner Drawer Front Panel (189 mm) x 1 Piece, Inner Drawer Front Fixing Brackets (189 mm) x 1 Pair, Rectangular Side Railings x 1 Pair, Back Adapters x 1 Pair and Front Stabilisation Clip x 1 Piece

**Consists of: Inner Drawer Front Panel (189 mm) x 1 Piece, Inner Drawer Front Fixing Brackets (189 mm) x 1 Pair, Rectangular Side Railings x 1 Pair, Back Adapters x 1 Pair and Front Stabilisation Clip x 3 Pieces

D2: Inner Drawer Front Panel (189 mm)		
Colour	Width: 600 mm	Width: 1200 mm
Silver	513.70.921	513.70.929
Anthracite	513.70.321	513.70.329
White	513.70.721	513.70.729

Unit: 1 Piece

E2: Inner Drawer Front Fixing Brackets (189 mm)	
Colour	Article No.
Metallic Silver	513.70.993
Metallic Anthracite	513.70.393
Solid White	513.70.793

Unit: 1 Pair

T: Front Stabilisation Clip	
Colour	Article No.
White	553.61.780

Unit: 1 Piece

H: Rectangular Side Railings for Inner Drawer			
NL (mm)	Silver	Anthracite	White
450	513.71.914	513.71.314	513.71.714
500	513.71.915	513.71.315	513.71.715
550	513.71.916	513.71.316	513.71.716

Unit: 1 Pair

H: Back Adapters for Inner Drawer	
Colour	Article No.
Silver	513.71.990
Anthracite	513.71.390
White	513.71.790

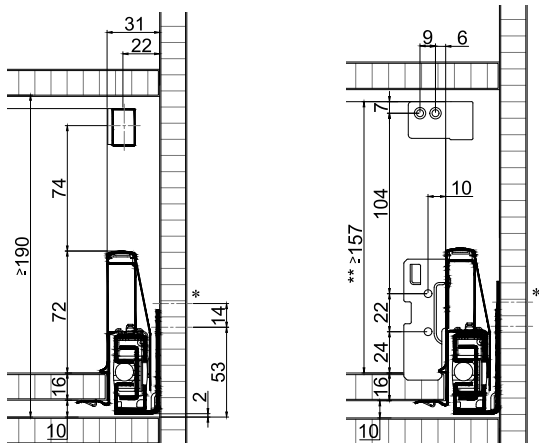
Unit: 1 Pair

- > Installation: Front Fixing Bracket to be screw-fixed to the Front Panel. The Front Panel is clipped onto the Drawer Sides with help of the Front Fixing Bracket. Rectangular Side Railings are inserted into the Front Fixing Bracket
- > Front Panel can be cut-to-size
- > Match the colour of the drawer sides
- > Front Panel dimensions: Height: 189 mm, Length = Internal cabinet width - 10 mm



Installation Dimensions

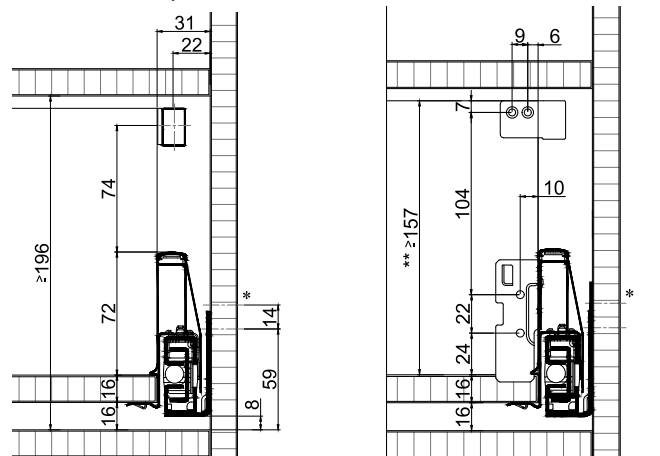
With Integrated Soft-Close



Front, screw-on

Back

With Push-to-Open Soft-Close



Front, screw-on

Back

* Top row series drilled holes and fixing screws are not required for sets with load bearing capacity of 35 kg.
 ** Rear panel height

MATRIXBOX PREMIUM - INNER DRAWER WITH FRONT PANEL + RECTANGULAR RAILING + LATERAL INSERTS

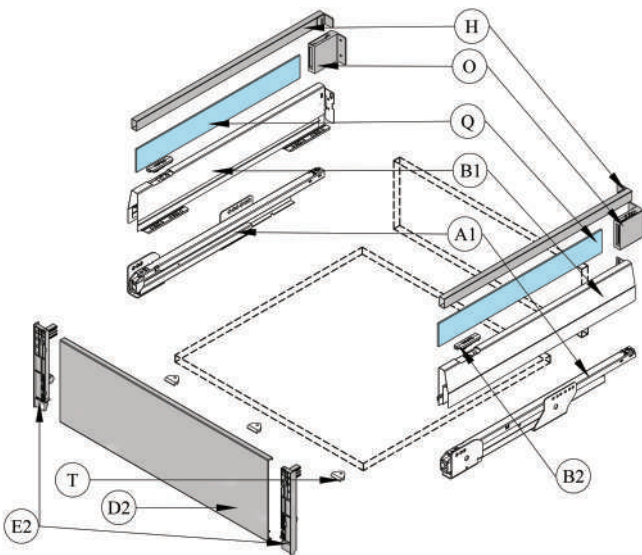
1

92 mm Inner Drawer Set with Front Panel, Rectangular Side Railings and Rear Lateral Décor Insert Holders



- > Runner Technology: With integrated Soft-Close or with Push-to-Open Soft-Close
- > Material: Drawer Sides, runners and railings: Steel, Front panel: Aluminium, Inner drawer front fixing bracket and rear lateral décor Insert holder: Plastic
- > Finish: Drawer sides, side railings, front panel and rear lateral decor insert holder: Metallic Anthracite, Metallic Silver and White

Components



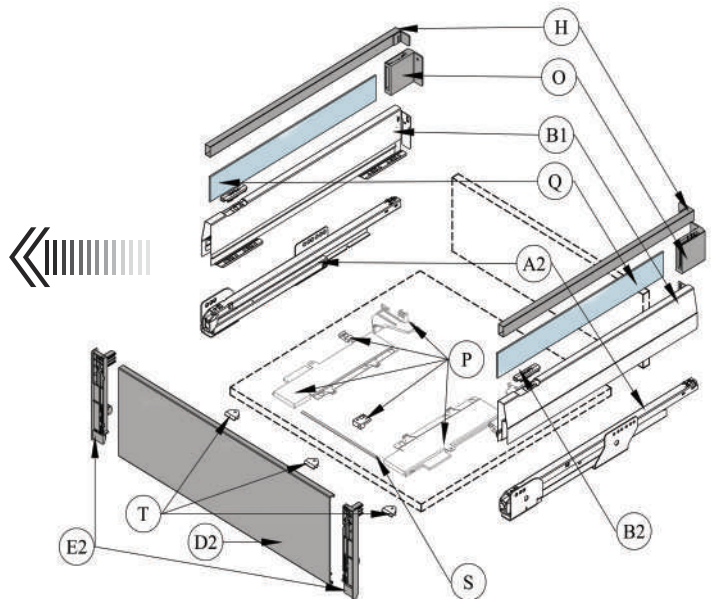
Soft-Close

A1	Cabinet Runners with Soft-Close
B1	Drawer Sides
B2	Cover Caps
D2	Inner Drawer Front Panels (189 mm)
E2	Inner Drawer Front Fixing Brackets (189 mm)
H	Rectangular Side Railings and Adapters for Inner Drawer
O	Rear Lateral Décor Insert Holder
Q	Lateral Décor Insert for Inner Drawers
T	Front Stabilisation Clips

Push-to-Open Soft-Close

A2	Cabinet Runners with Push-to-Open Soft-Close
B1	Drawer Sides
B2	Cover Caps
P	Push-to-Open Kit
S	Synchronisation Rod
D2	Inner Drawer Front Panels (189 mm)
E2	Inner Drawer Front Fixing Brackets (189 mm)
H	Rectangular Side Railings and Adapters for Inner Drawer
O	Rear Lateral Décor Insert Holder
Q	Lateral Décor Insert for Inner Drawers
T	Front Stabilisation Clips

P: Push-to-Open Kit Consists of:
 Push-to-Open Unit (Left and Right), Activator Clip (Left and Right), Push-to-Open Locking Clip (Left and Right), and Synchronisation Rod Support



MATRIXBOX PREMIUM - INNER DRAWER WITH FRONT PANEL + RECTANGULAR RAILING + LATERAL INSERTS

Ordering

MatrixBox Premium Sets - Pick base drawer configuration sets that best suit your requirements from page 1.09 and 1.10 + Add-Ons

Inner Drawer Solid Front Kit - 189 mm (D2 + E2 + H + T)			
Drawer Depth (mm)	Colour		
	Metallic Silver	Metallic Anthracite	White
Upto 600 mm Cabinet Width*			
450	513.42.964	513.42.364	513.42.764
500	513.42.965	513.42.365	513.42.765
550	513.42.966	513.42.366	513.42.766
Upto 1200 mm Cabinet Width**			
450	513.42.984	513.42.384	513.42.784
500	513.42.985	513.42.385	513.42.785
550	513.42.986	513.42.386	513.42.786

*Consists of: Inner Drawer Front Panel (189 mm) x 1 Piece, Inner Drawer Front Fixing Brackets (189 mm) x 1 Pair, Rectangular Side Railings x 1 Pair, Back Adapters x 1 Pair and Front Stabilisation Clip x 1 Piece

**Consists of: Inner Drawer Front Panel (189 mm) x 1 Piece, Inner Drawer Front Fixing Brackets (189 mm) x 1 Pair, Rectangular Side Railings x 1 Pair, Back Adapters x 1 Pair and Front Stabilisation Clips x 3 Pieces

O: Rear Lateral Décor Insert Holder	
Colour	Article No.
Metallic Silver	513.72.999
Metallic Anthracite	513.72.399
Solid White	513.72.799

Unit: 1 Pair

> Installation: The Rear Lateral Décor Insert Holder is screw-fixed to the rear panel
 > Matches the colour of the drawer sides

D2: Inner Drawer Front Panel (189 mm)		
Colour	Width: 600 mm	Width: 1200 mm
Silver	513.70.921	513.70.929
Anthracite	513.70.321	513.70.329
White	513.70.721	513.70.729

Unit: 1 Piece

E2: Inner Drawer Front Fixing Brackets (189 mm)	
Colour	Article No.
Metallic Silver	513.70.993
Metallic Anthracite	513.70.393
Solid White	513.70.793

Unit: 1 Pair

T: Front Stabilisation Clip	
Colour	Article No.
White	553.61.780

Unit: 1 Piece

H: Back Adapters for Inner Drawer	
Colour	Article No.
Silver	513.71.990
Anthracite	513.71.390
White	513.71.790

Unit: 1 Pair

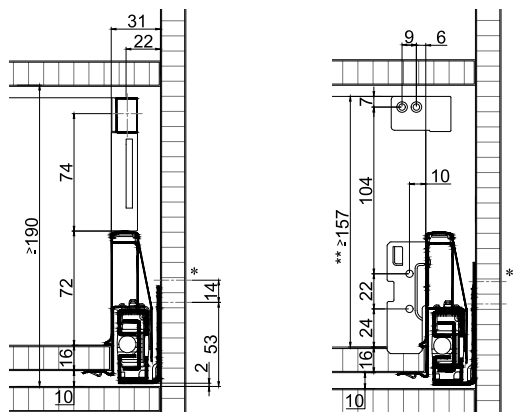
H: Rectangular Side Railings for Inner Drawer			
NL (mm)	Silver	Anthracite	White
450	513.71.914	513.71.314	513.71.714
500	513.71.915	513.71.315	513.71.715
550	513.71.916	513.71.316	513.71.716

Unit: 1 Pair

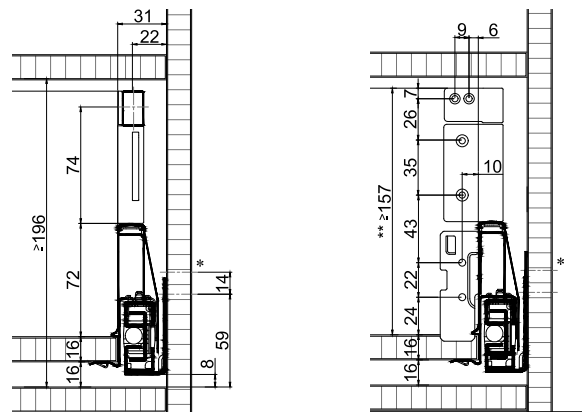
Note: Décor inserts are not provided by Häfele. They need to be sourced and prepared separately as per calculations.

Installation Dimensions

With Integrated Soft-Close



With Push-to-Open Soft-Close



* Top row series drilled holes and fixing screws are not required for sets with load bearing capacity of 35 kg.
 ** Rear panel height

MATRIXBOX PREMIUM - INNER DRAWER WITH FRONT INSERT + RECTANGULAR RAILINGS

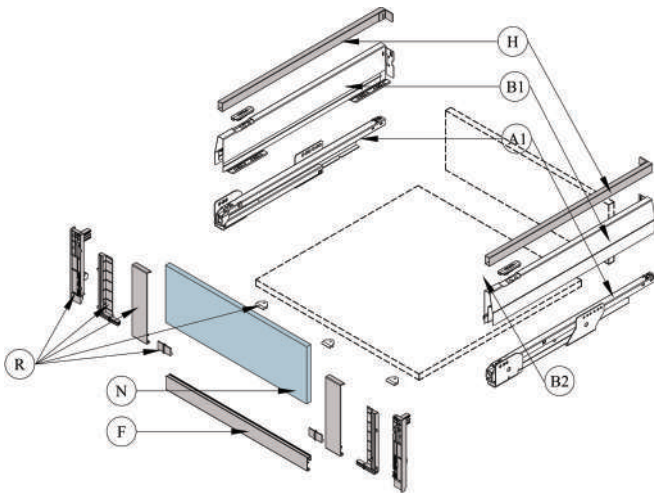
1

92 mm Inner Drawer Set for Front Décor Insert Holder Kit and Rectangular Side Railings



- > Runner Technology: With integrated Soft-Close or with Push-to-Open Soft-Close
- > Material: Drawer Sides, runners and railings: Steel, Front panel Profile: Aluminium, Front décor Insert holder kit: Plastic
- > Finish: Drawer sides, side railings and front panel profile: Metallic Anthracite, Metallic Silver and White

Components



Soft-Close

A1	Cabinet Runners with Soft-Close
B1	Drawer Sides
B2	Cover Caps
F	Front Panel Profile
R	Front Décor Insert Holder Kit
N	Front Décor Insert
H	Rectangular Side Railings and Adapters for Inner Drawer

R: Front Décor Insert Holder Kit Consists of:

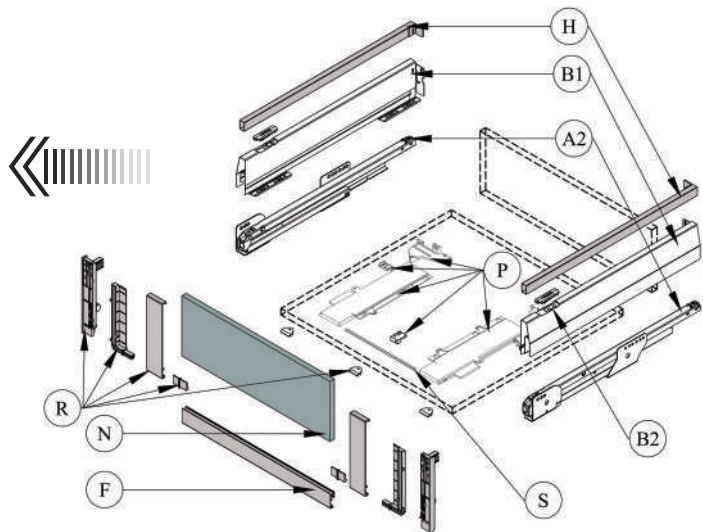
- Cover Caps, Left and Right
- Insert Holders, Left and Right
- Inner Drawer Front Fixing Brackets (189 mm), Left and Right
- Front Panel Stabilisation Clips, 3 Pieces
- Décor Insert Connecting Brackets

Push-to-Open Soft-Close

A2	Cabinet Runners with Push-to-Open Soft-Close
B1	Drawer Sides
B2	Cover Caps
P	Push-to-Open Kit
S	Synchronisation Rod
F	Front Panel Profile
R	Front Décor Insert Holder Kit
N	Front Décor Insert
H	Rectangular Side Railings and Adapters for Inner Drawer

P: Push-to-Open Kit Consists of:

Push-to-Open Unit (Left and Right), Activator Clip (Left and Right), Push-to-Open Locking Clip (Left and Right), and Synchronisation Rod Support



MATRIXBOX PREMIUM - INNER DRAWER WITH FRONT INSERT + RECTANGULAR RAILINGS

Ordering

MatrixBox Premium Sets - Pick base drawer configuration sets that best suit your requirements from page 1.09 and 1.10 + Add-Ons

Inner Drawer Décor Front Kit (189 mm)*			
Drawer Depth (mm)	Colour		
	Metallic Silver	Metallic Anthracite	White
Upto 600 mm Cabinet Width			
450	513.52.365	513.52.366	513.52.364
500	513.52.765	513.52.766	513.52.764
550	513.52.965	513.52.966	513.52.964
Upto 1200 mm Cabinet Width			
450	513.52.385	513.52.386	513.52.384
500	513.52.785	513.52.786	513.52.784
550	513.52.985	513.52.986	513.52.984

*Consists of: Front Panel Profile x 1 Piece, Front Décor Insert Holder Set x 1, Rectangular Side Railings x 1 Pair and Back Adapters x 1 Pair

H: Rectangular Side Railings for Inner Drawer			
Nominal Length (mm)	Colour		
	Metallic Silver	Metallic Anthracite	White
450	513.71.914	513.71.314	513.71.714
500	513.71.915	513.71.315	513.71.715
550	513.71.916	513.71.316	513.71.716

Unit: 1 Pair

H: Back Adapters for Inner Drawer	
Colour	Article No.
Silver	513.71.990
Anthracite	513.71.390
White	513.71.790

Unit: 1 Pair

F: Front Panel Profile (37 mm)		
Colour	Width: 600 mm	Width: 1200 mm
Silver	513.70.931	513.70.939
Anthracite	513.70.331	513.70.339
White	513.70.731	513.70.739

Unit: 1 Piece

R: Front Décor Insert Holder Set	
Colour	Article No.
White	513.70.790
Metallic silver	513.70.990
Metallic anthracite	513.70.390

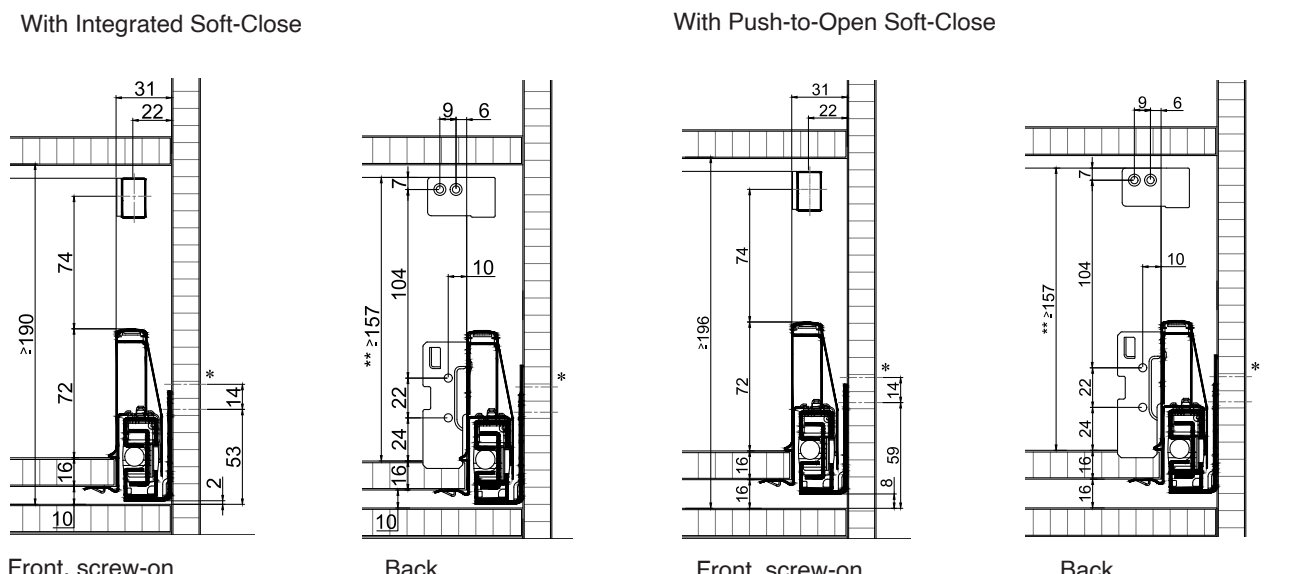
Unit: 1 Set

- > Installation: Front Décor Insert Holder Kit to be screw-fixed to the Front Panel Profile. Together the entire Front Panel is clipped onto the Drawer Sides.
- > Match the colour of the drawer sides
- > Front panel profile dimensions: Height: 37 mm, Length = Internal cabinet width - 133 mm
- > Front décor insert dimensions: Height: 151 mm, Length = Internal cabinet width - 94 mm



Note: Décor inserts are not provided by Häfele. They need to be sourced and prepared separately as per calculations.

Installation Dimensions



* Top row series drilled holes and fixing screws are not required for sets with load bearing capacity of 35 kg.
 ** Rear panel height

MATRIXBOX PREMIUM - INNER DRAWER WITH FRONT INSERT + RECTANGULAR RAILINGS + LATERAL INSERTS

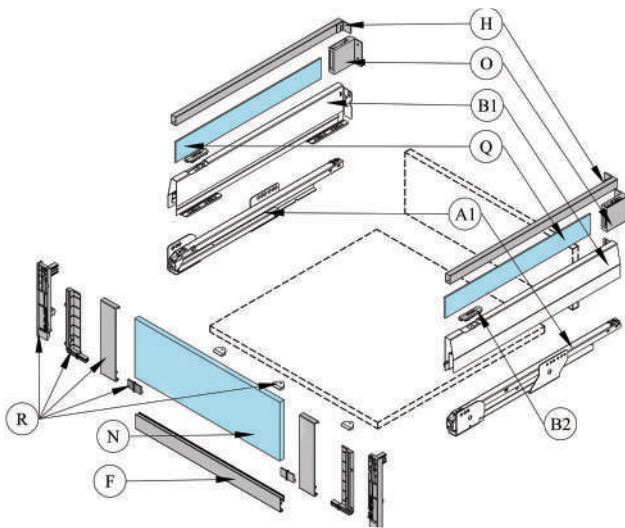
1

92 mm Inner Drawer Set with Front Décor Insert Holder Kit, Rectangular Side Railings and Rear Lateral Décor Insert Holders



- > Runner Technology: With integrated Soft-Close or with Push-to-Open Soft-Close
- > Material: Drawer Sides, runners and railings: Steel, Front panel profile: Aluminium, Front décor insert holder kit and rear lateral décor insert holder : Plastic
- > Finish: Drawer sides, side railings, front panel profile and rear lateral decor insert holder: Metallic Anthracite, Metallic Silver and White

Components



Soft-Close

A1	Cabinet Runners with Soft-Close
B1	Drawer Sides
B2	Cover Caps
F	Front Panel Profile
R	Front Décor Insert Holder Kit
N	Front Décor Insert
H	Rectangular Side Railings and Adapters for Inner Drawer
O	Rear Lateral Décor Insert Holder
Q	Lateral Décor Insert for Inner Drawers

R: Front Décor Insert Holder Kit Consists of:

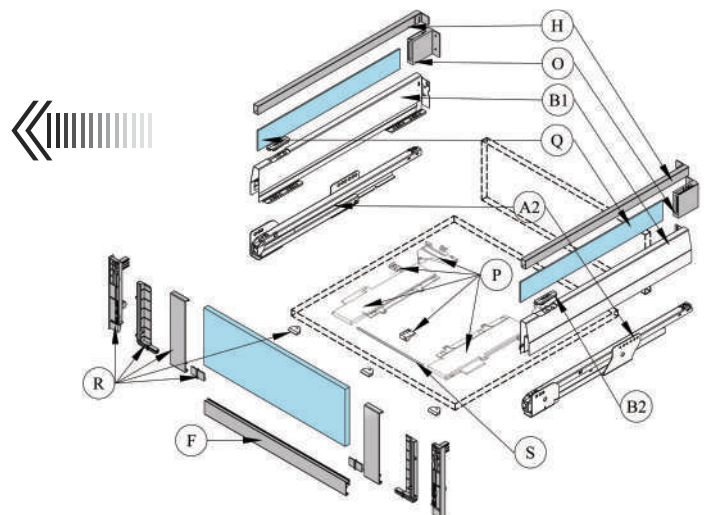
- Cover Caps , Left and Right
- Insert Holders, Left and Right
- Inner Drawer Front Fixing Brackets (189 mm), Left and Right
- Front Panel Stabilisation Clips, 3 Pieces
- Décor Insert Connecting Brackets

Push-to-Open Soft-Close

A2	Cabinet Runners with Push-to-Open Soft-Close
B1	Drawer Sides
B2	Cover Caps
P	Push-to-Open Kit
S	Synchronisation Rod
F	Front Panel Profile
R	Front Décor Insert Holder Kit
N	Front Décor Insert
H	Rectangular Side Railings and Adapters for Inner Drawer
O	Rear Lateral Décor Insert Holder
Q	Lateral Décor Insert for Inner Drawers

P: Push-to-Open Kit Consists of:

Push-to-Open Unit (Left and Right), Activator Clip (Left and Right), Push-to-Open Locking Clip (Left and Right), and Synchronisation Rod Support



MATRIXBOX PREMIUM - INNER DRAWER WITH FRONT INSERT + RECTANGULAR RAILINGS + LATERAL INSERTS

1

Ordering

MatrixBox Premium Sets - Pick base drawer configuration sets that best suit your requirements from page 1.09 and 1.10 + Add-Ons

Inner Drawer Décor Front Kit (189 mm)*			
Drawer Depth (mm)	Colour		
	Metallic Silver	Metallic Anthracite	White
Upto 600 mm Cabinet Width			
450	513.52.365	513.52.366	513.52.364
500	513.52.765	513.52.766	513.52.764
550	513.52.965	513.52.966	513.52.964
Upto 1200 mm Cabinet Width			
450	513.52.385	513.52.386	513.52.384
500	513.52.785	513.52.786	513.52.784
550	513.52.985	513.52.986	513.52.984
*Consists of: Front Panel Profile x 1 Piece, Front Décor Insert Holder Set x 1, Rectangular Side Railings x 1 Pair and Back Adapters x 1 Pair			
O: Rear Lateral Décor Insert Holder			
Colour	Article No.		
Metallic Silver	513.72.999		
Metallic Anthracite	513.72.399		
Solid White	513.72.799		
Unit: 1 Pair			

H: Rectangular Side Railings for Inner Drawer			
Nominal Length (mm)	Colour		
	Metallic Silver	Metallic Anthracite	White
450	513.71.914	513.71.314	513.71.714
500	513.71.915	513.71.315	513.71.715
550	513.71.916	513.71.316	513.71.716
Unit: 1 Pair			
H: Back Adapters for Inner Drawer		Article No.	
Silver		513.71.990	
Anthracite		513.71.390	
White		513.71.790	
Unit: 1 Pair			
R: Front Décor Insert Holder Set		Article No.	
White		513.70.790	
Metallic silver		513.70.990	
Metallic anthracite		513.70.390	
Unit: 1 Set			

F: Front Panel Profile (37 mm)		
Colour	Cabinet Width: 600 mm	Cabinet Width: 1200 mm
Silver	513.70.931	513.70.939
Anthracite	513.70.331	513.70.339
White	513.70.731	513.70.739
Unit: 1 Piece		

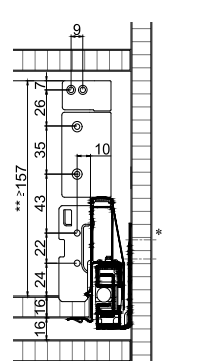
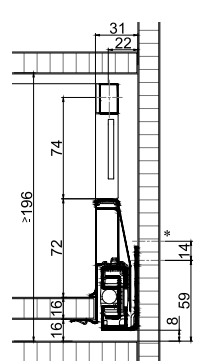
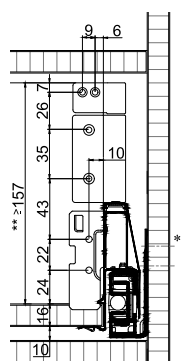
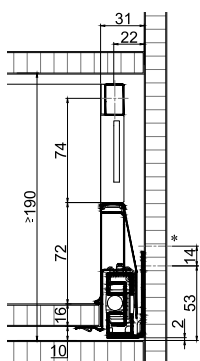
- > Installation: Front Décor Insert Holder Kit to be screw-fixed to the Front Panel Profile. Together the Front Panel is clipped onto the Drawer Sides. Rear Lateral Décor Insert Holder to be screw fixed to the rear panel
- > Match the colour of the drawer sides
- > Front panel profile dimensions: Height: 37 mm, Length = Internal cabinet width - 133 mm
- > Front décor insert dimensions: Height: 151 mm, Length = Internal cabinet width - 94 mm
- > Lateral décor insert dimensions: Height: 48 mm, Length = Nominal Length of Cabinet Runner - 25 mm

Note: Décor inserts are not provided by Häfele. They need to be sourced and prepared separately as per calculations.

Installation Dimensions

With Integrated Soft-Close

With Push-to-Open Soft-Close



Front, screw-on

Back

Front, screw-on

Back

* Top row series drilled holes and fixing screws are not required for sets with load bearing capacity of 35 kg.

** Rear panel height

MATRIXBOX PREMIUM - STANDARD DRAWER FOR UNDER-SINK UNIT

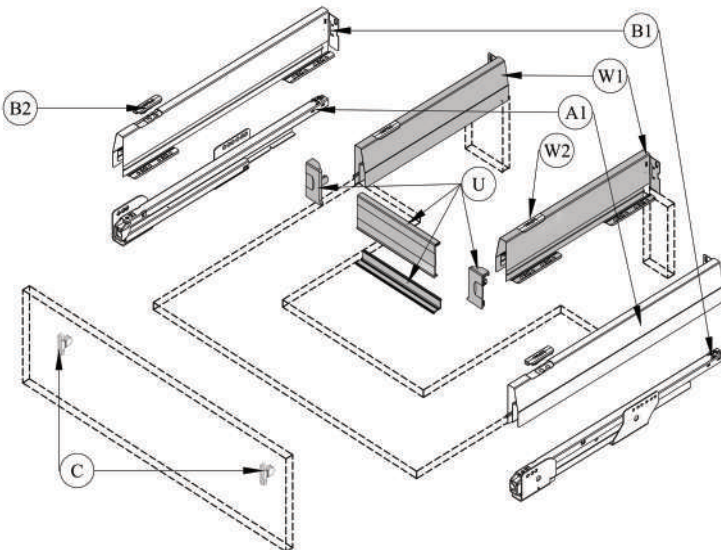
1

92 mm Standard Drawer Under Sink Pull-out, Runner Nominal Length = 500 mm



- > Runner Technology: With integrated Soft-Close or with Push-to-Open Soft-Close
- > Material: Drawer Sides and runners: Steel
- > Finish: Drawer sides, sink cut-out set and railings: Metallic Anthracite, Metallic Silver and White

Components



Soft-Close

A1	Cabinet Runners with Soft-Close, NL = 500 mm
B1	Drawer Sides, NL
B2	Cover Caps for B1
C	Front Fixing Brackets
W1	Drawer Sides, NL = 350 mm
W2	Cover Caps for W1
U	Sink Cut-out Set

U: Sink Cut-out Set Includes

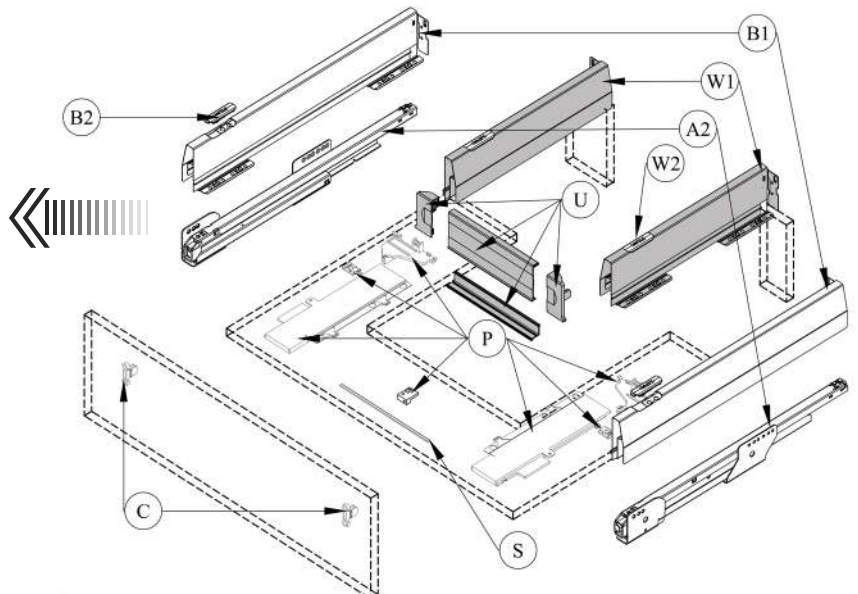
- Undersink Aluminium Panel, Length = 1000 mm
- Undersink Panel Holder
- Undersink Cover Profile

Push-to-Open Soft-Close

A2	Cabinet Runners with Push-to-Open Soft-Close
B1	Drawer Sides
B2	Cover Caps
C	Front Fixing Brackets
P	Push-to-Open Kit
S	Synchronisation Rod
W1	Drawer Sides, NL = 350 mm
W2	Cover Caps for W1
U	Sink Cut-out Set

P: Push-to-Open Kit Consists of:

Push-to-Open Unit (Left and Right), Activator Clip (Left and Right), Push-to-Open Locking Clip (Left and Right), and Synchronisation Rod Support



MATRIXBOX PREMIUM - STANDARD DRAWER FOR UNDER-SINK UNIT

Ordering

MatrixBox Premium Sets - Pick base drawer configuration sets that best suit your requirements from page 1.09 and 1.10
+ Add-Ons

Under Sink Pull-out Set*	
Colour	Article No.
Metallic Silver	513.65.905
Metallic Anthracite	513.65.305
White	513.65.705
*Consists of: Sink Cut-out Set x 1, Drawer Sides (NL = 350 mm) x 1 Pair and Cover Caps x 1 Pair	

U: Sink Cut-out Set	
Colour	Article No.
White	551.61.728
Silver	551.61.928
Anthracite	551.61.328

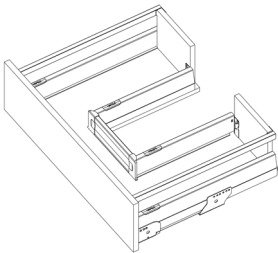
Unit: 1 Set

W1: Drawer Sides, NL = 350 mm	
Colour	Article No.
White	513.02.702
Metallic Silver	513.02.902
Metallic Anthracite	513.02.302

Unit: 1 Pair

W2: Cover Caps for W1	
Colour	Article No.
Metallic Silver	551.61.980
Metallic Anthracite	551.61.380
White	551.61.780

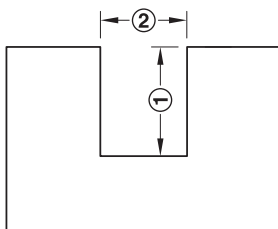
Unit: 1 Pair



Add accessories to achieve a high-fronted configuration

You can create a High-fronted Under Sink Unit by simply adding railings, height extension side panels or lateral décor holder set

Installation Dimensions



1. Nominal length of drawer sides for sink cut-out – 2 mm
2. Required internal dimension between the drawer sides for sink cut-out + 53 mm

Note: In case you wish to install a high-fronted under sink unit with the help of additional accessories, please refer to their specific standard drawer configuration pages for detailed installation instructions.

MATRIXBOX PREMIUM - SIDE PULL-OUT

1

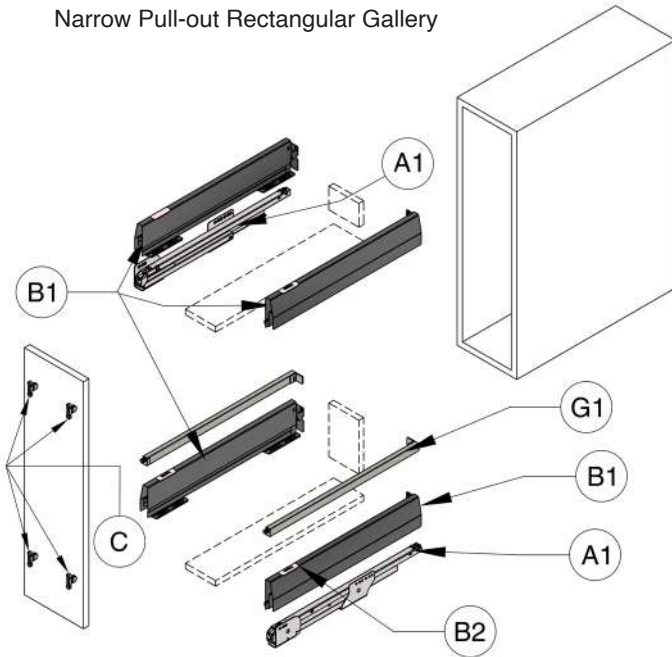
Standard 92 mm Narrow Side Pull-out with Rectangular / Round Side Railings



- > Runner Technology: With integrated Soft-Close
- > Material: Drawer Sides and runners: Steel, Railing holder: Plastic
- > Finish: Drawer sides and railing: Metallic Anthracite, Metallic Silver and White

Components

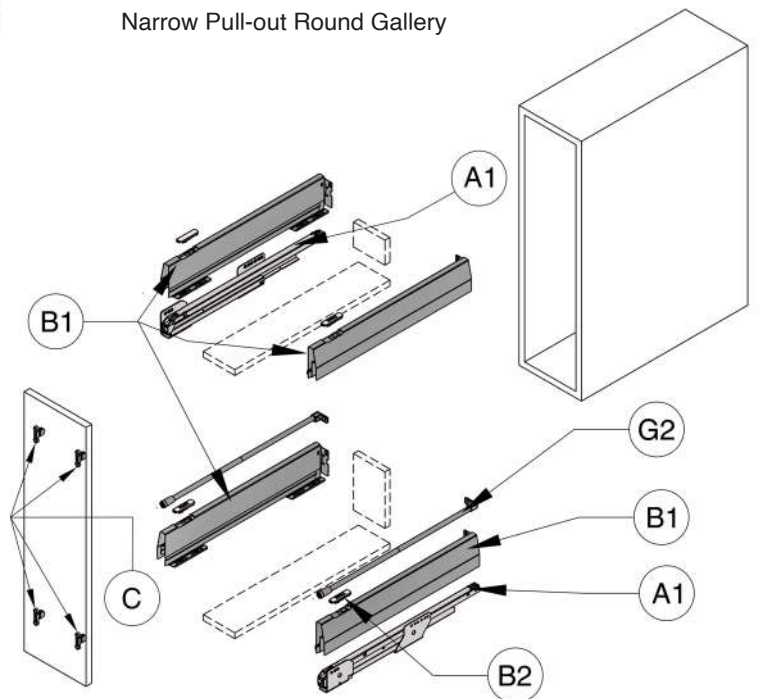
Narrow Pull-out Rectangular Gallery



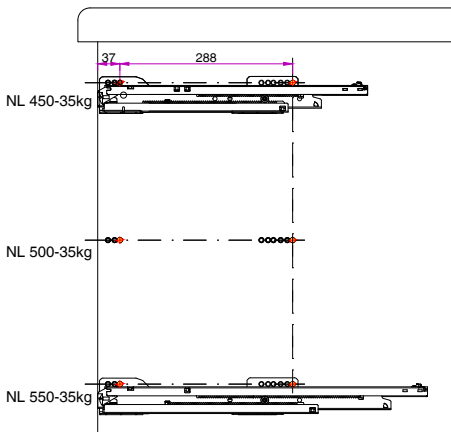
Soft-Close

A1	Cabinet Runners with Soft-Close
B1	Drawer Sides
B2	Cover Caps
C	Front Fixing Brackets
G1	Rectangular Side Railings
G2	Round Side Railings

Narrow Pull-out Round Gallery



Bottle Pull-Out Runner Drilling Details



MATRIXBOX PREMIUM - SIDE PULL-OUT

Ordering

Sets

MatrixBox Premium Side Pull-out Set*			
Drawer Depth (mm)	Colour		
	Metallic Silver	Metallic Anthracite	White
With Rectangular Side Railings			
450	513.07.375	513.09.374	513.07.975
500	513.09.974	513.09.375	513.09.774
550	513.09.975	513.09.376	513.09.775
With Round Side Railings			
450	513.09.976	513.07.374	513.09.776
500	513.07.974	513.07.376	513.07.774
550	513.07.976	513.07.377	513.07.775

*Consists of: Cabinet Runner with Soft Close x 1 Pair, Drawer Sides x 2 Pairs, Front Fixing Brackets x 2 Pairs, Cover Caps x 2 Pairs and Rectangular / Round Side Railings x 1 Pair

Individual Components

A1: Cabinet Runners with Soft-Close		B1: Drawer Sides			
NL (mm)	Load Bearing Capacity	NL (mm)	Colour		
	35 kg		Metallic Silver	Metallic Anthracite	White
450	551.50.444	450	513.02.904	513.02.304	513.02.704
500	551.50.445	500	513.02.905	513.02.305	513.02.705
550	551.50.446	550	513.02.906	513.02.306	513.02.706

Unit: 1 Pair Unit: 2 Pair

B2: Cover Caps		C: Front Fixing Bracket	
Colour	Article. No.	Fixing	Article No.
Metallic Silver	551.61.980	Screw-on	553.59.999
Metallic Anthracite	551.61.380		
Solid White	551.61.780		

Unit: 2 Pair Unit: 4 Pieces

G1: Rectangular Side Railings			
Nominal Length (mm)	Colour		
	Metallic Silver	Metallic Anthracite	White
450	551.60.944	551.60.344	551.60.744
500	551.60.945	551.60.345	551.60.745
550	551.60.946	551.60.346	551.60.746

Unit: 1 Pair

G2: Round Side Railings			
Nominal Length (mm)	Colour		
	Metallic Silver	Metallic Anthracite	White
450	553.58.994	553.58.394	553.58.794
500	553.58.995	553.58.395	553.58.795
550	553.58.996	553.58.396	553.58.796

Unit: 1 Pair

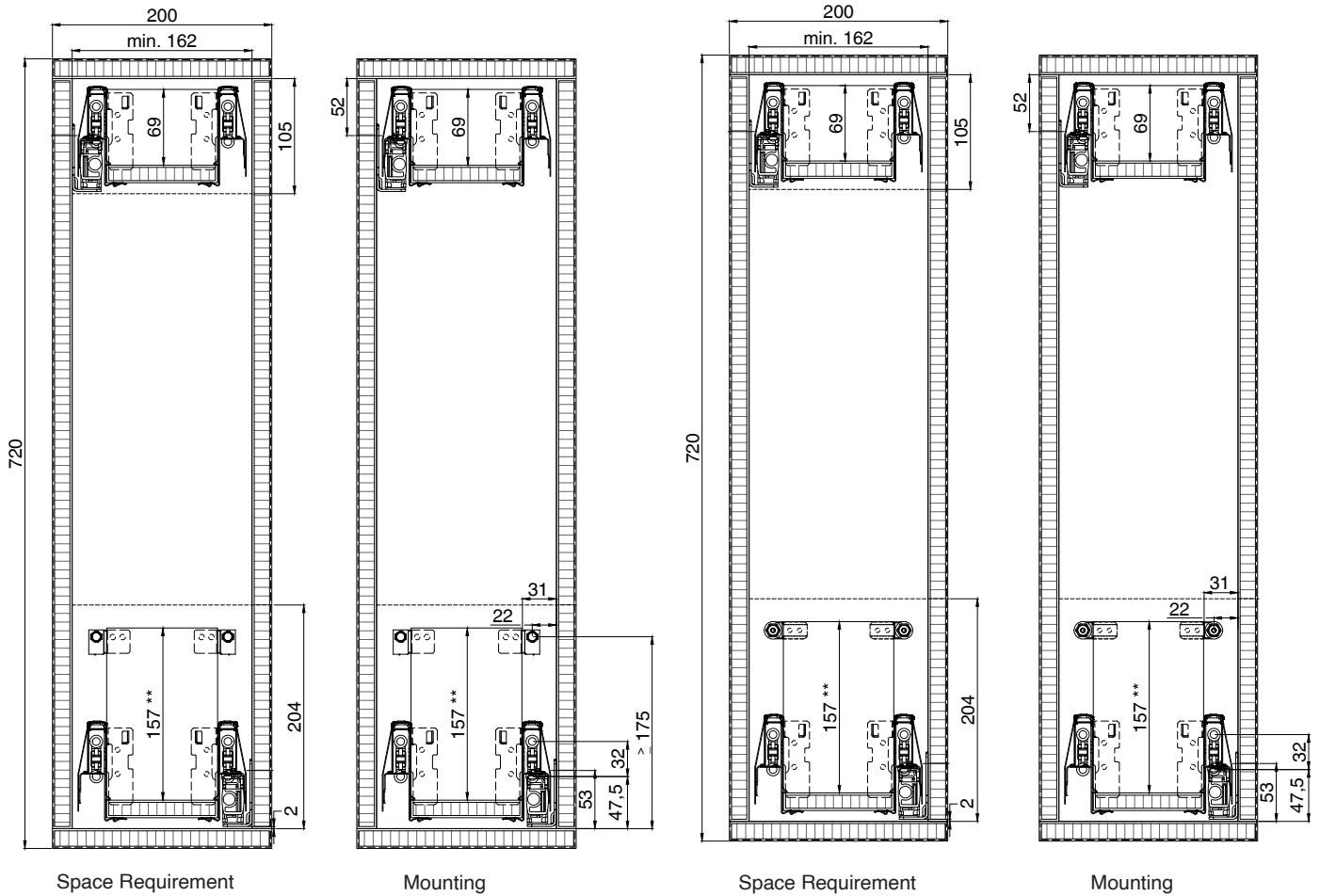
- > Colour of railing matches the drawer sides
- > Rectangular Gallery Dimensions: 13.5 x 22 X Nominal Length (mm)
- > Round Gallery Dimension: \varnothing 11 X Nominal Length (mm)
- > Tilting angle of front panel adjustable by ± 2 mm by rotating the round side railing or rotating the adjusting element inside the rectangular railing



Installation Dimensions

Rectangular Gallery

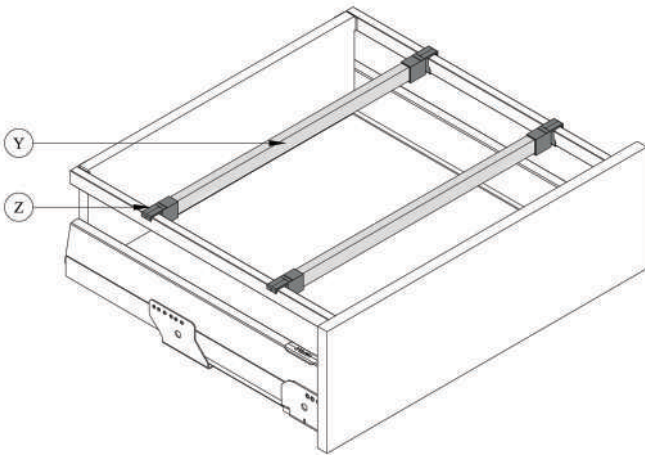
Round Gallery



* Top row series drilled holes and fixing screws are not required for sets with load bearing capacity of 35 kg.
 ** Rear panel height

MATRIXBOX PREMIUM - INTERNAL DIVIDER SYSTEM

Rectangular Cross Rail and Connectors



Y	Rectangular Cross Rail
Z	Rectangular Cross Rail Connector

Rectangular Cross Rail and Connector Kit			
Cabinet Width (mm)	Colour		
	Metallic Silver	Metallic Anthracite	White
Upto 600 mm*	513.70.967	513.70.367	513.70.767
Upto 1200 mm**	513.70.968	513.70.368	513.70.768
*Consists of: Rectangular Cross Rail x 1 and Rectangular Cross Rail Connector x 4			
**Consists of: Rectangular Cross Rail x 2 and Rectangular Cross Rail Connector x 4			

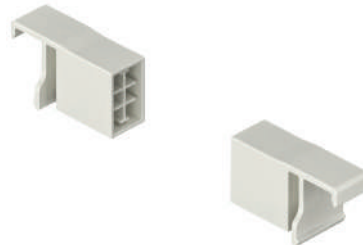
Note: This set helps provide internal division within the drawer and enhances organised storage. Once the drawer unit is constructed using the base drawer configuration Sets and add-ons, this set can be easily added wherever required.



Y: Rectangular Cross Rail	
Colour	Article No.
White	513.70.769
Metallic Silver	513.70.969
Metallic Anthracite	513.70.369

Unit: 1 Piece

- > Material: Steel
- > Version: Can be shortened
- > Length: 1,090.5 mm
- > Cutting Dimension: = internal cabinet width – 77.5 mm
Note: For Drawer Widths of up to 600 mm, the cross rail can be cut into two or more parts using this formula.



Z: Rectangular Cross Rail Connector	
Colour	Article No.
White	513.70.789
Metallic Silver	513.70.989
Metallic Anthracite	513.70.389

Unit: 1 Piece

- > Material: Plastic
- > Installation: Inserted into the Rectangular Cross Rail from both sides. Helps clip the cross rail onto the Rectangular Side Railings

MATRIXBOX SLIM

1

MatrixBox Slim



The **MatrixBox Slim** drawer system by Häfele comes with a sophisticated slim design and operates smoothly, opens swiftly and closes with precision.

This Slim drawer system with 13mm thin drawer sides, features simple assembly as well as unrivalled design and flexibility in application. It is suitable for installation in kitchens, bedrooms and bathrooms. MatrixBox Slim comes with 3 height options, 2 side design options (Solid & Décor) and 2 weight carrying capacities (40 & 60 kg); giving you the widest choice for a host of applications. With an integrated Soft-Close and a Synchronized Runner Technology, the movement of these drawers is smooth, stable and precise. The attractive Graphite Grey Finish brings sophistication and elegance to your home design.

MATRIXBOX SLIM



ADVANTAGES OF MATRIXBOX SLIM



EASY ASSEMBLY

With the MatrixBox Slim Drawer System there are no additional preparations needed for the bottom panel, unlike other systems that require a specific grooving for the runner installation. This makes the overall assembly hassle-free and quick; and leaves very little room for manual errors. You can comfortably adjust the height and side positions of the drawer front from the adjustment options available on the inside of the drawer



VERSATILE DESIGN

The MatrixBox Slim Drawer System comes in an attractive Graphite Grey finish along with two drawer side options – Solid (a complete metal side) and Décor (that provides the option to add a decorative panel to the drawer side). This presents an opportunity to create the most versatile design applications with this system. For inner drawers, MatrixBox Slim offers a host of front options that add to the versatility of this range.



EXTENSIVE RANGE

The MatrixBox Slim Drawer System comes with three height options, two variants for the drawer sides (i.e. Solid and Décor), two weight carrying capacities of 40kg and 60 kg and a host of front options for inner drawers. This extensive combination provides for a wide choice of applications.



EXCELLENT PERFORMANCE

The MatrixBox Slim Drawer Systems display optimised running and closing characteristics due to synchronized runners with an integrated fluid damper and a cushioned end stop in the open position. The stable, smooth and balanced motion of these drawer systems provide for an exceptional performance.



VARIABLE USAGE

The slim and straight design of the drawer sides makes MatrixBox Slim the perfect choice for different applications of the home be it kitchen drawers, bedroom furniture and wardrobes, living room units or bathroom storage. The weight carrying capacities and universal design add to the flexibility of this range



GERMAN QUALITY

The Matrixbox Slim Drawer Systems by Hafele are tested for 60,000 cycles, which meet the LGA certification requirements. They additionally come with the best operating characteristics, inherent elegant motions and smooth closing in accordance with the well-known Hafele quality standards.

MATRIXBOX SLIM

1

MatrixBox Slim



Standard Drawers



Inner Drawers

- Ideal for kitchen drawers, bedroom furniture and wardrobes, living room units bathroom storage or any other pull-out applications
- Slim 13mm drawer sides with two side variants - Solid (a complete metal side) and Décor (that provides the option to add a decorative panel to the drawer side).
- Height and Side Adjustment available from inside of the drawer
- Smooth synchronised runner movement
- Aesthetic inner drawer design with complementary Solid and Décor Front Options
- 60000 cycle tested

- Material: Steel
- Finish: Graphite Grey
- Type of Pull-out: Full Extension with integrated Soft-Close
- Weight Carrying Capacities: 40 kg & 60 kg

Drawer Side Options



Solid Drawer Side



Décor Drawer Side

The Three-two-one Range (Heights, Weight-carrying Capacities & Finish):

Three Drawer Heights:

The MatrixBox Slim comes in 3 heights options: H1 (88mm), H2 (172mm) and H3 (238mm). The H2 MatrixBox Slim Drawers are further available in two drawer side options of Solid and Décor.

Two Weight Carrying Capacities:

The MatrixBox Slim comes in 2 weight-carrying capacities of 40kg and 60kg.

One Attractive Finish:

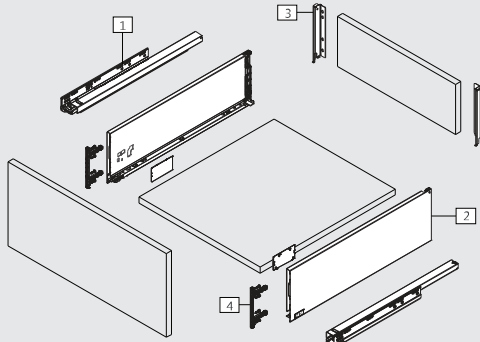
The attractive Graphite Grey finish of the MatrixBox Slim provides elegance and a sophisticated look to the overall design.

These options combined with a host of nominal lengths available in the range, make the MatrixBox Slim a holistic solution for different home applications.

MATRIXBOX SLIM

Standard Drawer Application

Components:

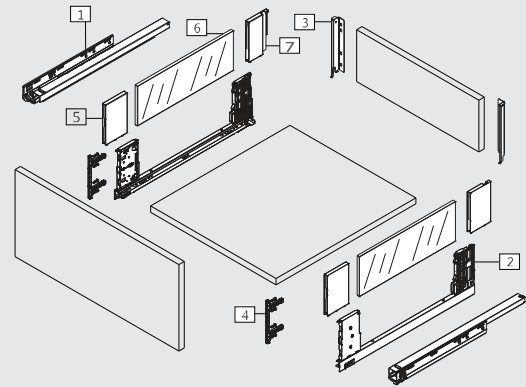


Components: Solid Drawer Side

1. Drawer Runners
 2. Drawer Sides (as per heights H1, H2 & H3)
 3. Rear-fixing Brackets (as per heights H1, H2 & H3)
 4. Front-fixing Brackets (as per heights H1, H2 & H3)
- This set also includes the internal and external cover caps

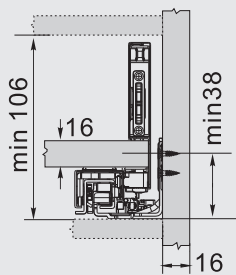
Components: Décor Drawer Side

1. Drawer Runners
 2. Drawer Sides for Décor element (as per height H2)
 3. Rear-fixing Brackets (as per height H2)
 4. Front-fixing Brackets (as per height H2)
 5. Front Adapter
 6. 10 mm Glass insert (not part of the set)
 7. Rear Adapter
- This set also includes the internal and external cover caps



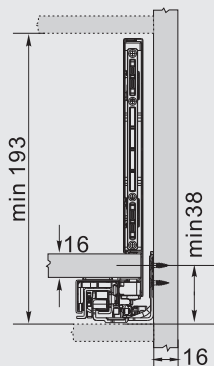
Planning – Space Requirement

MATRIXBOX SLIM H1

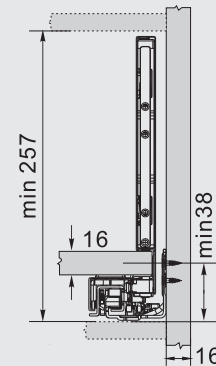


Space requirement in cabinet

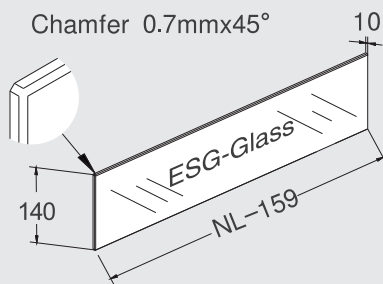
MATRIXBOX SLIM H2



MATRIXBOX SLIM H3



Cutting dimensions – Décor side



Glass Side Dimensions For Matrixbox Slim H2 Decor (Mm)
10mm Glass-boxside

Length = nominal length of cabinet runner – 159 mm
Height = 140 mm

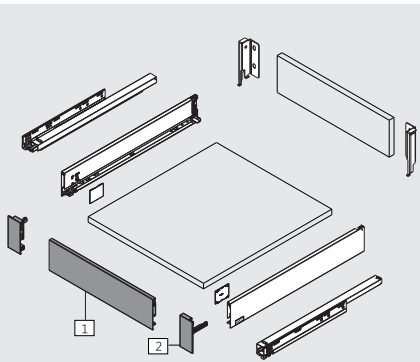
MATRIXBOX SLIM

MatrixBox Slim

1

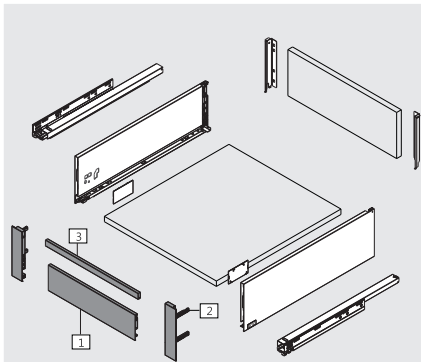
Inner Drawer Application

Components:



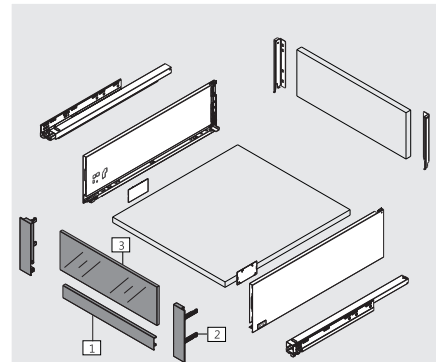
Components: Solid Front for H1 Drawer Side

- 1. Front Section
 - 2. Front-fixing Brackets (H1 height)
- The other components remain the same as the Standard H1 Drawer System



Components: Solid Front for H2 Drawer Side

- 1. Front Section
 - 2. Front-fixing Brackets (H2 height)
 - 3. Square Cross Rail
- The other components remain the same as the Standard H2 Drawer System (with Solid or Décor Sides)

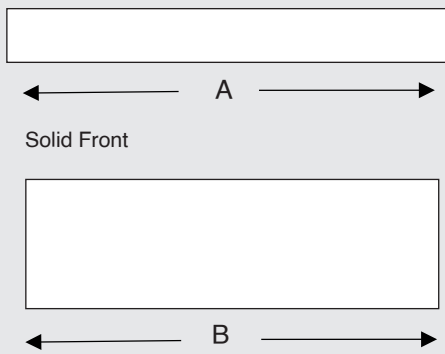


Components: Décor Front for H2 Drawer Side

- 1. Front Section
 - 2. Front-fixing Brackets (H2 height)
 - 3. 10 mm Glass insert (not part of the set)
- The other components remain the same as the Standard H2 Drawer System (with Solid or Décor Sides)

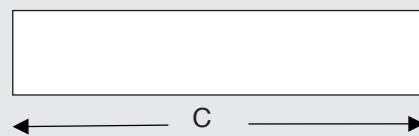
Note: The Space Requirement Planning and cutting-dimensions for the side Décor panel remain the same as the Standard Drawer

Square Cross Rail for Solid Front



A = Cabinet Width – 72 mm
 B = Cabinet Width – 97 mm
 Note: The Square Cross Rail for Solid Front is required only for H2 height option.

Décor Front



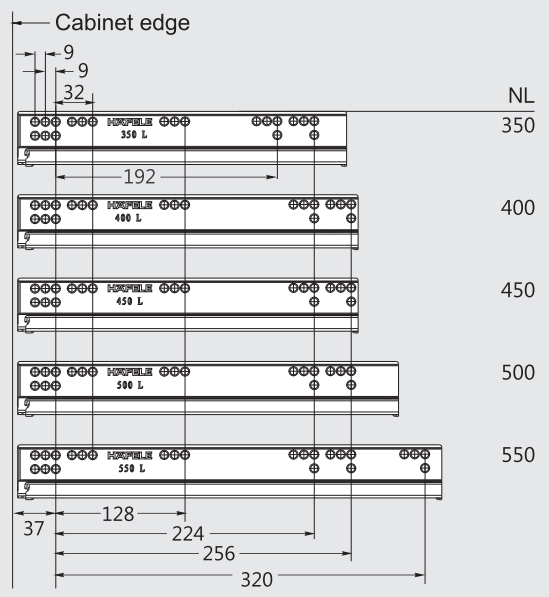
C = Cabinet Width – 97 mm
 Thickness = 10 mm

MATRIXBOX SLIM

1

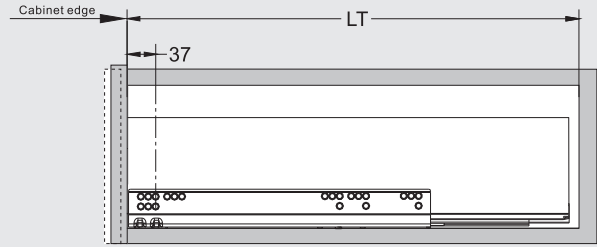
MatrixBox Slim

Drilling Pattern for Cabinets



Internal Cabinet Depth:

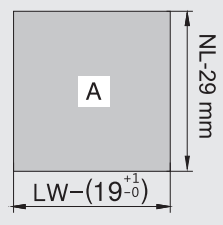
Internal cabinet Depth=LT=NL+3



Internal Cabinet Depth (LT) = Nominal Length of Runner (NL) + 3 mm

Cutting dimensions for base and rear panels (panel thickness of 16mm):

Base Panel



Base Panel Width = Internal Cabinet Width (LW) – 19 mm
 Base Panel Depth = Nominal Length of Runner (NL) – 29 mm

Rear Panel



Rear Panel Width = Internal Cabinet Width (LW) – 40 mm

	H1	H2	H3
Rear Panel Height (mm):	63	148	212

Calculation of the Internal Drawer Space Dimensions:

Internal drawer width = External Cabinet width - (2 X side panel thickness) – 40mm

Example (Let's assume that the External Cabinet Width = 600mm and Side Panel Thickness = 18 mm)
 Internal drawer width = 600 - (2X18) - 40
 Internal drawer width = 600 - 36 - 40
 Internal drawer width = 524 mm

Internal drawer depth = Nominal length of Runner – 29mm

Example (Let's assume that the Nominal Length of the runner = 500mm)
 Internal drawer depth = 500 - 29
 Internal drawer depth = 471mm

ORDERING INFORMATION

MatrixBox Slim

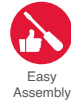


MATRIXBOX SLIM - H1 STANDARD DRAWERS

1

MatrixBox Slim

Standard H1 (88mm) Drawer Set



Easy Assembly



Extensive Range



Versatile Design



Variable Usage



Excellent Performance



German Quality

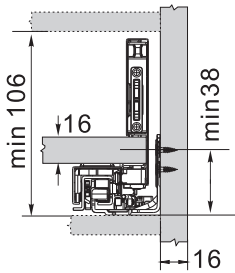
- > Material: Steel
- > Finish: Graphite Grey
- > Type of Pull-out: Full Extension with integrated Soft-Close
- > Weight Carrying Capacities: 40 kg

Ordering

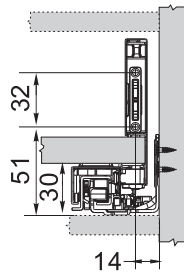
40 kg Systems

Nominal Length	Article Number
350 mm	554.00.802
400 mm	554.00.803
450 mm	554.00.804
500 mm	554.00.805
550 mm	554.00.806

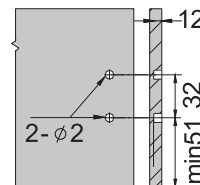
Installation Dimensions



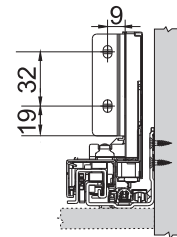
Space requirement in cabinet



Front installation dimensions

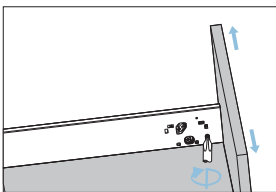


Front drilling dimensions

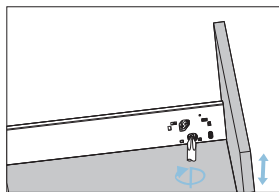


Back installation dimensions

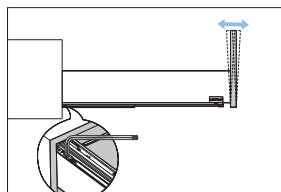
Adjustments:



Left & right adjustment

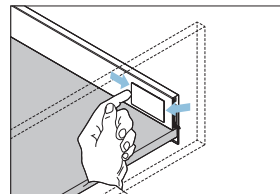


Up & Down adjustment

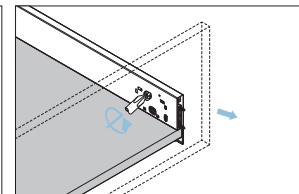


Tilt adjustment (by M3 Allen key)

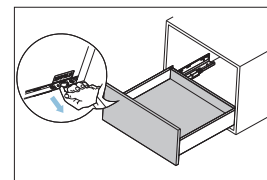
Removal of Front:



Tip up the cover and pull out



Turn screw driver to release the drawer front



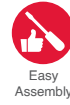
Press the locking device under drawer bottom and pull out the drawer

MATRIXBOX SLIM - H2 STANDARD DRAWERS

1

MatrixBox Slim

Standard H2 (172mm) Drawer Set with Solid Drawer Side



Easy Assembly



Extensive Range



Versatile Design



Variable Usage



Excellent Performance



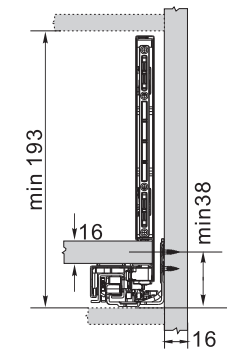
German Quality

- > Material: Steel
- > Finish: Graphite Grey
- > Drawer Side: Solid
- > Type of Pull-out: Full Extension with integrated Soft-Close
- > Weight Carrying Capacities: 40 kg & 60 kg

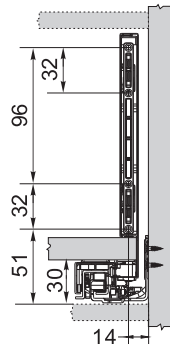
Ordering

Nominal Length	40 kg Systems	60 kg Systems
	Article Number	
350 mm	554.01.802	-
400 mm	554.01.803	-
450 mm	554.01.804	-
500 mm	554.01.805	554.01.905
550 mm	554.01.806	554.01.906

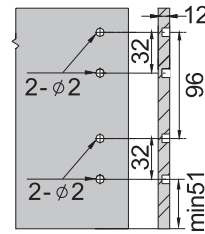
Installation Dimensions



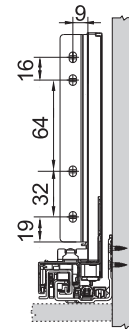
Space requirement in cabinet



Front installation dimensions

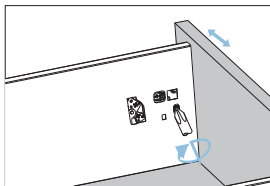


Front drilling dimensions

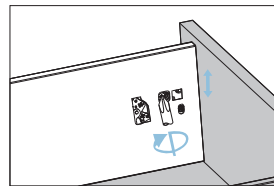


Back installation dimensions

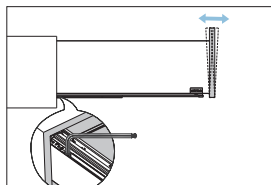
Adjustments:



Left & right adjustment

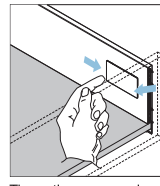


Up & Down adjustment

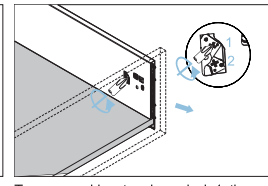


Tilt adjustment (by M3 Allen key)

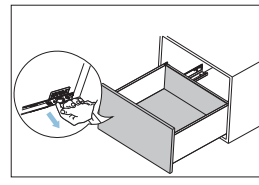
Removal of Front:



Tip up the cover and pull out



Turn screw driver to release lock 1, then release lock 2, remove the drawer front



Press the locking device under drawer bottom and pull out the drawer

MATRIXBOX SLIM - H2 STANDARD DRAWERS

1

MatrixBox Slim

Standard H2 (172mm) Drawer Set with Décor Drawer Side



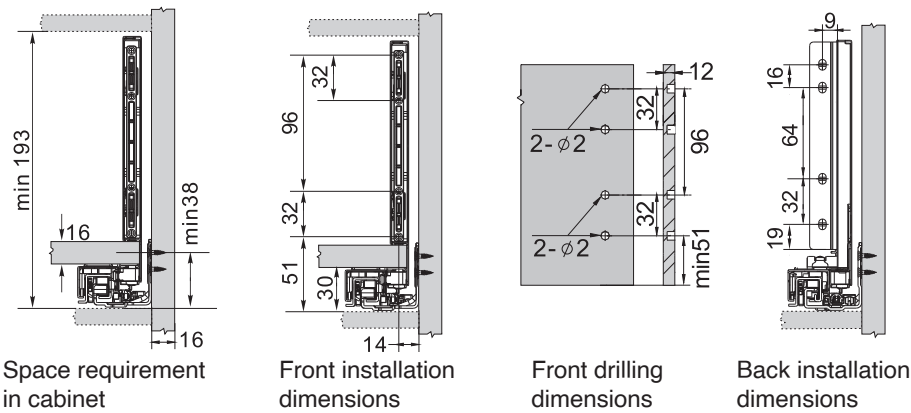
- Easy Assembly
- Extensive Flange
- Versatile Design
- Variable Usage
- Excellent Performance
- German Quality

- > Material: Steel
- > Finish: Graphite Grey
- > Drawer Side: Décor
- > Type of Pull-out: Full Extension with integrated Soft-Close
- > Weight Carrying Capacities: 40 kg

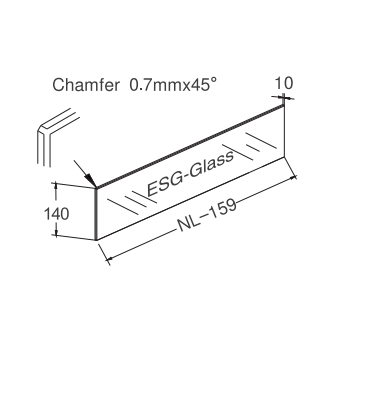
Ordering

40 kg Systems	
Nominal Length	Article Number
500 mm	554.01.845
550 mm	554.01.846

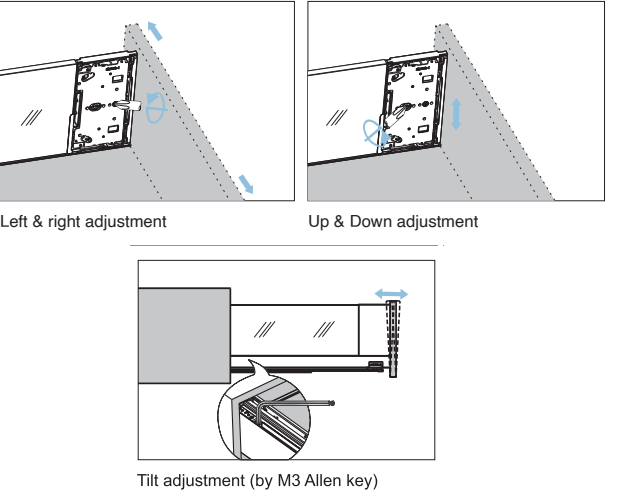
Installation Dimensions



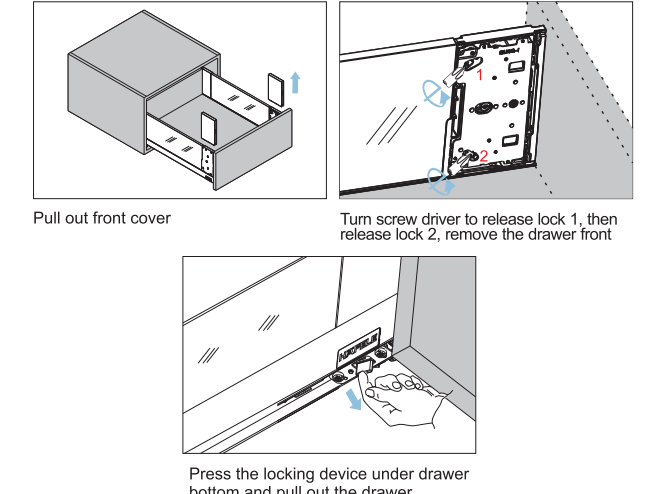
Cutting dimensions – Décor side



Adjustments:



Removal of Front:



MATRIXBOX SLIM - H3 STANDARD DRAWERS

1

MatrixBox Slim

Standard H3 (238mm) Drawer Set



Easy Assembly



Extensive Range



Versatile Design



Variable Usage



Excellent Performance



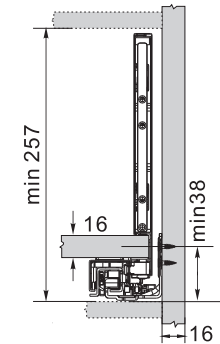
German Quality

- > Material: Steel
- > Finish: Graphite Grey
- > Type of Pull-out: Full Extension with integrated Soft-Close
- > Weight Carrying Capacities: 40 kg & 60 kg

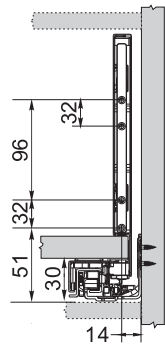
Ordering

Nominal Length	40 kg Systems:	60 kg Systems:
	Article Number	
500 mm	554.01.825	554.01.925
550 mm	554.01.826	554.01.926

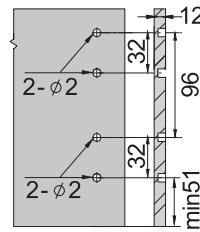
Installation Dimensions



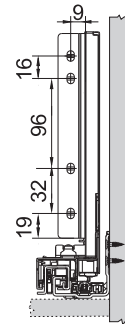
Space requirement in cabinet



Front installation dimensions

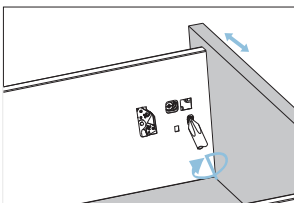


Front drilling dimensions

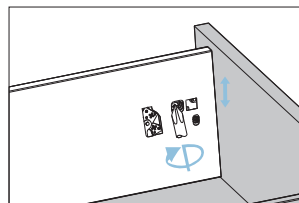


Back installation dimensions

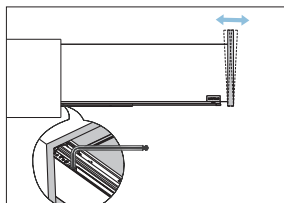
Adjustments: Removal of Front:



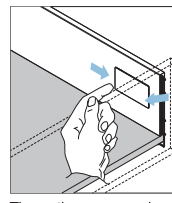
Left & right adjustment



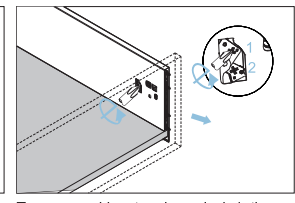
Up & Down adjustment



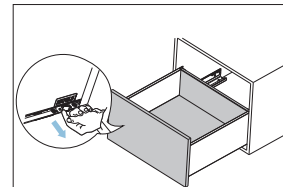
Tilt adjustment (by M3 Allen key)



Tip up the cover and pull out



Turn screw driver to release lock 1, then release lock 2, remove the drawer front



Press the locking device under drawer bottom and pull out the drawer

MATRIXBOX SLIM - INNER DRAWERS

H1 (88 mm) Inner Drawer Solid Front Set



- > Material: Steel
- > Finish: Graphite Grey
- > Type of Pull-out: Solid

Ordering

Article Number	Cabinet Width
552.19.590	600 mm
552.19.591	1200 mm

MatrixBox Slim Sets – Pick H1 Standard drawer configuration sets that best suit your requirements from page (1.48)
 + Choose the Solid Front Set from the table above as per the Cabinet Width:

H2 (172 mm) Inner Drawer Solid Front Set



- > Material: Steel
- > Finish: Graphite Grey
- > Type of Pull-out: Solid + Square Cross Rail

Ordering

Article Number	Cabinet Width
552.19.570	600 mm
552.19.571	1200 mm

MatrixBox Slim Sets – Pick H2 Standard drawer configuration sets that best suit your requirements from pages (1.49 and 1.50)
 + Choose the Solid Front Set from the table above as per the Cabinet Width:

H2 (172mm) Inner Drawer Décor Front Set



- > Material: Steel
- > Finish: Graphite Grey
- > Type of Pull-out: Décor

Ordering

Article Number	Cabinet Width
552.19.596	600 mm
552.19.597	1200 mm

MatrixBox Slim Sets – Pick H2 Standard drawer configuration sets that best suit your requirements from pages (1.49 and 1.50)
 + Choose the Décor Front Set from the table above as per the Cabinet Width:

MATRIXBOX SLIM - UNDER SINK UNIT

MatrixBox Slim

1

Under Sink Unit



Easy Assembly



Versatile Design



Variable Usage



Excellent Performance



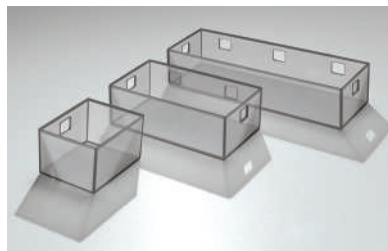
German Quality

- > Material: Plastic
- > Finish: Dark Grey
- > Suitable for: Drawers with 16mm base and rear panel

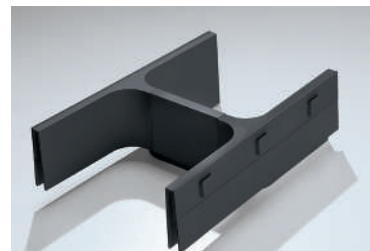
Ordering

Description	Article Number
Basic Module – H-frame, 2 transverse profiles with connector, fixing rail for trays and rear brackets	556.23.668
Storage trays	556.23.428

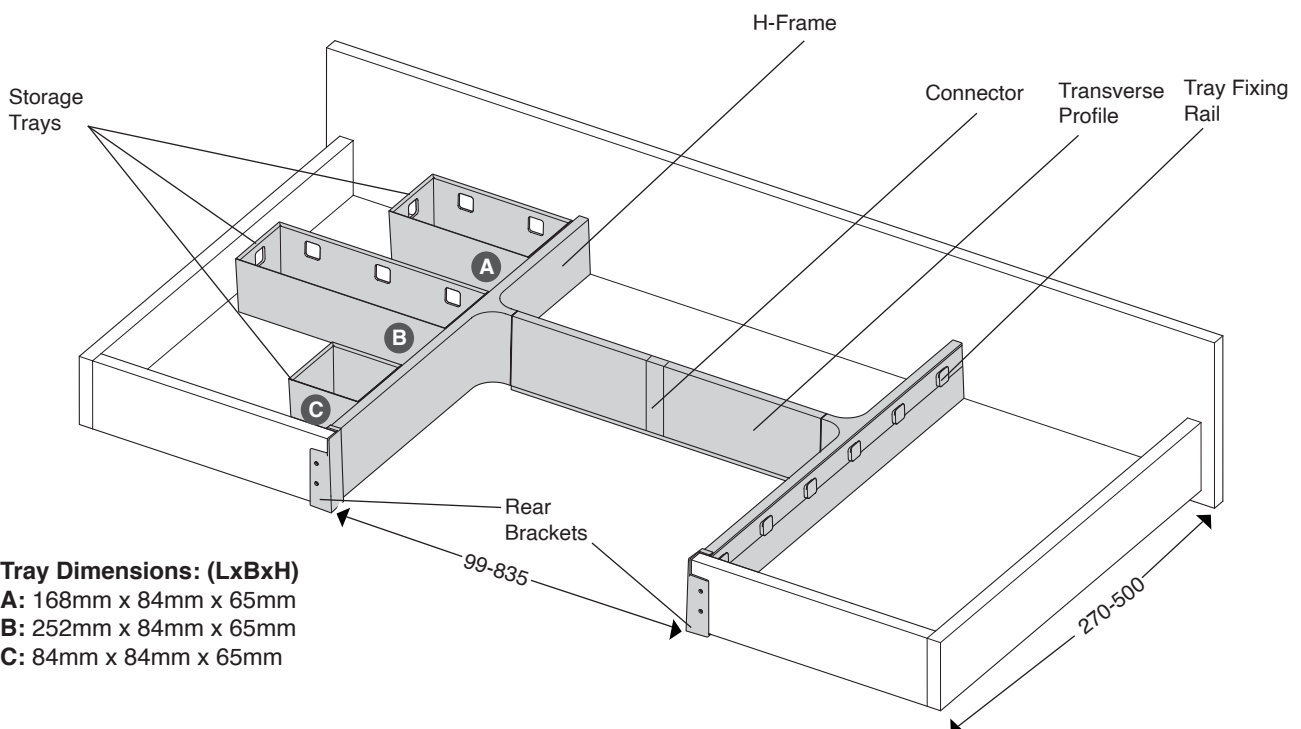
Components and installation dimensions



Storage Trays



Basic Module





- > Ideal for maximum utilization of the under-sink space
- > This under sink organization system consists of a unique H-shaped frame to conceal sink cut-out and 3 storage trays
- > Storage trays are easy to clean and impact resistant. These trays come in 3 different sizes that can be configured to suit individual's requirement. They can either be secured in place with fixing rail or can be used as freestanding units
- > Maximum cut-out width can be extended to 835mm using the connector and transverse profile which are included in the package

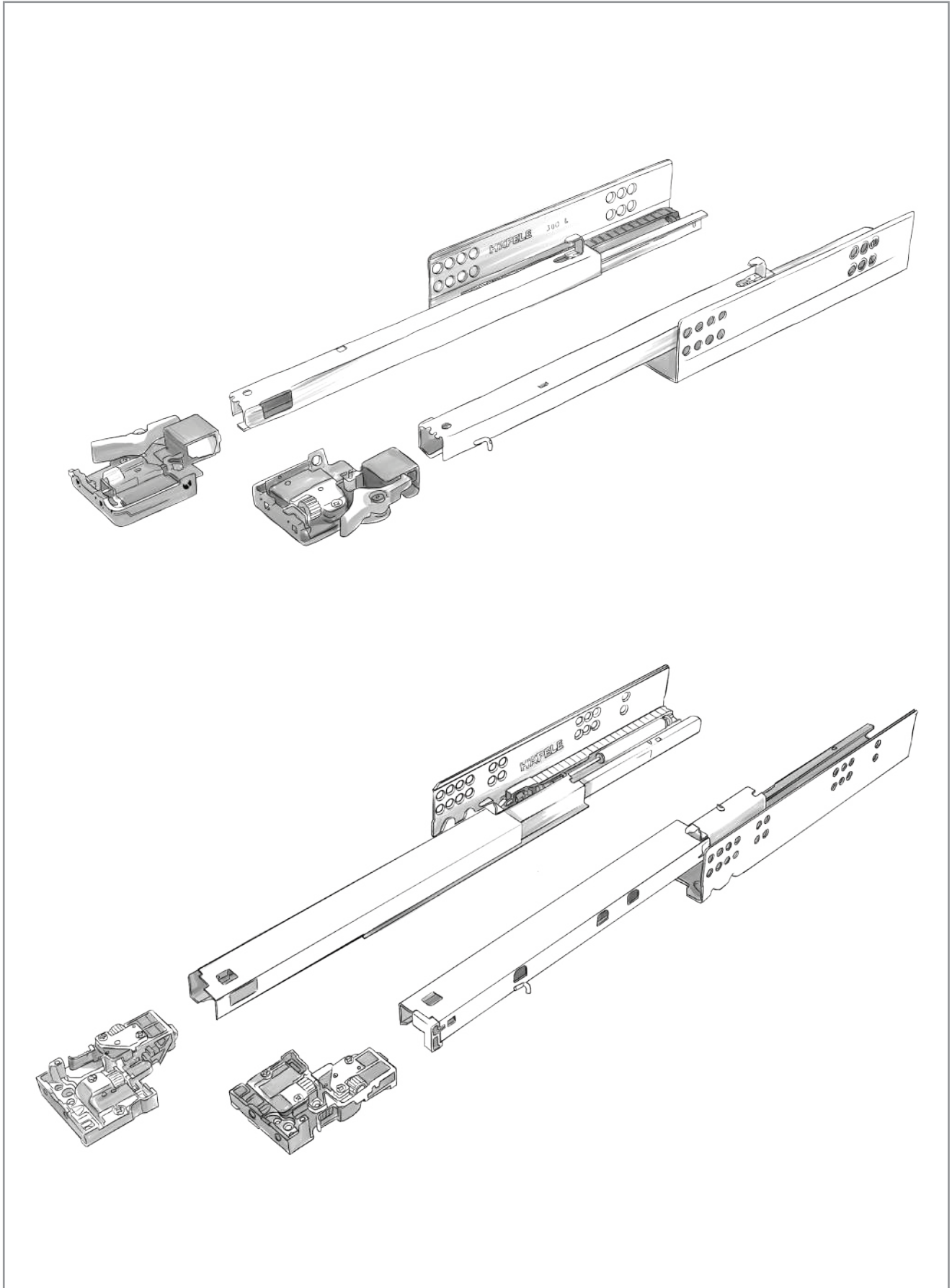


SCAN ME

MATRIX UM

1

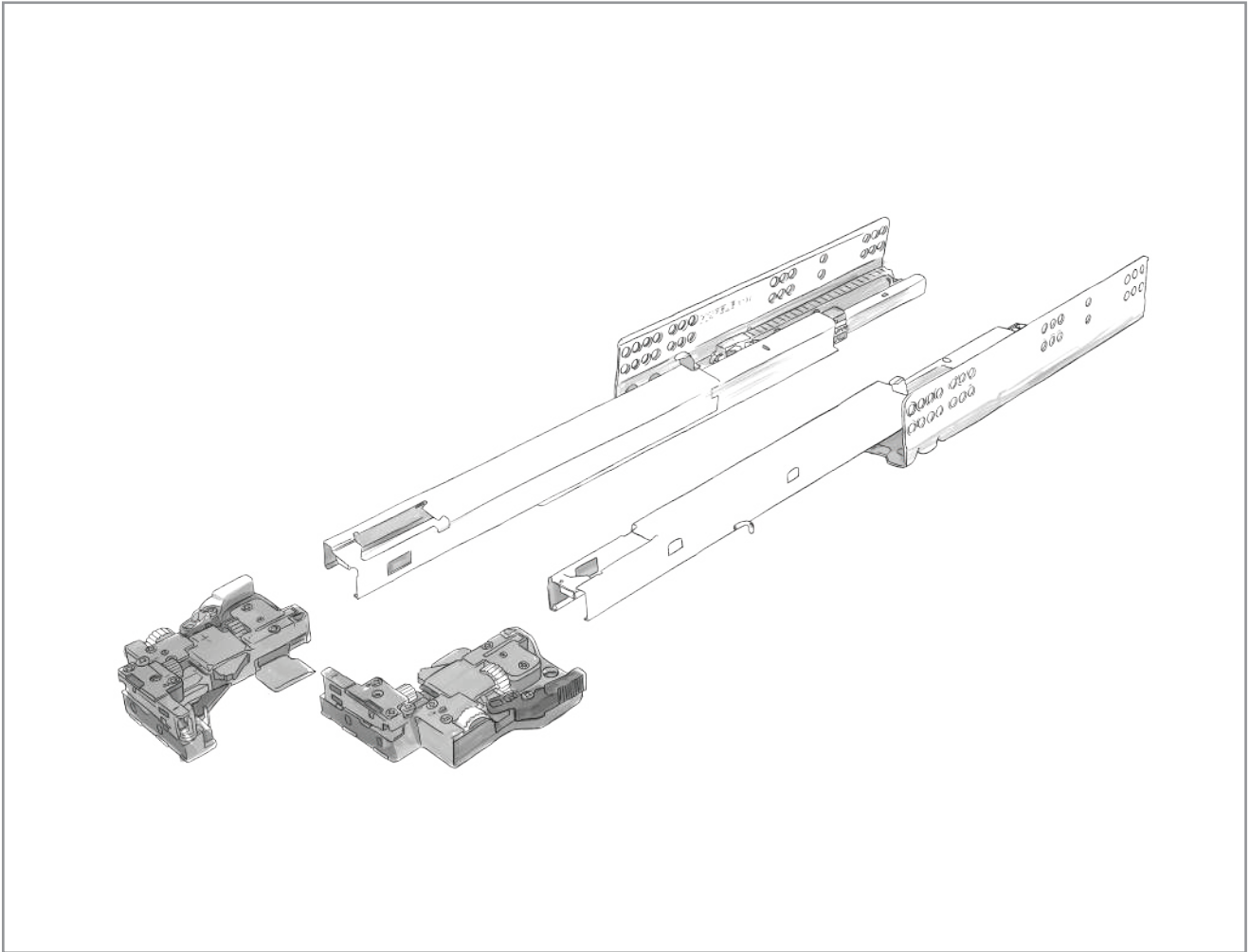
Undermount Runners



MATRIX UM

1

Undermount Runners



Hafele's in-house range of Matrix Undermount runners comes with an elegant motion technology that can suit a host of applications within kitchens, living room furniture, bed storage units, wardrobes and bathroom units.

Available in 4 weight-carrying capacities and a large range of nominal lengths, the Matrix Undermount runners can execute any required drawer design. The 40 and 60 kg runners come with a synchronized technology providing excellent motion and stability to the drawers. All runners come with an intergrated soft-close mechanism that offers smooth and noiseless closing of the drawer units.

MATRIX UM

Matrix UM 40 & Matrix UM 60



- > Material: Steel
- > Finish: Zinc Plated
- > Type: Full-extension with integrated Soft-close
- > Weight Carrying Capacities: 40 & 60 kg

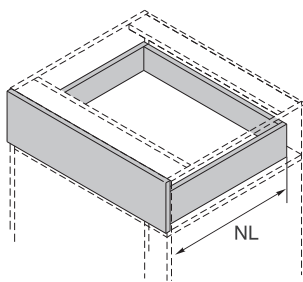
Optimised running and closing characteristics due to synchronized runners

3D adjustment locking bracket.

Ordering

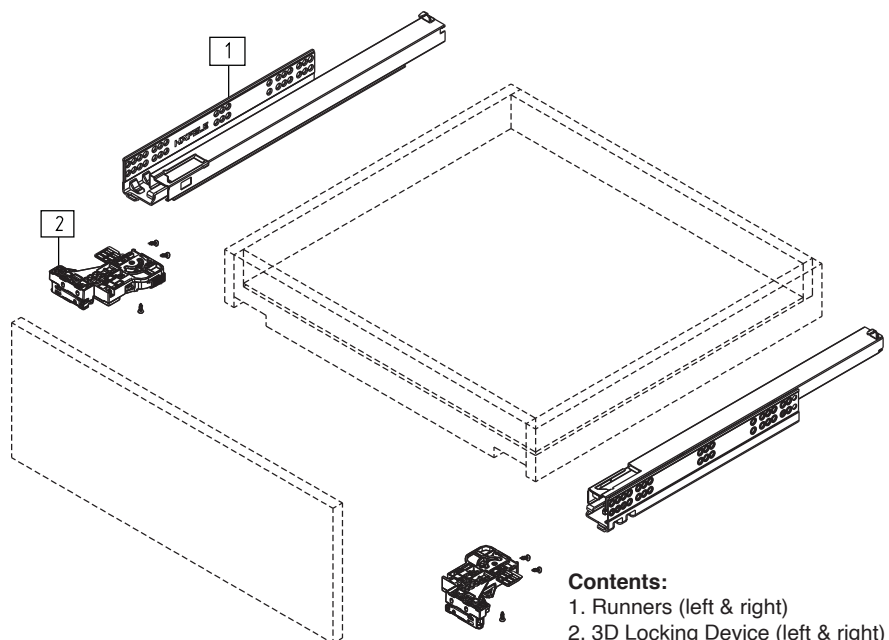
Matrix Undermount Runners	40 kg	60 kg
Nominal Length	Article Number	
300 mm	433.09.501	-
350 mm	433.09.502	-
400 mm	433.09.503	-
450 mm	433.09.504	-
500 mm	433.09.505	433.09.515
550 mm	433.09.506	433.09.516
600 mm	433.09.507	433.09.517

Space Requirement



NL: Nominal length

Soft Close Drawer



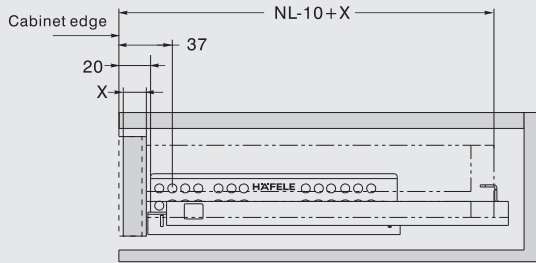
Contents:

- 1. Runners (left & right)
- 2. 3D Locking Device (left & right)

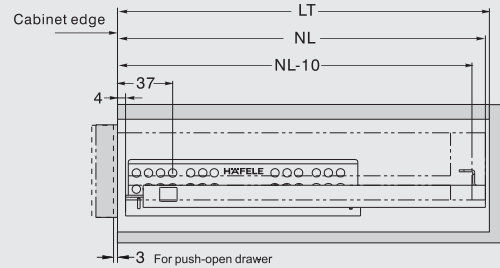
MATRIX UM

Drawer Installation Dimensions

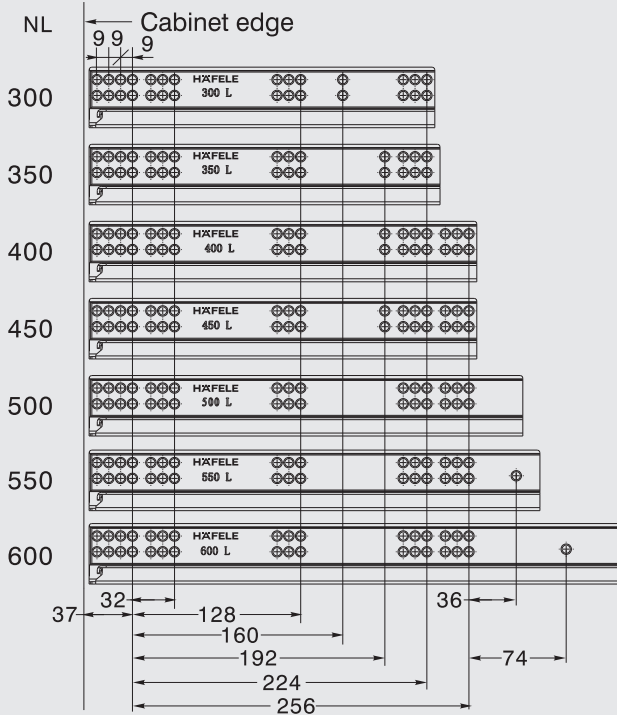
NL=Nominal Runner Length
 LT=Internal Cabinet Depth
 LTmin=NL+21



NL=Nominal Runner Length
 LT=Internal Cabinet Depth
 LTmin=NL+3

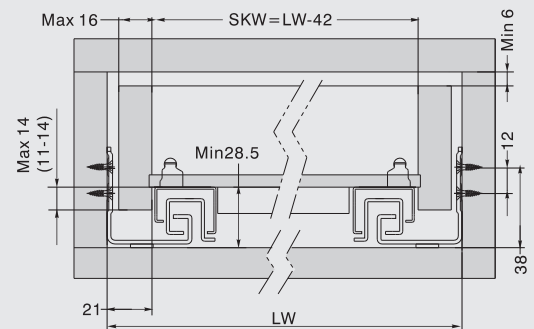


Screw Positions of the Runner Installation Dimensions

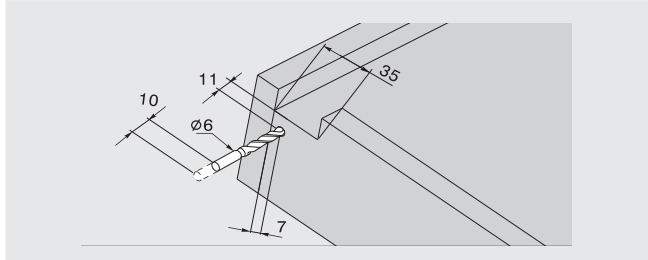


Installation Dimensions

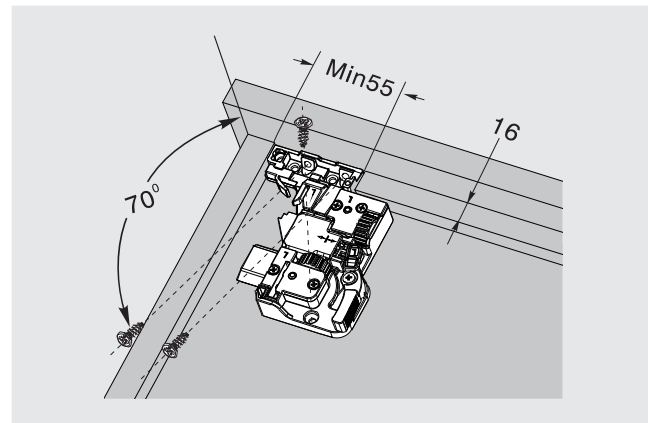
SKW = Internal Drawer Width LW = Internal Cabinet Width



Soft-closing Drawer Back Preparation



3D Locking Bracket Installation



MATRIX UM

1

Matrix UM 35

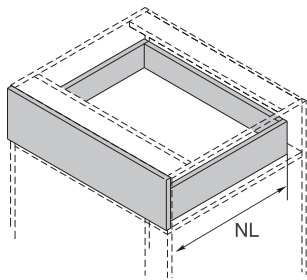


- > Material: Steel
 - > Finish: Zinc Plated
 - > Type: Full-extension with integrated Soft-close
 - > Weight Carrying Capacities: 35 kg
- 2D Adjustment Locking Bracket

Ordering

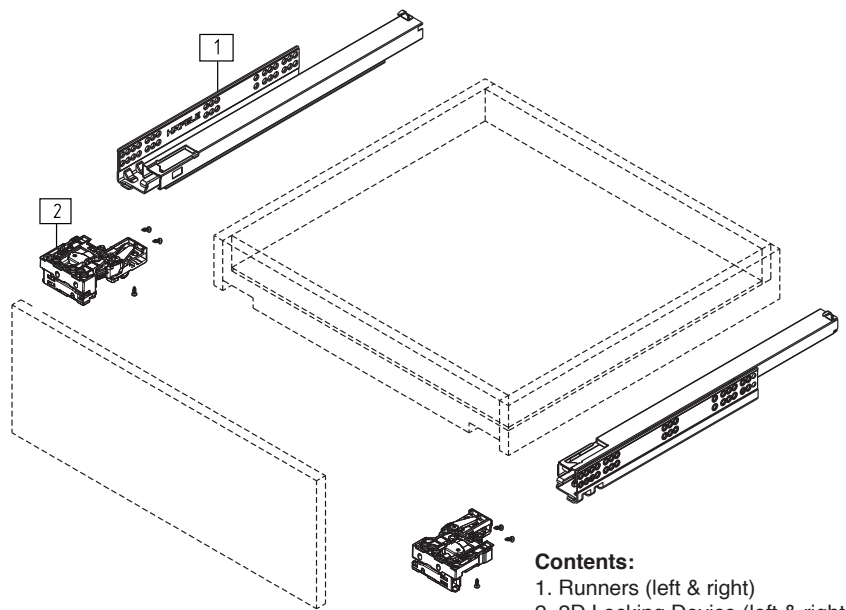
35 kg Matrix Undermount Runners	
Nominal Length	Article Number
300 mm	433.09.531
350 mm	433.09.532
400 mm	433.09.533
450 mm	433.09.534
500 mm	433.09.535
550 mm	433.09.536
600 mm	433.09.537

Space Requirement



NL: Nominal length

Soft Close Drawer

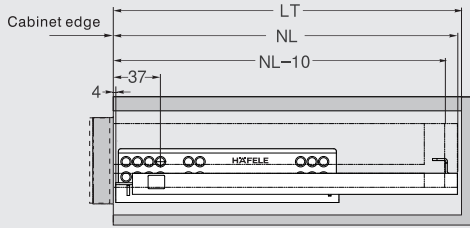


- Contents:**
- 1. Runners (left & right)
 - 2. 2D Locking Device (left & right)

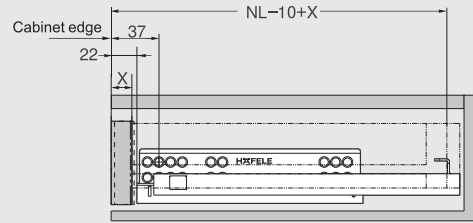
MATRIX UM

Drawer Installation Dimensions

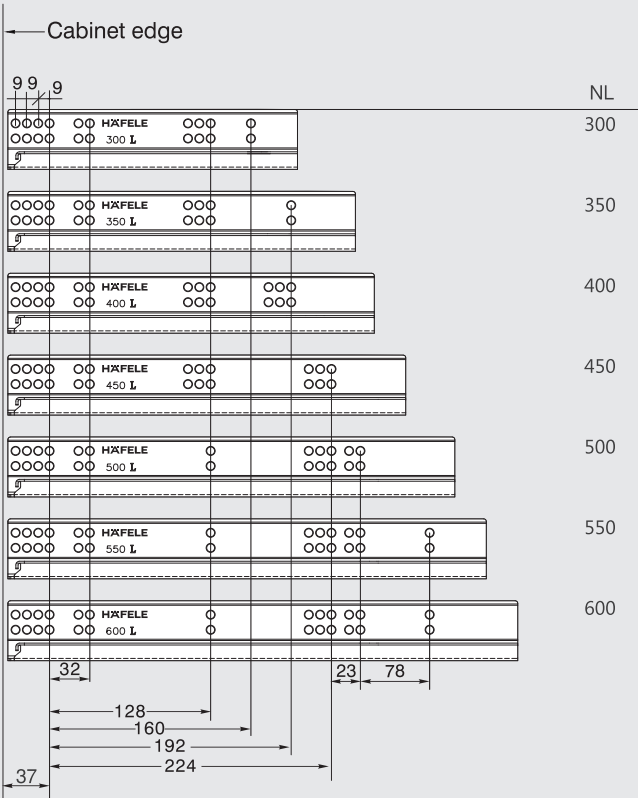
NL=Nominal Runner Length
 LT=Internal Cabinet Depth
 LTmin=NL+3



NL=Nominal Runner Length
 LT=Internal Cabinet Depth
 LTmin=NL+21

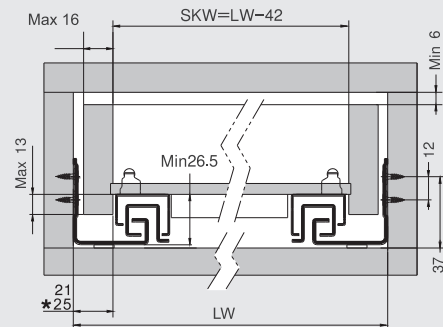


Screw Positions of the Runner

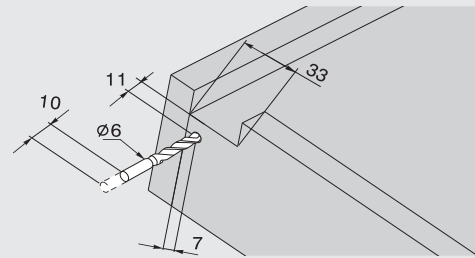


Installation Dimensions

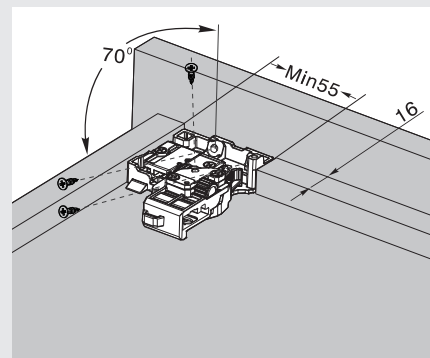
SKW = Internal Drawer Width LW = Internal Cabinet Width



Soft-closing Drawer Back Preparation



2D Locking Bracket Installation



MATRIX UM

Matrix UM 25



- > Material: Steel
 - > Finish: Zinc Plated
 - > Type: Partial-extension with integrated Soft-close
 - > Weight Carrying Capacities: 25 kg
- High Adjustments Locking Bracket

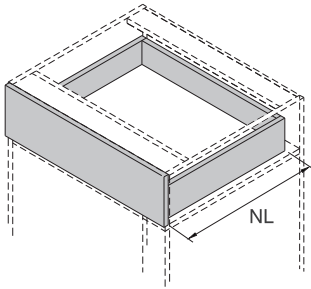
Ordering

25 kg Matrix Undermount Runners

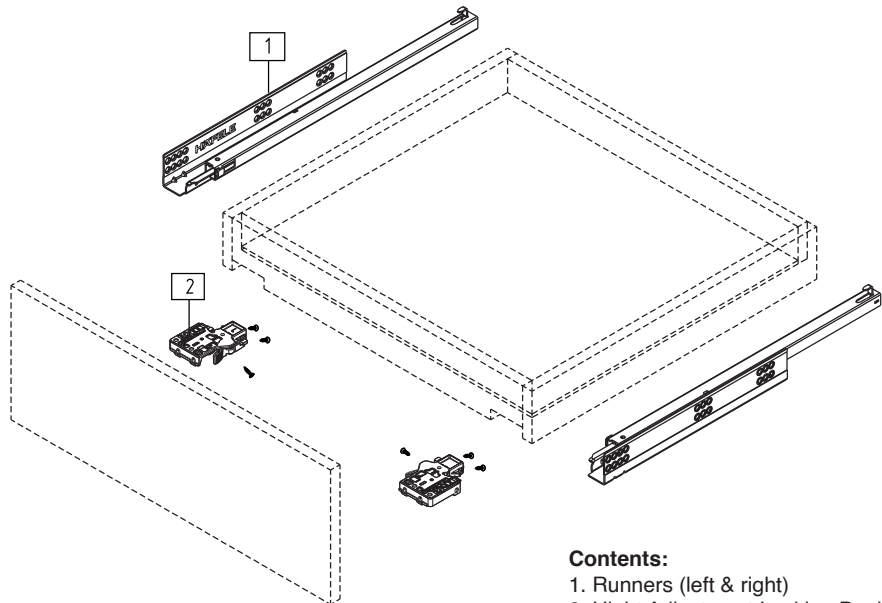
Nominal Length	Article Number
300 mm	433.31.101
350 mm	433.31.102
400 mm	433.31.103
450 mm	433.31.104
500 mm	433.31.105

Space Requirement

Soft Close Drawer



NL: Nominal Length



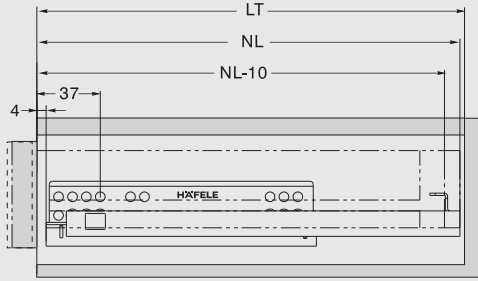
Contents:

- 1. Runners (left & right)
- 2. High Adjustment Locking Device (left & right)

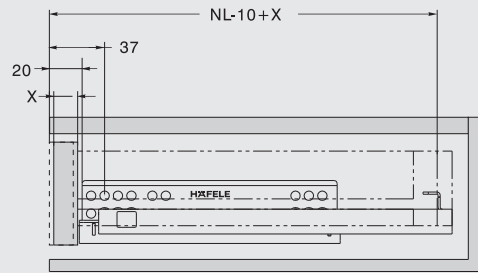
MATRIX UM

Drawer Installation Dimensions

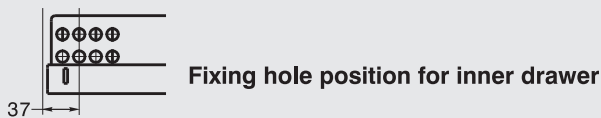
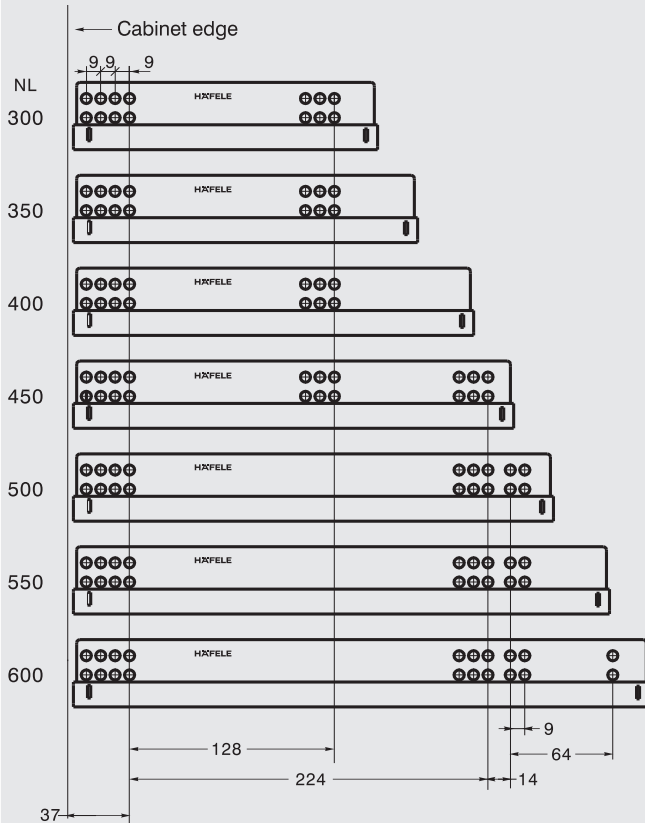
NL=Nominal Runner Length
 LT=Internal Cabinet Depth
 LTmin=NL+3



NL=Nominal Runner Length
 LT=Internal Cabinet Depth
 LTmin=NL+21

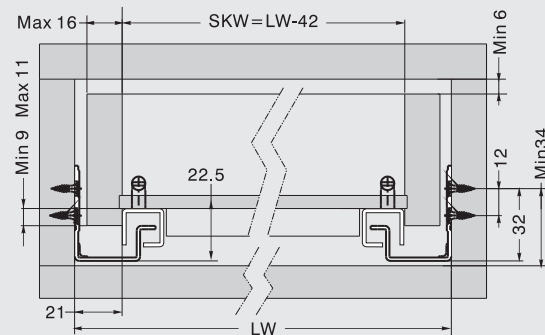


Screw Positions of the Runner

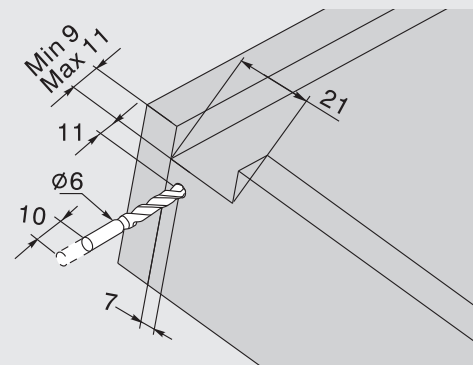


Installation Dimensions

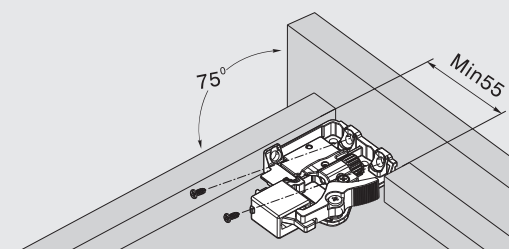
SKW = Internal Drawer Width LW = Internal Cabinet Width



Soft-closing Drawer Back Preparation



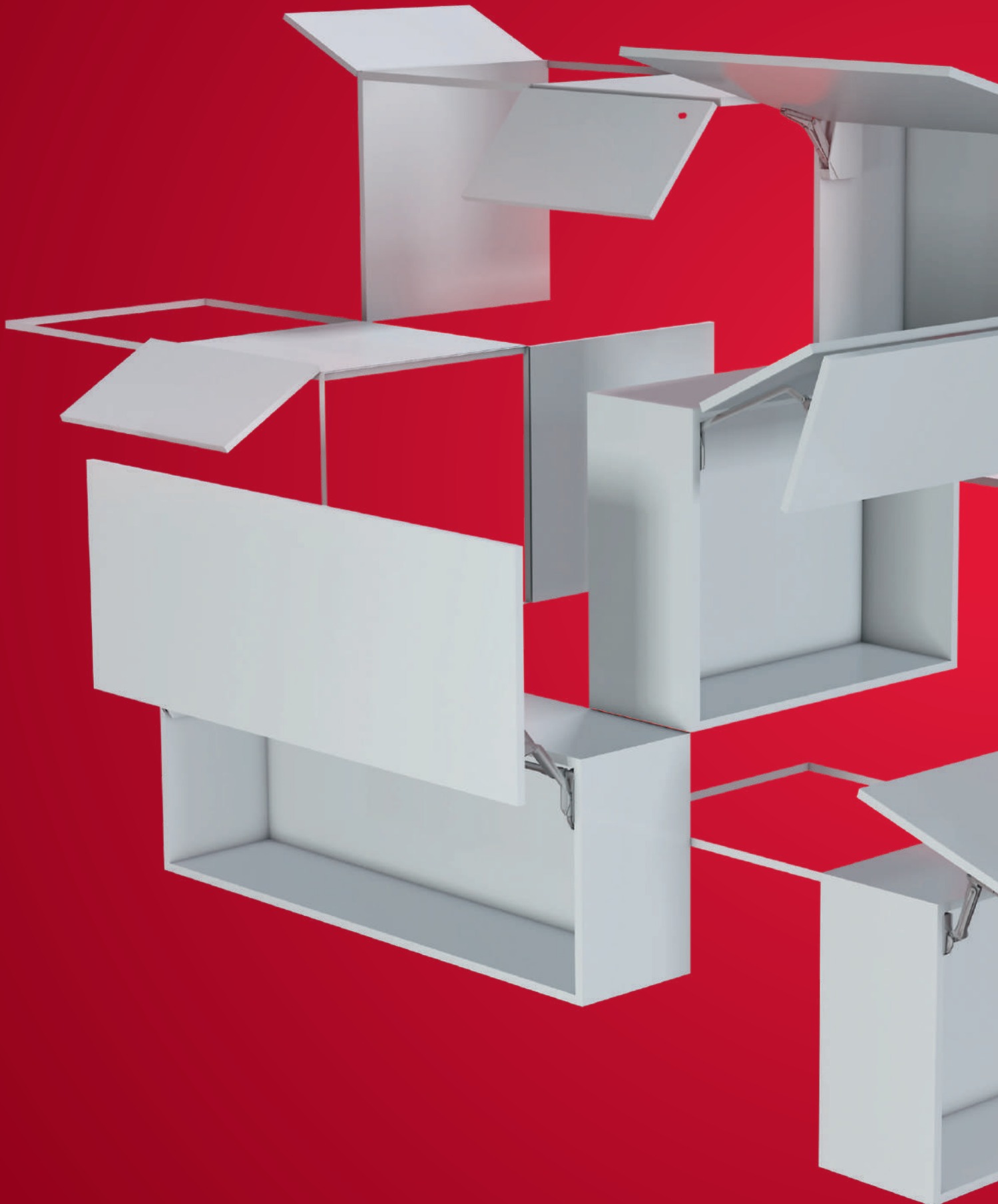
Height Adjustment Locking Bracket Installation




HÄFELE

NEW FREEDOM IN
MOTION. FREE.

LIFT SYSTEMS BY HÄFELE





THE ELEGANCE OF OPENING.
FLAPS FOR MAXIMUM FREEDOM IN MOTION.
ENGINEERED BY HÄFELE.

The fittings of the Free family give flaps new freedom in movement. This opens up more opportunities in the visual and technical design of furniture and has tangible benefits compared to hinged doors. But above all, it gives the furniture and the room undreamt elegance and lightness. It doesn't matter whether a flap is lifted, tilted, swivelled, or folded – it immediately provides added value and more efficiency when working.

Almost 100 years of experience with furniture fittings, engineering expertise, and a close connection to the market and the people who work with furniture fittings on a daily basis led to the development of this product family. Inspired by the requirements of the market of tomorrow, the Free family fulfils the demands for creative freedom, choice of material, design, ease of installation and convenient operation on a whole new level. Having cycle tested for 80,000 times, these systems meet and even exceed the LGA certification requirements. To put it simply: They are slimmer (with regard to design), lighter (to operate) and simpler (to install).



reddot design award
winner 2015



Focus Open 2015
International Designpreis
BüroWerkHamburg



GERMAN
DESIGN
AWARD
NOMINEE
2016

ELEGANT MOTION IN THE ROOM.



HINGE AND LID
STAY IN ONE.





MAXIMUM ACCESS
TO THE CABINET.



ENGINEERED
BY **HÄFELE**

MINIMAL SPACE REQUIREMENT.

FREE LIFT SYSTEMS

More Design Freedom. More Application Possibilities.

Large fronts need a lot of room to move using conventional types of opening. The Free lift systems vary the flap opening geometry in a creative way. So that the type of opening is geared to the amount of available space or is suitable for the intended application.

Free flap 1.7 / Free flap 3.15



- > Häfele Free flap 1.7: Extremely suitable for small to medium-sized flaps
- > Häfele Free flap 3.15: Extremely suitable for large, heavy flaps in wall units
- > Featherlight opening
- > Hinge connection not required

Free fold



- > Ideal for high wall units with large front panels
- > Handle is always easily accessible, even with high front panels
- > Minimal space required inside the room
- > Material combination possible in the front panel design
- > Finger-safe thanks to patented finger protection of the connecting hinge

Free swing



- > Ideal for large, one-piece front panels
- > Swivels around cornice profiles and surface mounted lights
- > Cabinet contents are extremely easy to access
- > Cross bar can be shortened to individual cabinet widths

Free up



- > Ideal for larger units or wall units with front panels above
- > Also optimally suited for cabinets with cornices or side panels
- > Cross bar can be shortened to individual cabinet widths

Make the process of finding the ideal Free Lift Systems for your cabinets easy and faultless with the Häfele Configurator.



Scan this QR code to download the mobile application and Log in/Sign Up to access the Free Family Configurator.

Android



iOS



Then simply enter the specifications as directed by the interface to receive the list of article numbers you would need to order as per your unique requirements.

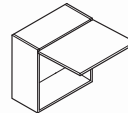
FREE LIFT SYSTEMS

SLIMMER : Space-saving Design



Slimmer
Intelligent technology reduces
the space requirement.

More attractive
Elegant design with functionality.



Free flap 1.7:
Only 108 mm wide and 36 mm slim
Free flap 3.15:
Only 131 mm wide and 36 mm slim

2

Free Lift Systems

Free lift systems combine hinge and lid stay into one unit – this reduces not just the amount of space that the hardware requires in the cabinet but it also looks significantly more elegant. More room, due to the slimline, discreet fittings, increases the amount of usable space in the cabinet interior. The consistent development of the 3-spring system and the motion geometry of the fittings has resulted in a slimmer construction of the housing.



Free fold:
Only 288 mm wide and 25.5 mm slim



Free up:
Only 277 mm wide and 25.5 mm slim



Free swing:
Only 273 mm wide and 25.5 mm slim (without arm)

FREE LIFT SYSTEMS

LIGHTER: Easier Operations With Comfort

2

Free Lift Systems

The main focus while developing the range was on providing maximum ease to the user. With the Free Lift Systems, Häfele has created new standards. The range turns opening and closing a cabinet into an experience.



1. FEATHER-LIGHT MOVEMENT

The flaps can be moved with a minimum amount of effort while opening or closing. This is possible even with heavy flaps.



2. SOFT OPENING AND CLOSING

Undampened stops are a thing of the past. The final movement of the flaps is soft and silent in both directions.



3. MULTI-POSITION STOP

The flaps are held reliably in any position, regardless of the flap weight, making the handle reachable at all times.



4. CONVENIENT OPENING AND CLOSING

Electric motion support by Free E-Drive for maximum operating convenience. If required or necessary the flaps can always be operated manually.



5. PUSH-TO-OPEN

For front panels without handles - applying a slight pressure on the bottom of the front opens the flap slightly (in case of Free flap 1.7 and 3.15)



6. SAFETY-STOP (In Case of Free Fold)

The center hinges that connect the two parts of the Free fold flap feature a quick-release finger protection that prevents your fingers from getting caught or crushed .

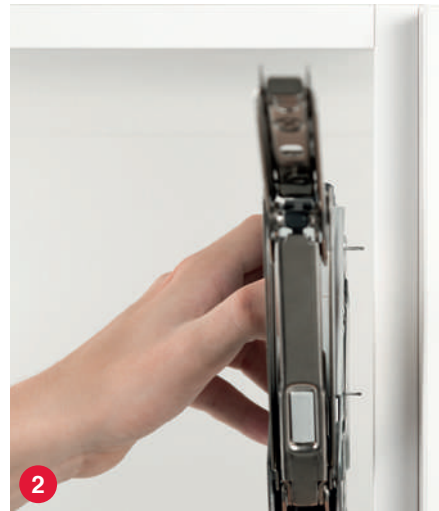
FREE LIFT SYSTEMS

SIMPLER : Quicker Installation Saves Time

An impressive advantage of the Free family is its globally unique simple and quick installation. From one-handed installation and screw fixing of the fittings to clip-on mounting of the flaps, all working steps are optimized in such a way that the fitter saves a noticeable amount of time – for more efficiency.



1
DRILLING TEMPLATES:
 Precise locating of the drill holes is made easier using the paper template provided with each fitting



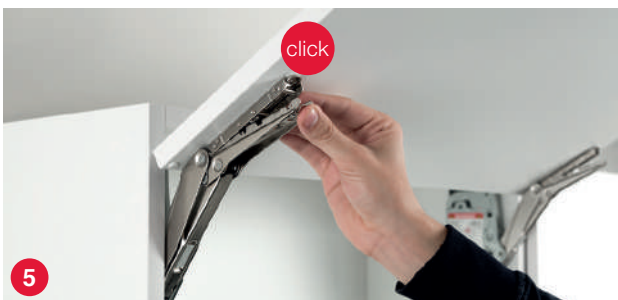
2
UNIQUE BUILT-IN POSITIONING PINS:
 For installing the fitting with a secure hold.



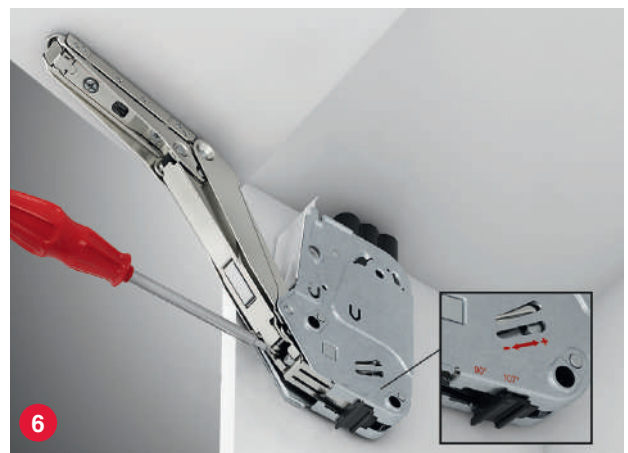
3
GLOBALLY UNIQUE:
 Can be installed with one hand.



4
SYMMETRICAL SCREW-ON BRACKETS:
 For torsion-free fixing.



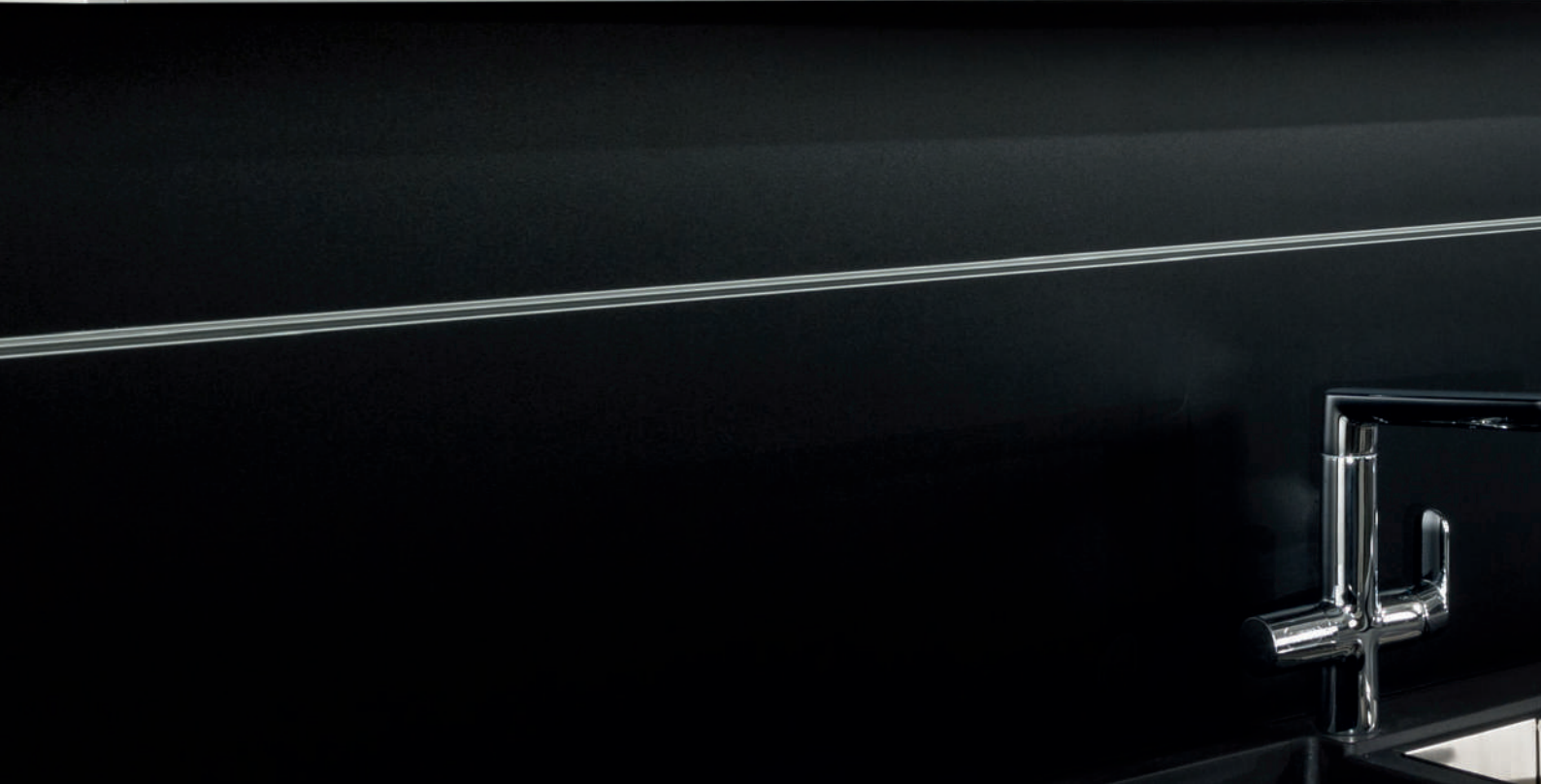
5
INSTALLATION WITH CLIP-ON SYSTEM:
 Flap mounting is simple and secure. Dismantling is also done without tools.



6
CONVENIENT ADJUSTMENT:
 Accurate weight balancing of the front panel is achieved using simple access from the front. The same applies to achieve the optimum gap pattern via the three-dimensional adjustments.

2

Free Lift Systems





FREE FLAP

FREE FLAP 1.7 / 3.15



- > Hinge-less stay flap fittings: The two models - Free flap 1.7 and 3.15 are designed for all of the most common cabinet height and flap weight combinations
- > Pleasant operating experience even with heavy flaps
- > Stylish and compact design makes the cabinet interiors easy to access, and allows the fitting to be used even in furniture with low depth (starting at only 109 mm)
- > For front panels made from wood, glass or with aluminium frame
- > Common mechanism to achieve Soft Close or Push-to Open motion
- > Adaptable E-Drive for an electrically operated comfort solution
- > Cover caps for Free Flap 3.15 are also suitable for installation with Free Flap 1.7 to provide a harmonious look in cabinet interiors
- > Extremely suitable for installation in combination with cornices
- > Easy, practical and time-saving installation process

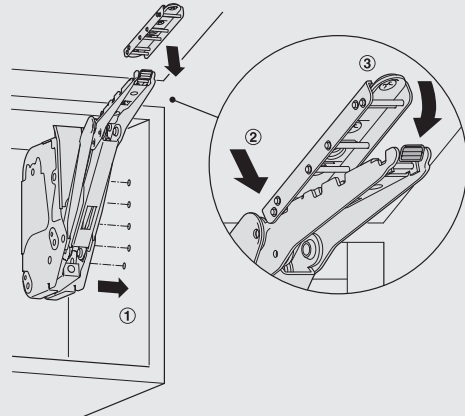
2

Technical Specifications



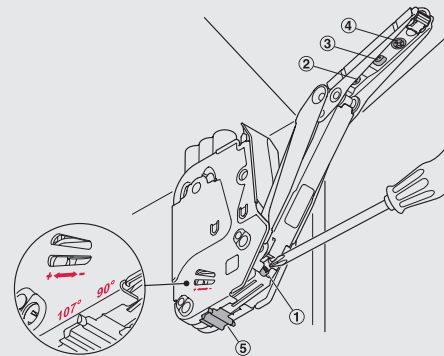
- > Area of application: For stay flap front panels with or without handle (push-to-open)
- > Material: Fitting: Steel, Cover cap: Plastic
- > Finish/colour: Fitting: Nickel plated, Cover cap: Grey, white or anthracite
- > For cabinet height: 200–450 mm (1.7) / 350–650 mm (3.15)
- > Min. cabinet depth: 109 mm (1.7) / 132 mm (3.15)
- > Opening angle: 90° or 107° (In 1.7, opening angle of 90° can be achieved by adding an optional opening angle restraint; in 3.15 the angles are adjustable on the fitting)
- > Adjustment facility: Height/lateral/ tilting angle of front panel ± 1.5 mm, Weight balancing of front panel
- > Installation: Fitting: for screw fixing on pre-drilled side panel with pre-mounted Euro screws and built-in positioning pins, Front Panel: Tool-free assembly (clip system) onto pre-mounted screw-on brackets of the mechanism arms

Quick Fixing System



- ① Fit the lift mechanism in place onto the pre-drilled side panel with the help of the built-in positioning pins and tighten the pre-mounted Euro screws
- ②–③ Fit and engage the front panel onto the Free Flap arm

Ease of Adjustment



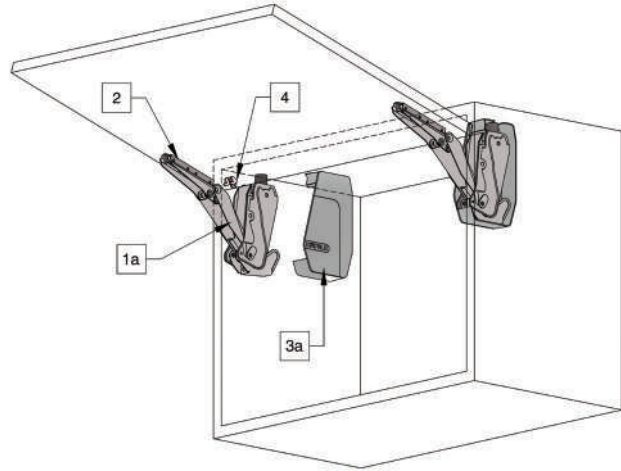
- ① Weight Balancing
- ②–④ Three dimensional adjustments to achieve optimum gap pattern – ② Height Adjustment: ± 1.5 mm ③ Lateral Adjustment: ± 1.5 mm ④ Tilt Adjustment: $\pm 1.5^\circ$
- ⑤ Built-in Opening Angle Stop (only for Free Flap 3.15)

FREE FLAP 1.7 / 3.15

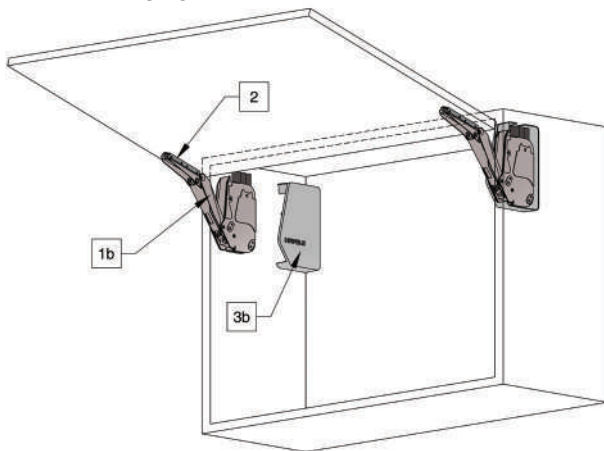
Product Specification



FREE FLAP 1.7



FREE FLAP 3.15



- 1a Free Flap 1.7 Lift System
- 2 Front Fixing Brackets
- 3a Cover Caps for Free Flap 1.7
- 4 Opening Angle Stop

- 1b Free Flap 3.15 Lift System
- 2 Front Fixing Brackets
- 3b Cover Caps for Free Flap 3.15

Mechanism Selection Table as Per Flap Weight (including handle)

Cabinet Height (in mm)	FREE FLAP 1.7			FREE FLAP 3.15			
	A	B	C	D	E	F	G
	Front Panel Weight (in Kg)						
200	1.7–4.6	3.6–7.9	6.8–14.7				
225	1.5–4.1	3.1–7.1	6.0–13.1				
250	1.3–3.8	2.9–6.4	5.4–11.8				
275	1.2–3.3	2.5–5.7	4.8–10.6				
300	1.1–3.1	2.4–5.1	4.4–9.6				
325	1.0–2.8	2.1–4.6	4.0–8.8				
350	0.9–2.6	2.0–4.2	3.7–8.1	5.2–11.0	6.7–14.3	10.1–21	13.5–27.3
375	0.9–2.3	1.9–3.8	3.5–7.5	4.9–10.2	6.3–13.1	9.4–19.8	12.5–25.2
400	0.8–2.1	1.7–3.6	3.2–7.0	4.7–9.6	5.9–12.4	8.9–18.6	11.8–23.3
425	0.7–1.9	1.5–3.4	2.9–6.5	4.4–9.0	5.6–11.6	8.3–17.4	11.0–21.8
450	0.6–1.7	1.4–3.2	2.7–6.1	4.1–8.4	5.2–10.9	7.8–16.3	10.4–20.5
475				3.9–8.0	4.9–10.3	7.4–15.4	9.8–19.3
500				3.7–7.5	4.7–9.7	7.0–14.6	9.2–18.3
525				3.5–7.1	4.4–9.2	6.6–13.9	8.8–17.3
550				3.3–6.8	4.2–8.8	6.3–13.2	8.3–16.5
575				3.2–6.5	4.0–8.4	6.0–12.5	8.0–15.6
600				3.0–6.2	3.8–8.0	5.7–12.0	7.6–15.0
625				2.8–5.9	3.6–7.6	5.4–11.5	7.2–14.4
650				2.6–5.6	3.4–7.3	5.3–11.0	6.9–14.0

FREE FLAP 1.7 / 3.15

Ordering Information

Standard Configuration Sets and Components



FREE FLAP 1.7 SETS*	
Model	Article No.
A	372.38.151
B	372.38.152
C	372.38.153

*Consist of: Free Flap 1.7 Lift Mechanism - Left and Right, 2 Front Fixing Brackets for Wooden Front Panels or Front Panels with Wide Aluminium Frame (Min. Frame Width: 45 mm) and Paper Template

FREE FLAP 3.15 SETS*	
Model	Article No.
D	372.38.154
E	372.38.155
F	372.38.156
G	372.38.157

*Consist of: Free Flap 3.15 Lift Mechanism - Left and Right, 2 Front Fixing Brackets for Wooden Front Panels or Front Panels with Wide Aluminium Frame (Min. Frame Width: 45 mm) and Paper Template

2

Free Lift Systems



Cover Caps			
Free Flap System	Anthracite	Grey	White
1.7	372.38.158	372.38.159	372.38.160
3.5	372.38.161	372.38.162	372.38.163

Unit: 1 Pair

Note: Cover caps for Free Flap 3.15 are also suitable for installation with Free Flap 1.7

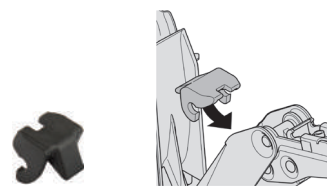


Narrow Aluminium Frame Adapters	
Finish	Article No.
Nickel-plated	372.91.599

Unit: 1 Pair

Note: Fitting is visible with float and satin frosted glass, passe-partout or obscure glass may therefore be used.

- > For flaps with 20 mm aluminium frame
- > M4 x 10 mm fixings included
- > Material: Zinc alloy



Opening Angle Stop	
Finish	Article No.
Black	372.91.499

Unit: 1 Pair

- > For limiting opening angle of 107° to 90°
- > Only applicable for Free Flap 1.7 sets

Individual Components



1: Free Flap 1.7 Lift System		
Model	Article No.	
	Left	Right
A	372.91.601	372.91.600
B	372.91.603	372.91.602
C	372.91.605	372.91.604

Unit: 1 Piece

Free Flap 3.15 Lift System		
Model	Article No.	
	Left	Right
D	372.91.262	372.91.261
E	372.91.264	372.91.263
F	372.91.266	372.91.265
G	372.91.258	372.91.257

Unit: 1 Piece

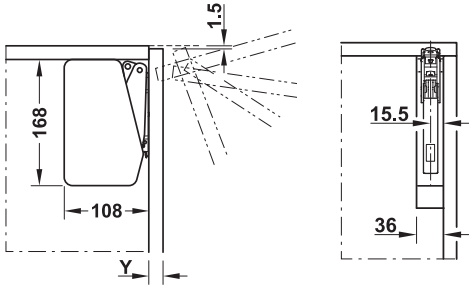
Front Fixing Brackets	
Fixing	Article No.
Screw-on	372.56.560

Unit: 1 Pair

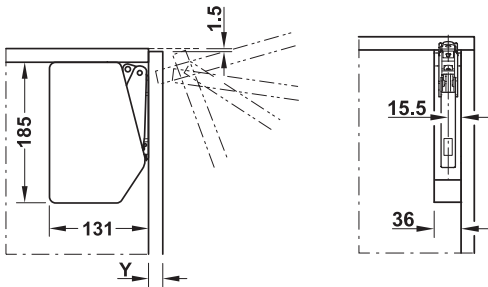
FREE FLAP 1.7 / 3.15

Planning

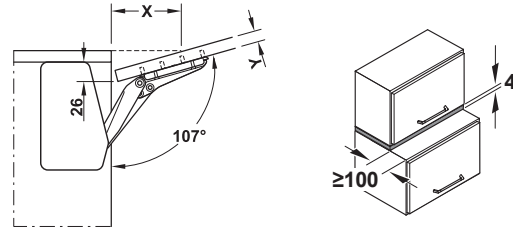
Free Flap 1.7



Free Flap 3.15



Space Requirement

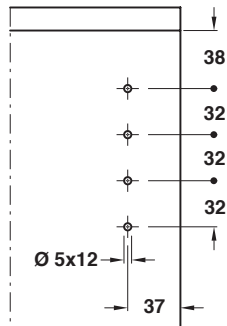


Front panel thickness Y mm	16	19	22	26	28
Distance X mm (with top panel thickness 16 mm)	83	74	64	52	46

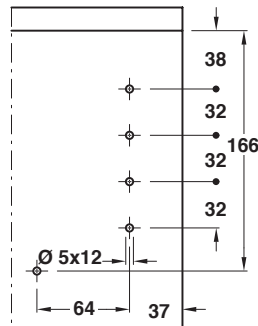
2

Carcase Drilling Positions

Free Flap 1.7

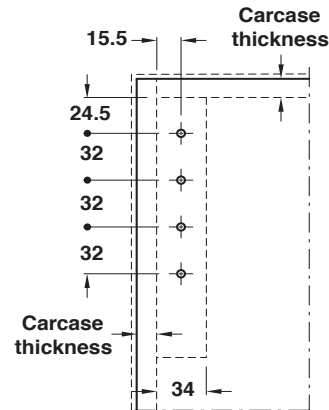


Free Flap 3.15

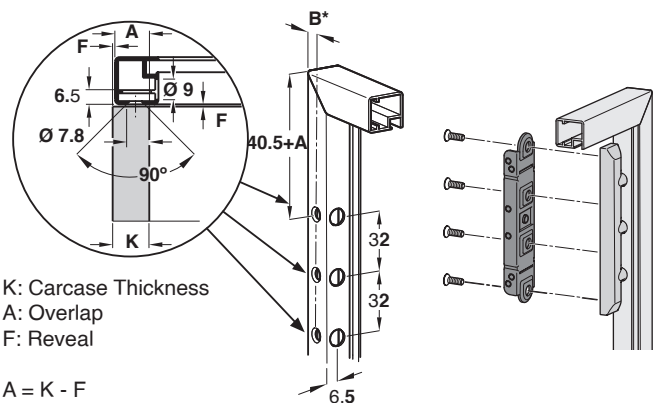


Front Panel Drilling Positions

Wooden / Wide Aluminium Framed Panel



Narrow Aluminium Framed Panel



K: Carcase Thickness
A: Overlap
F: Reveal

A = K - F
B = A - 5.5 mm

B : 7 mm (minimum), 13.5 mm (maximum)

Free Lift Systems

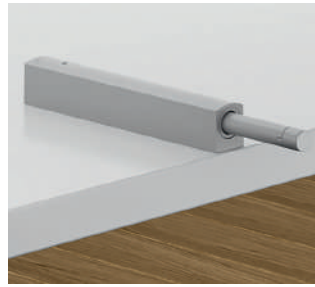
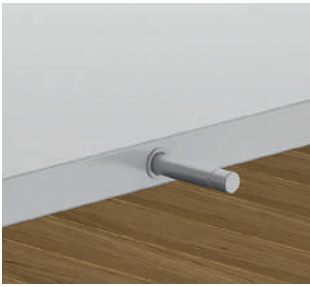


SCAN ME

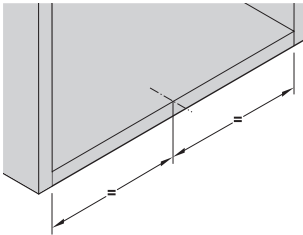
SCAN ME

FREE FLAP 1.7 / 3.15 - PUSH-TO-OPEN ACCESSORIES

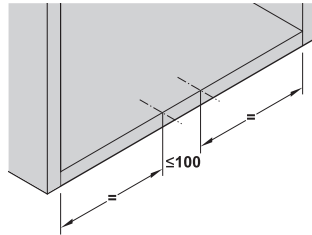
Push-to-Open Triggers and Housing



- > Area of application: For front panels without handle, with Free flap 1.7 and 3.15 stay flap fitting, up to a width of max.1,200 mm
- > Material: Plastic
- > Installation: For mounting in drilled hole Ø 10 mm or sliding into screw-on housing
- > Adjustment facility: Front gap +4 mm
- > Release distance approx. 2 mm



Positioning with 1 push-to-open trigger



Positioning with 2 push-to-open triggers

Differentiation criteria of the model versions

Colour-coded housing underside for differentiation between models type 1 (green), type 2 (yellow) and type 3 (blue)



2

Free Lift Systems

Push-to-Open Trigger Selection Table

Free Flap 1.7

Cabinet height (mm)	Push-to-Open Triggers (Model & Quantity)				
	Type 1 x 1	Type 2 x 1	Type 3 x 1	Type 2 x 2	Type 3 x 2
	Front Panel Weight in Kg				
200	1.7 - 3.1	3.1 - 5.4	5.4 - 8.3	8.3 - 12.3	12.3 - 14.7
225	1.5 - 2.9	2.9 - 4.7	4.7 - 7.1	7.1 - 11.6	11.6 - 13.1
250	1.3 - 3.1	3.1 - 5.1	5.1 - 6.9	6.9 - 10.5	10.5 - 11.8
275	1.2 - 3.3	3.0 - 5.0	5.0 - 6.8	6.8 - 10.0	10.0 - 10.6
300	1.1 - 3.0	2.7 - 4.6	4.6 - 6.6	6.6 - 9.6	
325	1.0 - 3.0	2.6 - 4.2	4.2 - 6.0	6.0 - 8.8	
350	0.9 - 2.9	2.4 - 4.2	3.9 - 5.9	5.9 - 8.1	
375	0.9 - 2.7	2.7 - 3.9	3.9 - 5.7	5.7 - 7.5	
400	0.8 - 2.7	2.7 - 3.8	3.8 - 5.6	5.6 - 7.0	
425	0.7 - 2.3	2.3 - 4.0	4.0 - 5.0	5.0 - 6.5	
450	0.6 - 2.4	2.4 - 3.3	3.3 - 5.1	5.1 - 6.1	

Free Flap 3.15

Cabinet height (mm)	Push-to-Open Triggers (Model & Quantity)				
	Type 1 x 1	Type 2 x 1	Type 3 x 1	Type 2 x 2	Type 3 x 2
	Front Panel Weight in Kg				
350		5.2-8.1	6.7-11.8	10.1-18.1	17.9-27.3
400		4.7-9.0	7.9-12.3	10.7-17.9	17.2-23.3
450	4.1-5.0	5.0-8.4	7.8-10.9	10.2-16.7	16.7-20.5
500	3.7-4.9	4.7-7.8	7.0-10.7	10.0-16.0	16.0-18.3
550	3.3-4.9	4.5-7.5	6.8-10.4	9.7-15.3	15.3-16.5
600	3.0-4.7	4.2-7.2	6.7-10.2	9.2-15.0	
650	2.6-4.1	3.4-6.4	5.3-10.5	8.4-14.0	

FREE FLAP 1.7 / 3.15 - PUSH-TO-OPEN ACCESSORIES

Ordering Information

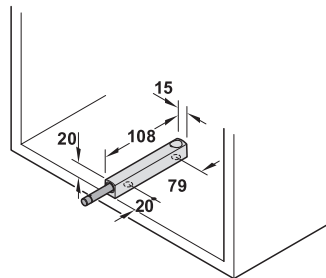


- > For mounting in drilled hole Ø 10 x 90 mm
- > Material: Plastic with rubber buffer



Push-To-Open Triggers					
Model	Colour Code	Ejection Force	Anthracite	Grey	White
Type 1	Green	17 - 23 N	372.91.390	372.91.500	372.91.700
Type 2	Yellow	22 - 34 N	372.91.391	372.91.501	372.91.701
Type 3	Blue	26 - 48 N	372.91.392	372.91.502	372.91.702

Unit: 1 Piece



- > Recommended type of screw: Head Ø : 7-9 mm,
Thread Ø 3.5–4.5 mm, Screw length >15 mm
- > Material: Plastic



Screw-On Housing	
Colour	Article No.
Anthracite	372.91.393
Grey	372.91.503
White	372.91.703

Unit: 1 Piece

FREE FLAP 1.7 / 3.15 - E-DRIVE

- > **Free E-Drive is Häfele's electro-mechanical movement assistance for the entire application area of the Free family**
- > The electrical drive solution is perfectly coordinated with all Free Lift Systems
- > Standard programming and operating functions for all Free E applications
- > The installation position and the range of applications of the Free Flap fittings remain unchanged
- > Component installation can be done practically without tools
- > The E-Drive unit can be retrofitted at any time to the standard mechanical fitting
- > Extremely quiet and smooth running
- > With integrated free-swing function for effortless manual operation of the flap (even in the event of a power failure)
- > Automatic safety stop function interrupts the opening or closing movement if obstacles are detected
- > Parallel connection for up to three drive units, collision avoidance with cross-corner installations and temporary disabling of the drive to clean the flap fronts can also be programmed (optional)



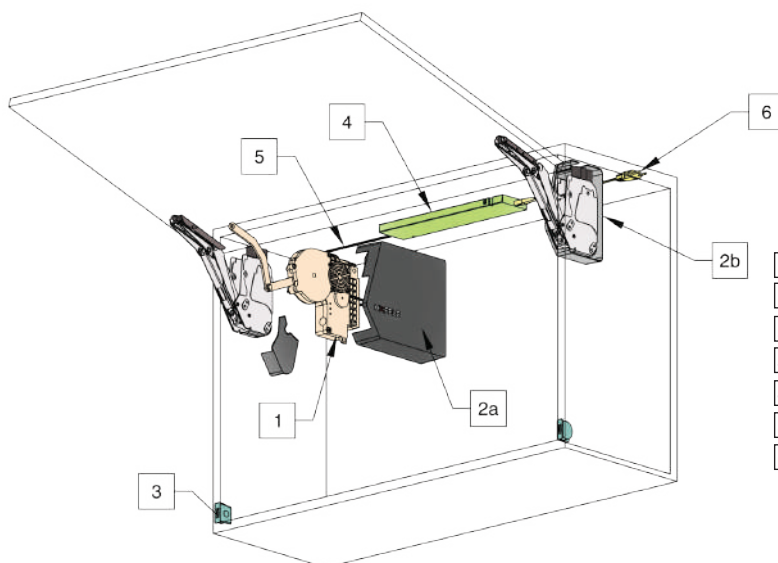
2

Free Lift Systems



- > Area of application: Drive housing: Zinc alloy, Cover caps: Plastic
- > Material: Fitting: Nickel plated, Cover cap: Grey, white or anthracite
- > For flap width: <1,200 mm (>1,200 mm = 2 sets)
- > Min. cabinet depth: 109 mm (1.7) / 132 mm (3.15)
- > Input voltage: 100–240 V AC/50–60 Hz/1.3 A
- > Nominal voltage: 24 V DC/3.75 A
- > Output voltage: For interior cabinet lighting: 24 V DC/1.2 A
- > Stand-by power consumption: 1 W
- > Radio Frequency: 2.4 GHz
- > Protection class: II
- > Installation: E-Drive unit for screw fixing onto left Free fitting, Push button sender for recess installation in side panel (drill hole Ø 35 mm)

FREE FLAP 1.7/ 3.15



- 1 Free Flap E-Drive Mechanism
- 2a Cover Cap for E-Drive Mechanism
- 2b Cover Cap for Free Flap 3.15
- 3 Push Button Switches
- 4 Loox 24V Driver
- 5 Connecting Cable
- 6 Loox Power Supply Cable

FREE FLAP 1.7 / 3.15 - E-DRIVE

Ordering Information

Sets



E-Drive Set For Free Flap 1.7 / 3.15*	
For Models	Article Number
A - G	372.38.165
*Consists of: 1 Free Flap 1.7 / 3.15 E-Drive Unit, 1 Loox Driver: 90 W- 24V, 1 Loox Power Supply Cable and 1 Connection Cable	

E-Drive Free Flap Cover Cap Set*			
Free Flap Systems	Anthracite	Grey	White
1.7 E / 3.15 E	372.38.186	372.38.185	372.38.184
*Consists of: 1 Cover Cap for E-Drive (left) and 1 Cover Cap for Free Flap 3.15 (right)			

Unit: 1 Set

Individual Components



Free Flap E-Drive Mechanism Set*	
For Models	Article No.
A - G	372.91.099
*Consists of: Free Flap E-Drive Mechanism, 1 E-Drive Front Fixing Bracket and 2 E-Drive Push Button Switches	

Unit: 1 Set

E-Drive Push Button	
Finish	Article No.
Grey	372.91.097

Unit: 1 Pair

- > Radio frequency: 2.4 GHz
- > Replaceable CR 2032 button cell lithium battery included

LOOX 24 V Driver	
Wattage	Article No.
90 W	833.77.949

Unit: 1 Piece

- > Only 1 E-drive unit can be connected to one driver
- > Colour: Black
- > With overload protection
- > Degree of Protection: IP 20



LOOX Power Supply Cable		
Type of plug	Length	Article No.
EU	2000 mm	833.89.002

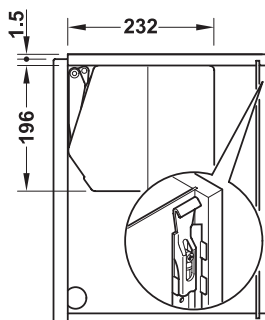
Unit: 1 Piece



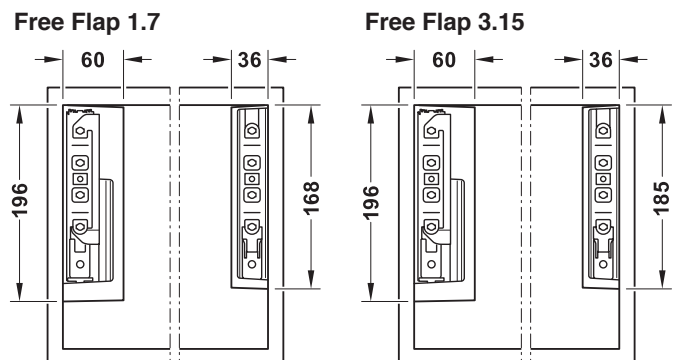
Connecting Cable	
Length	Article No.
1400 mm	850.00.022

Unit: 1 Piece

Planning

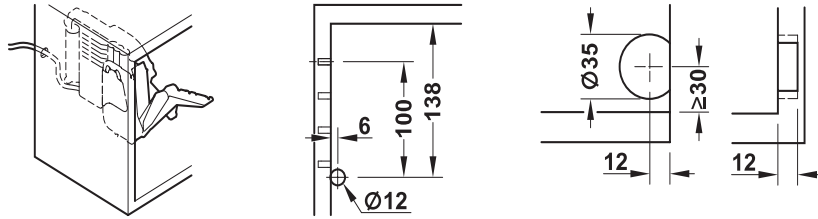


Space Requirement



FREE FLAP 1.7 / 3.15 - E-DRIVE

Cable Guide and Push Button Switch Installation



Installation and Programming

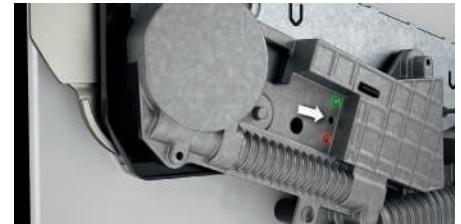
2



> The E-Drive drive unit sits on the left-hand fitting. The lead is simply inserted into the drive unit.



> 24 V interior cabinet lighting from the Loox product range can also be operated using the drive unit.
> The light switches on when the flap is opened.



> The push button sender assigning and the programming of other functions take place via a switching button directly on the drive unit. All programming processes are accompanied and acknowledged by visual and acoustic system feedback.

Operation



> Opening: The sensor switches, which are usually recessed in the side panels, react to gentle pressure on the flap front.
> They emit a radio signal and the flap moves quietly and automatically to the open position.



> Closing: Pressing the button on the inner surface of the sensor switch sends a radio signal to the drive, which then automatically closes the flap.
> The movement to the closed position takes place quietly and gently.



> The free-swing function integrated in all E-Drive drive units makes effortless manual operation of the flap applications possible.
> The multi-position stop function that is typical of the Free flap fittings ensures that the flap locks securely in any position.



SCAN ME





KOCHEN LEICHT GEMACHT
Die Welt der bedruckten Öle
sich von der Küche
GORDON RAMSAY
ESSEN & TRINKEN
riva

ESSEN & TRINKEN



FREE FOLD

FREE FOLD



- > For two-piece flaps with division 1:1 made from wood or with aluminium frame
- > High front panels can be lifted up in a space-saving way
- > The handle is reachable at all times
- > Pleasant operating experience even with heavy flaps
- > Stylish and compact design
- > Flap front panel material combinations possible
- > Safety stop
- > Minimum opening resistance, multi-position stop function and integrated soft opening and soft closing mechanisms for ease and convenience
- > For use in combination with standard 110° concealed hinges
- > Adaptable E-Drive for an electrically operated comfort solution
- > Practical and quick installation

2

Highest Operating Convenience



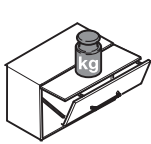
- > Minimum opening resistance
- > Flap locks in any position (multi-position stop)
- > Smooth, soft closing movement

Technical Specifications

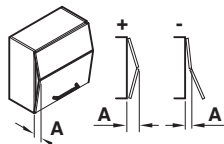
- > Material: Fitting: Steel, Cover cap: Plastic
- > Finish/colour: Fitting: Galvanised, Cover cap: Grey, white or anthracite
- > Max. cabinet height: 1040 mm
- > Min. cabinet depth: 288 mm
- > Max. cabinet width: 1800 mm (with 4 lift mechanisms)
- > Adjustment facility: Height/ side/ depth of top flap (via concealed hinge) and lower flap (via connecting hinge)
Weight balancing of panel /centre pull (via lift mechanism)
- > Installation: Fitting: for screw fixing on pre-drilled side panel with pre-mounted Euro screws and built-in positioning pins, Front Panel: Tool-free assembly (clip system) onto pre-mounted screw-on brackets of the mechanism arms

Free Lift Systems

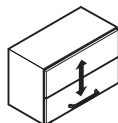
Adjustment facility



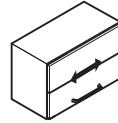
Weight balancing adjustment



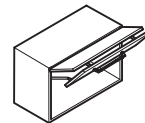
Centre pull adjustment



Height adjustment
±3 mm

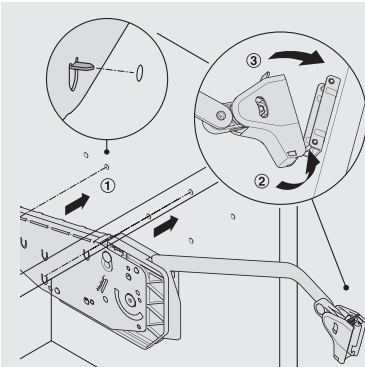


Side adjustment
± 3 mm



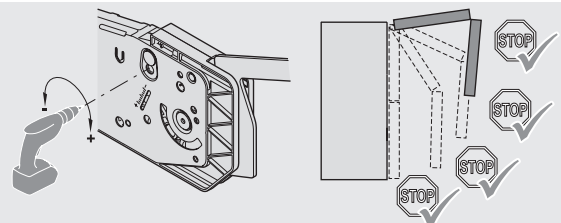
Opening angle adjustment

Quick Fixing System



- ① Fit the lift mechanism in place onto the pre-drilled side panel with the help of the built-in positioning pins and tighten the pre-mounted Euro screws
- ② Attach top half of front panel, engage arm of fitting in front fixing bracket of lower half of front panel

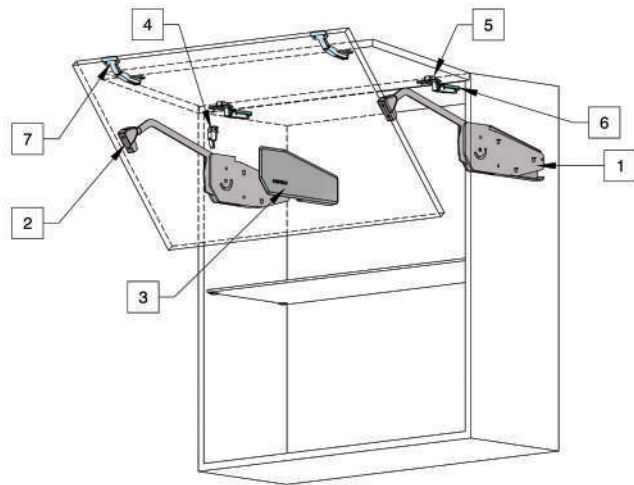
Weight Balancing Adjustment of Fitting



- > Insert PZ2 screw driver all the way into the opening (as shown above).
- > Set the cordless screwdriver on low-speed torque.
- > Ensure the same weight balancing adjustment is carried out on both sides (left and right).

FREE FOLD

Product Specification



- 1 Free Fold Lift System
- 2 Front Fixing Brackets
- 3 Cover Caps
- 4 Opening Angle Stop
- 5 Duomatic 110° Concealed Hinge for Top Flap
- 6 Straight Mounting Plate for Duomatic Concealed Hinge
- 7 Connecting Hinge

Mechanism Selection Table and Ordering Information

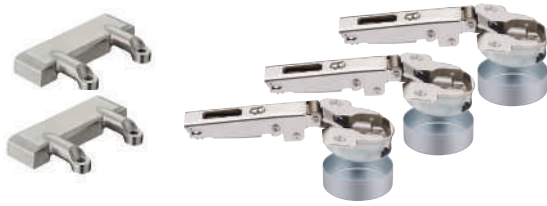
Standard Configuration Sets & Components

Free Fold Sets*			
Model	Cabinet height (mm)	Flap weight (kg)	Article No.
C3fo	480-530	5.2-11.1	372.38.102
C4fo	480-530	7.8-16.3	372.38.103
C5fo	480-530	12.7-26.5	372.38.101
D3fo	520-590	4.8-10.3	372.38.105
D4fo	520-590	7.2-15.2	372.38.106
D5fo	520-590	11.8-24.5	372.38.104
E3fo	580-650	4.3-9.2	372.38.107
E4fo	580-650	6.5-13.5	372.38.108
F3fo	650-730	3.9-8.3	372.38.109
F4fo	650-730	5.8-12.2	372.38.110
G4fo	710-790	5.3-11.1	372.38.111
G5fo	710-790	8.7-18.0	372.38.112
H4fo	770-840	4.9-10.3	372.38.113
H5fo	770-840	8.0-16.7	372.38.114
I5fo	840-910	7.3-15.3	372.38.115
J5fo	910-970	6.8-14.2	372.38.116
K5fo	960-1010	6.5-13.5	372.38.117
K6fo	960-1010	8.6-17.3	372.38.118
L5fo	1000-1040	6.2-12.9	372.38.100

*Consist of: Free Fold Lift Mechanism - Left and Right, 2 Front Fixing Brackets for Wooden Front Panels or Front Panels with Wide Aluminium Frame (Min. Frame Width: 45 mm), 3 Connecting Hinges, 3 Metalla 510 110° Concealed Hinges, 3 Straight Clip Mounting Plates and Paper Template

FREE FOLD

Ordering Information



Hinge and Adapter Kit for Narrow Aluminium Profile*	
Article No.	372.38.122
*Consist of: 2 Narrow Aluminium Frame Adapters and 3 Narrow Aluminium Profile Hinges	

Unit: 1 Set



Cover Caps			
Material	Anthracite	Grey	White
Plastic	372.38.119	372.38.120	372.38.121

Unit: 1 Pair

2



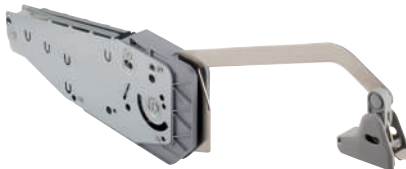
Opening Angle Stop	
Finish	Article No.
Grey	372.37.060

Unit: 1 Piece

- > Restricts the opening angle to 90° for low level applications
- > Material: Plastic
- > 2 pieces required per flap fitting set



Individual Components



Free Fold		
Model	Article No.	
	Left	Right
L5fo	372.37.699	
C5fo	372.38.188	372.38.187
C3fo	372.37.612	
C4fo	372.37.613	
D5fo	372.38.194	372.38.193
D3fo	372.38.190	372.38.189
D4fo	372.38.192	372.38.191
E3fo	372.37.831	372.37.830
E4fo	372.37.833	372.37.832
F3fo	372.91.607	372.91.606
F4fo	372.91.609	372.91.608
G4fo	372.91.611	372.91.610
G5fo	372.37.853	372.37.852
H4fo	372.91.613	372.91.612
H5fo	372.91.615	372.91.614
I5fo	372.38.196	372.38.195
J5fo	372.37.684	
K5fo	372.37.694	
K6fo	372.37.691	

Unit: 1 Piece/ 1 Pair



Front Fixing Brackets	
Fixing	Article No.
Screw-on	372.38.200

Unit: 1 Pair

- > For front panel made from wood or with wide aluminium frame



Metalla 510 - 110° Concealed Hinge For Top Flap	
Fixing	Article No.
Screw-on	329.17.600

Unit: 1 Piece



Straight Mounting Plate	
Fixing	Article No.
Clip	329.67.043

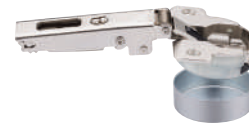
Unit: 1 Piece

- > Material: Steel/ Zamac
- > Finish: Nickel plated
- > Adjustment facility: Side adjustment from -1.5 to +4.5 mm (via Hinge), Depth Adjustment from -0.5 mm to 2.8 mm (via Mounting Plate) Height Adjustment : 2 mm (via Mounting Plate)
- > With automatic closing spring
- > Mounting: Screw Mounting



FREE FOLD

Ordering Information



Narrow Aluminium Frame Adapters	
Finish	Article No.
Nickel-plated	372.37.044

Unit: 1 Pair

Note

Fitting is visible with float and satin frosted glass, passe-partout or obscure glass may therefore be used.

- > For flaps with 20 mm aluminium frame
- > Material: Zinc alloy
- > Fixing material supplied



Metalla 510 - Narrow Aluminium Profile Hinge	
Cup fixing	Article No.
For screw fixing	329.48.517

Unit: 1 Piece

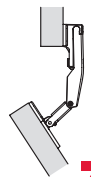
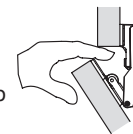
- > Material: Alloy cup: Zinc, Hinge arm: Steel
- > Finish: Nickel plated
- > Adjustment facility: Side adjustment from -1.5 to +4.5 mm (via Hinge),
Depth Adjustment from -0.5 mm to 2.8 mm (via Mounting Plate)
Height Adjustment : 2 mm (via Mounting Plate)
- > Installation: Using Straight mounting plate for screw fixing
- > Drilling depth: Hinge cup 12.5 mm
- > Opening angle: 105°
- > With automatic closing spring
- > To be installed with Straight Mounting Plate (329.67.043)



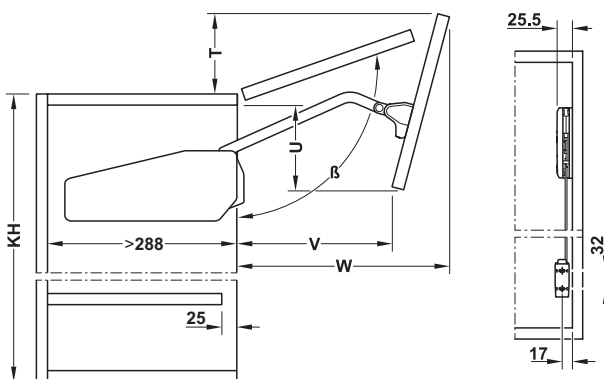
Connecting Hinge	
Fixing	Article No.
Screw-on	372.64.796

Unit: 1 Piece

- > Area of application: For wooden flaps and flaps with aluminium frame, from frame width 20 mm
- > Material: Zinc alloy
- > Finish: Nickel plated
- > Adjustment facility: 3-dimensional, side adjustment ± 2 mm, gap adjustment -2 to $+1$ mm, depth adjustment ± 1.5 mm
- > With **finger protection system**: The hinge comes apart when fingers get trapped unintentionally in the gap of the flap.



Planning and Space Requirement

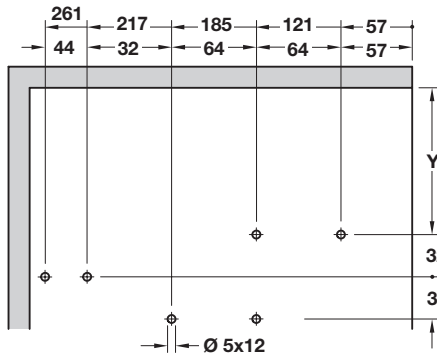


- β : Opening angle
- KH: Cabinet height
- K: Panel thickness
- T: Space required on top of the cabinet
- W: Space required in front of the cabinet
- X: Drilling distance for screw hole for front fixing brackets from lower edge of front panel

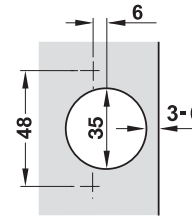
KH	β (°)	Q	R (mm)	S (mm)	T (mm)	U (mm)	V (mm)	W (mm)
480-530	~107-96	1.1	426	328	100-37	100-155	203-186	328-370
520-590	~107-93	1.1	466	347	106-23	112-184	213-190	347-401
580-650	~108-95	1.2	589	377	119-40	126-197	227-207	375-430
650-730	~107-94	1.2	664	409	124-38	147-224	238-215	411-470
710-790	~108-95	1.2	736	439	136-46	161-233	250-219	439-500
770-840	~108-95	1.0	644	467	146-43	179-223	267-200	466-527
840-910	~108-98	1.2	882	501	154-70	195-248	272-231	502-559
910-970	~107-98	1.1	865	533	160-78	214-246	282-225	536-588
960-1010	~107-100	1.1	915	557	170-99	228-251	295-240	560-605
1000-1040	~107-102	1.1	954	576	177-120	239-256	306-256	578-616

FREE FOLD

Carcase Drilling Positions



Metalla 510 - Concealed Hinge & Mounting Plate Drilling Pattern

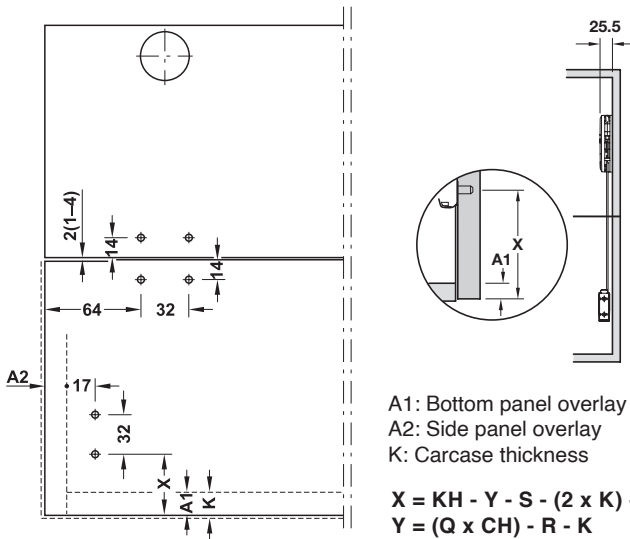


Door overlay mm													
9	10	11	12	13	14	15	16	17	18	19	20	21	
						3	4	5	6				3
Distance to cup E mm						Mounting plate distance mm							

2

Front Panel Drilling Positions

Wooden / Wide Aluminium Framed Panel



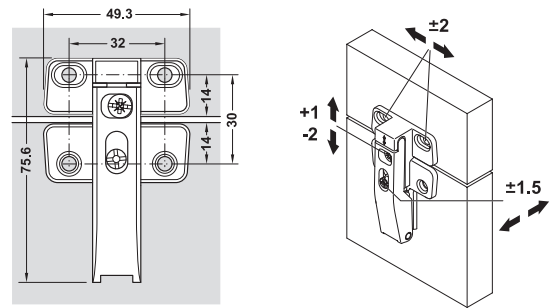
A1: Bottom panel overlay
A2: Side panel overlay
K: Carcase thickness

$$X = KH - Y - S - (2 \times K) + A1$$

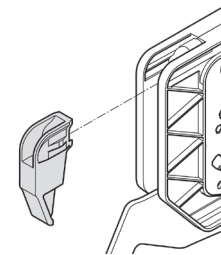
$$Y = (Q \times CH) - R - K$$

Note: use 3 hinges for flap widths >900 mm

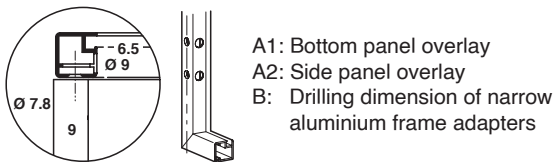
Connecting Hinge Drilling Pattern & Adjustment



Positioning of Opening Angle Stop



Narrow Aluminium Framed Panel

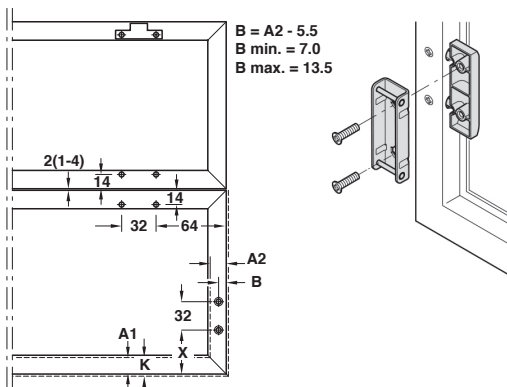


A1: Bottom panel overlay
A2: Side panel overlay
B: Drilling dimension of narrow aluminium frame adapters

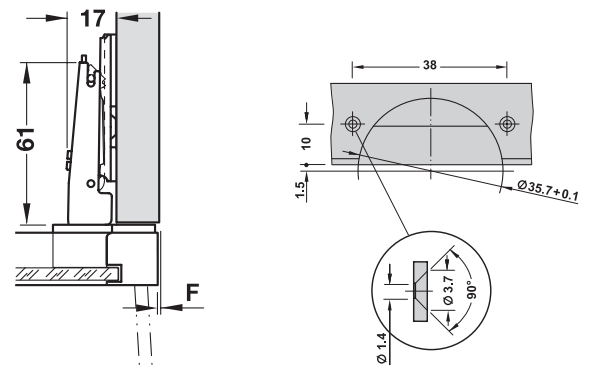
$$B = A2 - 5.5$$

$$B \text{ min.} = 7.0$$

$$B \text{ max.} = 13.5$$



Metalla 510 - Narrow Aluminium Profile Hinge & Mounting Plate Drilling Pattern



F = minimum gap



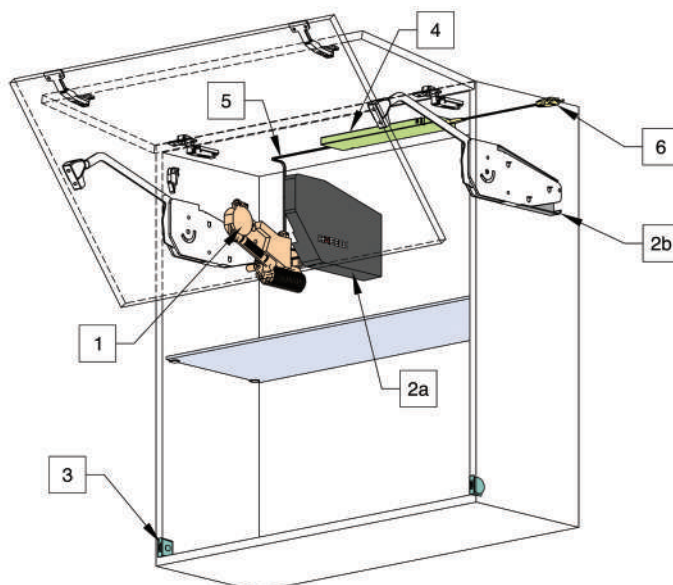
SCAN ME

FREE FOLD - E-DRIVE

- > **Free E-Drive is Häfele's electro-mechanical movement assistance for the entire application area of the Free flap fitting family**
- > The electrical drive solution is perfectly coordinated with all Free Lift Systems
- > Standard programming and operating functions for all Free E applications
- > The installation position and the range of applications of the Free Fold fittings remain unchanged
- > Component installation can be done practically without tools
- > The E-Drive unit can be retrofitted at any time to the standard mechanical fitting
- > Extremely quiet and smooth running
- > With integrated free-swing function for effortless manual operation of the flap (even in the event of a power failure)
- > Automatic safety stop function interrupts the opening or closing movement if obstacles are detected
- > Parallel connection for up to three drive units, collision avoidance with cross-corner installations and temporary disabling of the drive to clean the flap fronts can also be programmed (optional)



- > Material: Drive housing: Zinc alloy, Cover caps: Plastic
- > Finish/colour: Fitting: Nickel plated, Cover cap: Grey, white or anthracite
- > For flap width: <1,200 mm (>1,200 mm = 2 sets)
- > For cabinet height: 480 –1040 mm
- > Input voltage: 100–240 V AC/50–60 Hz/1.3 A
- > Nominal voltage: 24 V DC/3.75 A
- > Output voltage: For interior cabinet lighting: 24 V DC/1.2 A
- > Stand-by power consumption: 1 W
- > Radio Frequency: 2.4 GHz
- > Protection class: II
- > Installation: E-Drive unit for screw fixing onto left Free fitting, Push button sender for recess installation in side panel (drill hole Ø 35 mm)



- 1 Free Fold E-Drive Mechanism
- 2a Cover Cap for E-Drive Mechanism
- 2b Cover Cap for Standard Mechanism
- 3 Push Button Switches
- 4 Loox 24V Driver
- 5 Connecting Cable
- 6 Loox Power Supply Cable

FREE FOLD - E-DRIVE

Ordering Information

Sets



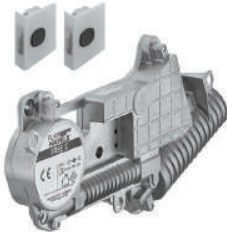
E-Drive Set For Free Fold*	
For Models	Article No.
Applicable for all Free Fold models	372.38.164
*Consists of: 1 E-Drive Unit, 2 E-Drive Push Button Switches, 1 Loox Driver: 90 W -24V, 1 Loox Power Supply Cable and 1 Connection Cable	

Unit: 1 Set

E-Drive Free Fold Cover Cap Set*		
Anthracite	Grey	White
372.38.168	372.38.167	372.38.166
*Consists of: 1 Cover Cap for E-Drive (left) and 1 Cover Cap for Standard Fitting (right)		

Unit: 1 Set

Individual Components



Free Fold E-Drive Mechanism Set*	
For Models	Article No.
A - G	372.37.099
*Consists of: Free Fold E-Drive Mechanism and 2 E-Drive Push Button Switches	

Unit: 1 Set

E-Drive Push Button Switches	
Finish	Article No.
Grey	372.91.097

Unit: 1 Pair

LOOX 24 V Driver	
Wattage	Article No.
90 W	833.77.949

Unit: 1 Piece

> Radio frequency: 2.4 GHz
> Replaceable CR 2032 button cell lithium battery included

> Only 1 E-Drive unit can be connected to one driver
> Colour: Black
> With overload protection
> Degree of Protection: IP 20



LOOX Power Supply Cable		
Type of plug	Length	Article No.
EU	2000 mm	833.89.002

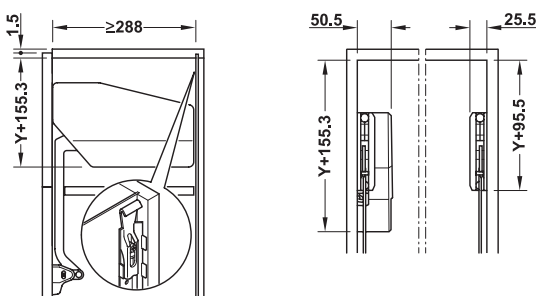
Unit: 1 Piece



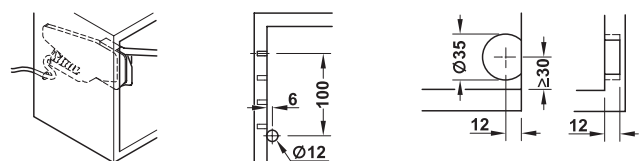
Connecting Cable	
Length	Article No.
1400 mm	850.00.022

Unit: 1 Piece

Planning and Space Requirement



Cable Guide and Push Button Switch Installation



FREE FOLD - E-DRIVE

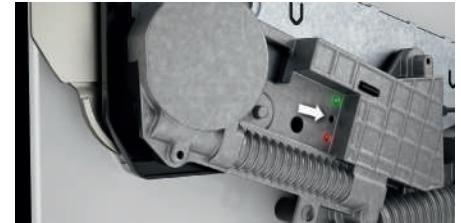
Installation and Programming



> The E-Drive drive unit sits on the left-hand fitting. The lead is simply inserted into the drive unit.



> 24 V interior cabinet lighting from the Loox product range can also be operated using the drive unit.
> The light switches on when the flap is opened.



> The push button sender assigning and the programming of other functions take place via a switching button directly on the drive unit. All programming processes are accompanied and acknowledged by visual and acoustic system feedback.

2

Operation



> Opening: The sensor switches, which are usually recessed in the side panels, react to gentle pressure on the flap front.
> They emit a radio signal and the flap moves quietly and automatically to the open position.



> Closing: Pressing the button on the inner surface of the sensor switch sends a radio signal to the drive, which then automatically closes the flap.
> The movement to the closed position takes place quietly and gently.



> The free-swing function integrated in all E-Drive drive units makes effortless manual operation of the flap applications possible.
> The multi-position stop function that is typical of the Free flap fittings ensures that the flap locks securely in any position.

Free Lift Systems



SCAN ME





FREE SWING

FREE SWING

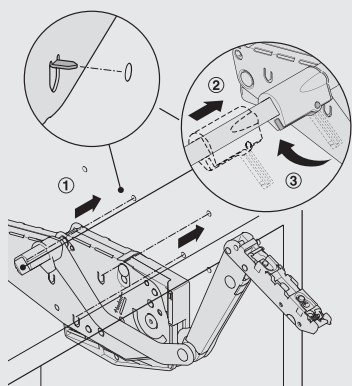


Highest Operating Convenience



- > Minimum opening resistance
- > Flap locks in any position (multi-position stop)
- > Smooth, soft closing movement

Quick Fixing System



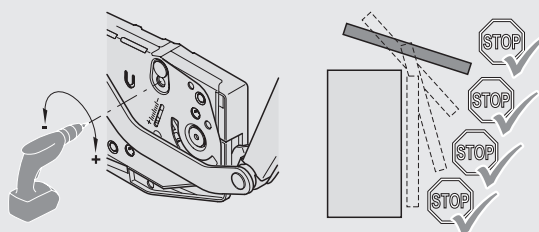
- ① Fit the lift mechanism in place onto the pre-drilled side panel with the help of the built-in positioning pins and tighten the pre-mounted euro screws
- ②-③ Insert cross bar and secure it with cross bar connectors
- ④ Fit and engage the front panel onto the Free Swing mechanism arms

- > For one-piece flaps made from wood or with aluminium frame
- > Ideal for large flaps
- > Swivels around cornice profiles and surface mounted lights
- > Full access to the cabinet contents
- > Stylish and compact design
- > Minimum opening resistance, multi-position stop function and integrated soft opening and soft closing mechanisms for extremely pleasant operating feeling
- > Adaptable E-Drive for an electrically operated comfort solution

Technical Specifications

- > Material: Fitting: Plastic, steel, Cover cap: Plastic
- > Finish/colour: Fitting: Nickel plated, Cover cap: Grey, white or anthracite
- > Maximum cabinet height: 800 mm
- > Minimum cabinet depth: 273 mm
- > Maximum cabinet width: 1800 mm (with 4 mechanisms)
- > Adjustment facility: Height adjustment ± 1.5 mm, side adjustment ± 1.5 mm, tilting angle $\pm 1.5^\circ$, Weight balancing adjustment
- > Installation: Fitting: for screw fixing on pre-drilled side panel with pre-mounted Euro screws and built-in positioning pins, Front Panel: Tool-free assembly (clip system) onto pre-mounted screw-on brackets of the mechanism arms

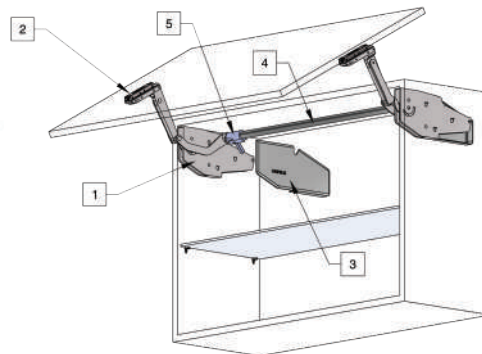
Weight Balancing Adjustment of Fitting



- > Insert PZ2 screwdriver all the way into the opening.
- > Set the cordless screwdriver on low speed torque.
- > Ensure the same weight balancing adjustment is done on both sides (left and right).

FREE SWING

Product Specification



- 1 Free Swing Lift System
- 2 Front Fixing Brackets
- 3 Cover Caps
- 4 Cross Stabilisation Bar
- 5 Cross Bar Connectors

Mechanism Selection Table & Ordering Information

Standard Configuration Sets & Components

Free Swing Sets*			
Model	Cabinet Height(mm)	Flap Weight(in kg)	Article No.
S1Sw	370-500	1.8-4	372.38.139
S2sw	500-670	2.5-5.9	372.38.142
S3sw	670-800	2.9-6.5	372.38.143
S4sw	370-500	3-6.5	372.38.140
S5sw	500-670	4.5-10	372.38.146
S6sw	670-800	5.3-11.3	372.38.144
S7sw	370-500	4.5-10.3	372.38.141
S8sw	500-670	7-15.9	372.38.147
S9sw	670-800	8-17.1	372.38.145

*Consist of: Free Swing Lift Mechanism - Left and Right, 2 Front Fixing Brackets for Wooden Front Panels or Front Panels with Wide Aluminium Frame (Min. Frame Width: 45 mm), 2 Cross Bar Connectors and Paper Template



Cover Caps			
Material	Anthracite	Grey	White
Plastic	372.38.148	372.38.149	372.38.150

Unit: 1 Pair



Narrow Aluminium Frame Adapters	
Finish	Article No.
Nickel plated	372.91.599

Note

Unit: Pair

Fitting is visible with float and satin frosted glass, passe-partout or obscure glass may therefore be used.

- > Area of application: For connecting narrow aluminium frames to front fixing brackets
- > For flaps with 20 mm aluminium frame
- > Material: Zinc alloy
- > Fixing material supplied
- > Mounting: For left or right hand use



Cross Bar		
Cabinet Width	Length	Article No
600 mm	474 mm	372.38.134
1200 mm	1074 mm	372.38.138

Unit: 1 Piece

- > Area of application: For synchronising both fitting parts
- > Material: Aluminium
- > Finish: Silver coloured anodized
- > Can be cut to size
- > Cutting dimension = internal cabinet width – 88 mm
- > Side panel thickness W: 16/19 mm

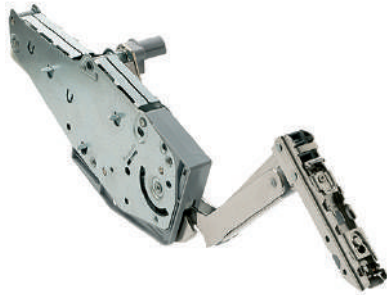
2

Free Lift Systems

FREE SWING

Ordering Information

Individual Components



Front Fixing Brackets	
Fixing	Article No.
Screw-on	372.56.560

Unit: 1 Pair



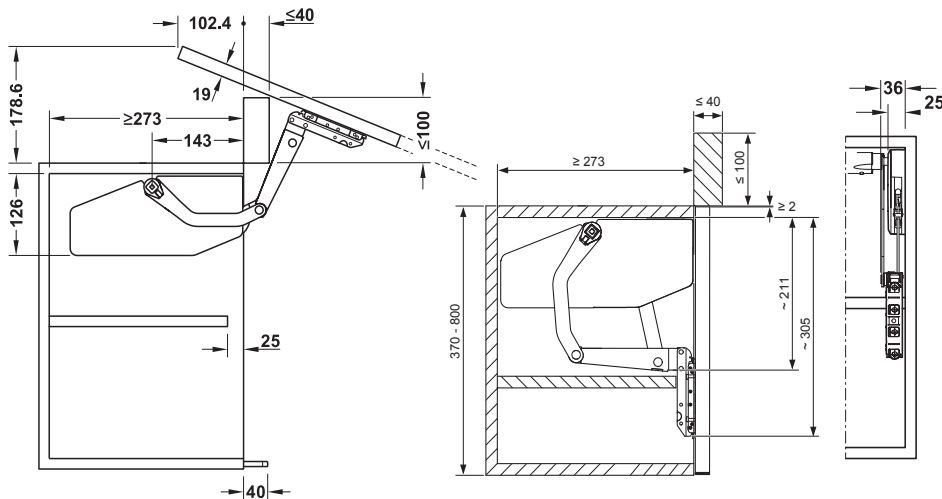
Cross Bar Connector	
Colour	Article No
Light Grey	372.38.218

Unit: 1 Piece

Model	Cabinet Height (mm)	Flap Weight (kg)	Left	Right
S1sw	370-500	1.8-4	372.34.600	
S2sw	500-670	2.5-5.9	372.34.610	
S3sw	670-800	2.9-6.5	372.34.620	
S4sw	370-500	3-6.5	372.34.601	
S5sw	500-670	4.5-10	372.38.213	372.38.212
S6sw	670-800	5.3-11.3	372.34.621	
S7sw	370-500	4.5-10.3	372.34.602	
S8sw	500-670	7-15.9	372.38.215	372.38.214
S9sw	670-800	8-17.1	372.34.622	

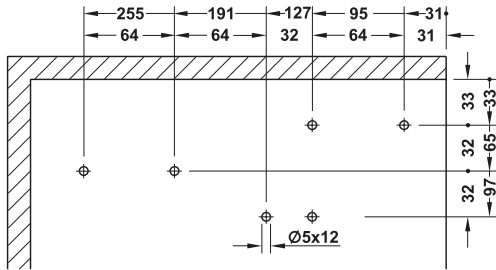
Unit: 1 Piece / Pair

Planning and Space Requirement



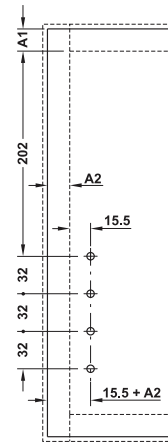
FREE SWING

Carcase Drilling Positions



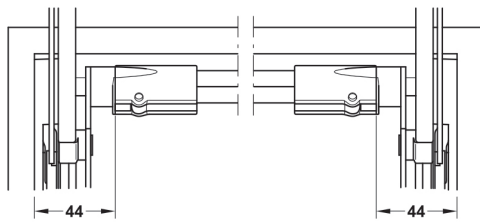
Front Panel Drilling Positions

Wooden / Wide Aluminium Framed Panel



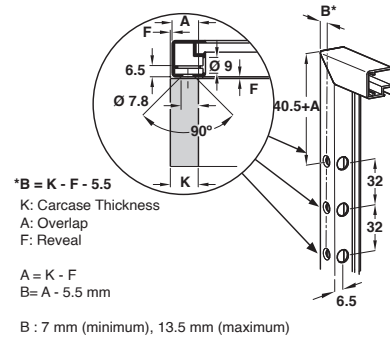
2

Cross Bar Installation



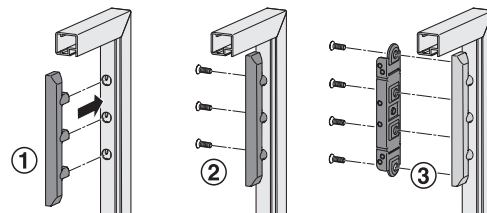
Cutting dimension = internal cabinet width – 88 mm

Narrow Aluminium Framed Panel



Free Lift Systems

Installation



SCAN ME

FREE SWING - E-DRIVE

- > **Free E-Drive is Häfele's electro-mechanical movement assistance for the entire application area of the Free flap fitting family**
- > The electrical drive solution is perfectly coordinated with all Free Lift Systems
- > Standard programming and operating functions for all Free E applications
- > The installation position and the range of applications of the Free Swing fittings remain unchanged
- > Component installation can be done practically without tools
- > The E-Drive unit can be retrofitted at any time to the standard mechanical fitting
- > Extremely quiet and smooth running
- > With integrated free-swing function for effortless manual operation of the flap (even in the event of a power failure)
- > Automatic safety stop function interrupts the opening or closing movement if obstacles are detected
- > Parallel connection for up to three drive units, collision avoidance with cross-corner installations and temporary disabling of the drive to clean the flap fronts can also be programmed (optional)

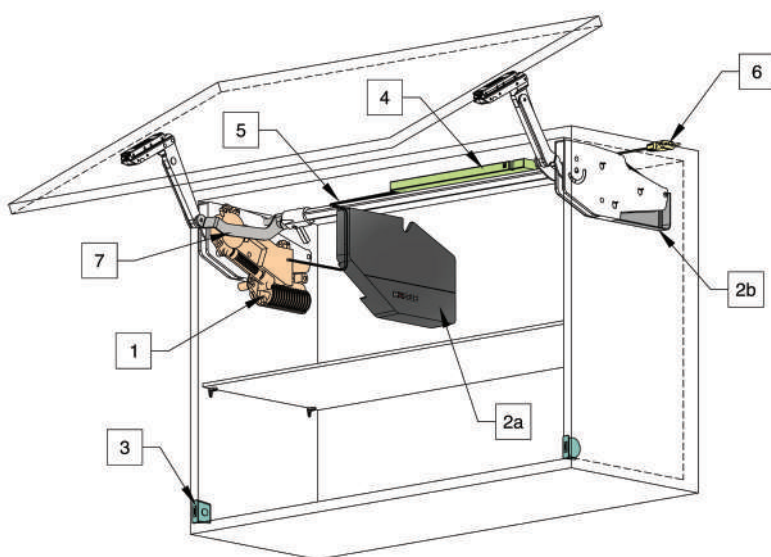


2

Free Lift Systems



- > Material: Fitting: Steel, Cover cap: Plastic, Drive housing: Zinc alloy
- > Finish/colour: Fitting: Nickel plated, Cover caps: Grey, white or anthracite
- > For cabinet height: 370–800 mm
- > For flap width: <1,200 mm (>1,200 mm = 2 sets)
- > Input voltage: 100–240 V AC/50–60 Hz/1.3 A
- > Nominal voltage: 24 V DC/3.75 A
- > Output voltage: For interior cabinet lighting: 24 V DC/1.2 A
- > Stand-by power consumption: 1 W
- > Radio frequency: 2.4 GHz
- > Protection class: II
- > Installation: E-Drive unit for screw fixing onto left Free fitting, Push button sender for recess installation in side panel (drill hole Ø 35 mm)



- 1 Free Swing E-Drive Mechanism
- 2a Cover Cap for E-Drive Mechanism
- 2b Cover Cap for Standard Mechanism
- 3 Push Button Switches
- 4 Loox 24V Driver
- 5 Connecting Cable
- 6 Loox Power Supply Cable
- 7 Free Swing E Drive Lever Arm

FREE SWING - E-DRIVE

Ordering Information

Sets



E-Drive Set For Free Swing*	
For Models	Article No.
Applicable for all Free Swing models	372.38.164
*Consists of: 1 E-Drive Unit, 2 E-Drive Push Button Switches, 1 Loox Driver: 90 W – 24V, 1 Loox Power Supply Cable and 1 Connection Cable	



Free Swing E Drive Cover Cap Set*		
Anthracite	White	Grey
372.38.168	372.38.169	372.38.170
*Consists of: 1 Cover Cap for E-drive (left), 1 Cover Cap for Standard Fitting (right) and 1 E-Drive Lever Arm		

Unit: 1 Set

2

Individual Components



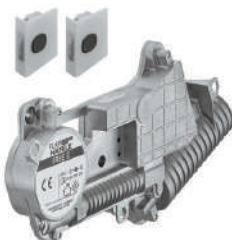
E Drive Free Swing Cover Cap Set*		
Anthracite	White	Grey
372.37.085	372.34.085	372.34.080
*Consists of: 1 Cover Cap for E-drive (left) and 1 Cover Cap for Standard Fitting (right)		

Unit: 1 Pair



Free Swing E Drive Lever Arm	
Article No.	
	372.34.090

Unit: 1 Piece



Free Swing E-Drive Mechanism Set*	
For Models	Article No.
All Free Swing models	372.37.099
*Consists of: Free Swing E-Drive Mechanism and 2 E-Drive Push Button Switches	

Unit: 1 Set

E-Drive Push Button Switches	
Finish	Article No.
Grey	372.91.097

Unit: 1 Pair

- > Radio frequency: 2.4 GHz
- > Replaceable CR 2032 button cell lithium battery included

LOOX 24 V Driver	
Wattage	Article No.
90 W	833.77.949

Unit: 1 Piece

- > Only 1 E-drive unit can be connected to one driver
- > Colour: Black
- > With overload protection
- > Degree of Protection: IP 20



LOOX Power Supply Cable		
Type of plug	Length	Article No.
EU	2000 mm	833.89.002

Unit: 1 Piece



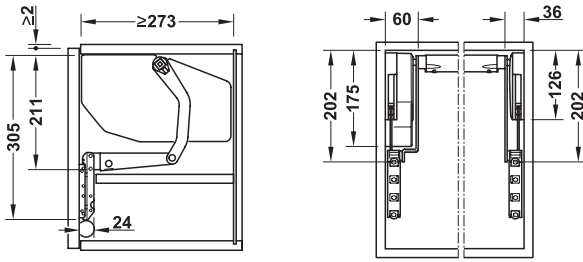
Connecting Cable	
Length	Article No.
1400 mm	850.00.022

Unit: 1 Piece

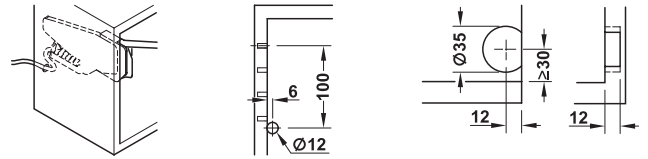
Free Lift Systems

FREE SWING - E-DRIVE

Planning and Space Requirement



Cable Guide and Push Button Switch Installation



Installation and Programming

2



> The E-Drive drive unit sits on the left-hand fitting. The lead is simply inserted into the drive unit.



> 24 V interior cabinet lighting from the Loox product range can also be operated using the drive unit.
> The light switches on when the flap is opened.



> The push button sender assigning and the programming of other functions take place via a switching button directly on the drive unit. All programming processes are accompanied and acknowledged by visual and acoustic system feedback.

Operation



> Opening: The sensor switches, which are usually recessed in the side panels, react to gentle pressure on the flap front.
> They emit a radio signal and the flap moves quietly and automatically to the open position.



> Closing: Pressing the button on the inner surface of the sensor switch sends a radio signal to the drive, which then automatically closes the flap.
> The movement to the closed position takes place quietly and gently.



> The free-swing function integrated in all E-Drive drive units makes effortless manual operation of the flap applications possible.
> The multi-position stop function that is typical of the Free flap fittings ensures that the flap locks securely in any position.



SCAN ME







FREE UP

FREE UP

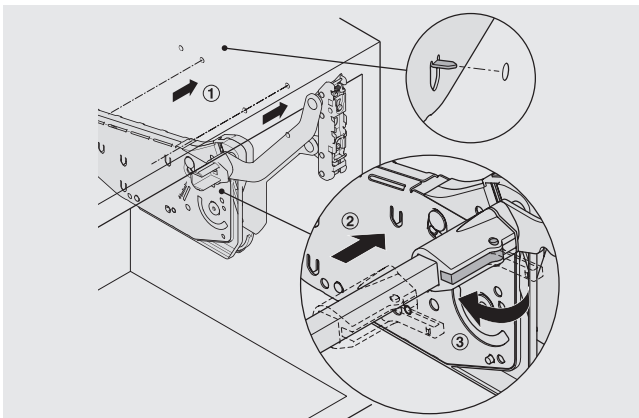


Highest Operating Convenience



- > Minimum opening resistance
- > Flap locks in any position (multi-position stop)
- > Smooth, soft closing movement

Quick Fixing System



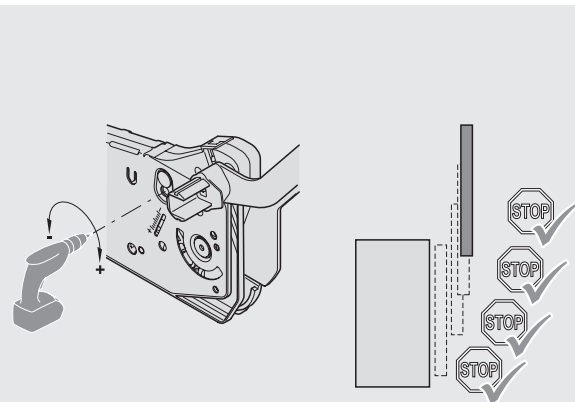
- ① Fit the lift mechanism in place onto the pre-drilled side panel with the help of the built-in positioning pins and tighten the pre-mounted euro screws
- ②-③ Insert cross bar and secure it with the cross bar connectors
- ④ Fit and engage the front panel onto the Free Up mechanism arms

- > For one-piece flaps made from wood or with aluminium frame
- > Can be used in combination with upper-mounted cabinets or front panels
- > Creates practical “niches” in tall cabinets, e.g. for electrical equipment
- > Cabinet contents are extremely easy to access
- > Excellent side stability
- > Minimum opening resistance, multi-position stop function and integrated soft opening and soft closing mechanisms for extremely pleasant operating feeling
- > Adaptable E-Drive for an electrically operated comfort solution
- > Stylish and compact design

Technical Specifications

- > Material: Fitting: Plastic, steel, Cover cap: Plastic
- > Finish/colour: Fitting: Nickel plated, Cover cap: Grey, white or anthracite
- > Maximum cabinet height: 600 mm
- > Minimum cabinet depth: 277 mm
- > Maximum cabinet width: 1800 mm (with 4 mechanisms)
- > Adjustment facility: Height adjustment ± 1.5 mm, side adjustment ± 1.5 mm, tilting angle $\pm 1.5^\circ$, weight balancing adjustment facility
- > Installation: Fitting: for screw fixing on pre-drilled side panel with pre-mounted Euro screws and built-in positioning pins, Front Panel: Tool-free assembly (clip system) onto pre-mounted screw-on brackets of the mechanism arms

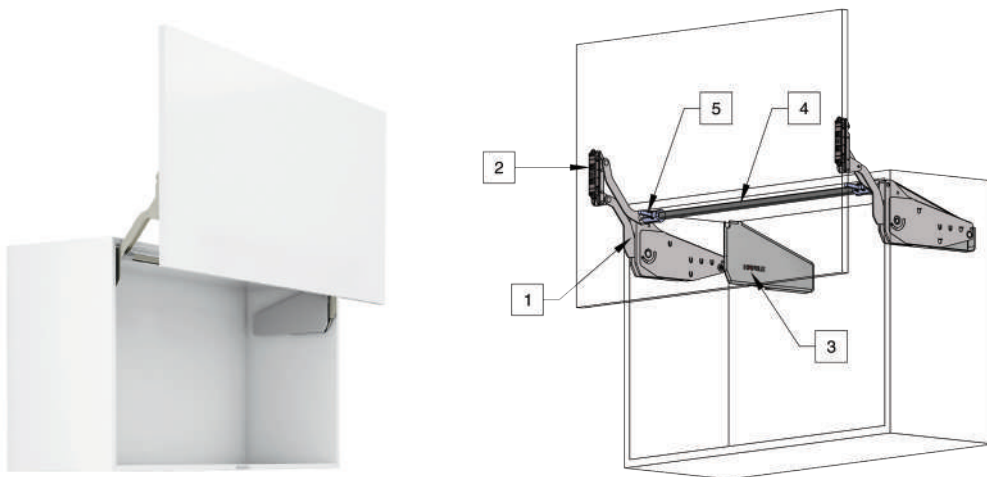
Weight Balancing Adjustment of Fitting



- > Insert PZ2 screwdriver all the way into the opening.
- > Set the cordless screwdriver on low speed torque.
- > Ensure the same weight balancing adjustment is carried out on both sides (left and right).

FREE UP

Product Specification



- 1 Free Up Lift System
- 2 Front Fixing Brackets
- 3 Cover Caps
- 4 Cross Stabilisation Bar
- 5 Cross Bar Connectors

2

Mechanism Selection Table & Ordering Information

Standard Configuration Sets & Components

Free Up Sets*			
Model	Cabinet Height(mm)	Flap Weight(in kg)	Article No.
P1us	345-420	2.4-4.8	372.38.123
P2us	345-420	4.1-8	372.38.124
P3us	345-420	7.4-14	372.38.127
Q1us	380-500	2.0-3.8	372.38.125
Q2us	380-500	3.4-6.7	372.38.126
Q3us	380-500	6.3-11.8	372.38.128
Q4us	380-500	9.3-17.4	372.38.129
R1us	430-600	1.6-3.3	372.38.130
R2us	430-600	2.6-5.5	372.38.131
R3us	430-600	5.0-9.7	372.38.132
R4us	430-600	7.4-14.6	372.38.133

Consists of: Free Up Lift Mechanism - Left and Right, 2 Front Fixing Brackets for Wooden Front Panels or Front Panels with Wide Aluminium Frame (Min. Frame Width: 45 mm), 2 Cross Bar Connectors and Paper Template

Free Lift Systems



Cover Caps			
Material	Anthracite	Grey	White
Plastic	372.38.135	372.38.136	372.38.137

Unit: 1 Pair



Narrow Aluminium Frame Adapters	
Finish	Article No.
Nickel plated	372.91.599

Unit: Pair

Note

Fitting is visible with float and satin frosted glass, passe-partout or obscure glass may therefore be used.

- > Area of application: For connecting narrow aluminium frames to front fixing brackets
- > For flaps with 20 mm aluminium frame
- > Material: Zinc alloy
- > Fixing material supplied
- > Mounting: For left or right hand use



Cross Bar		
Cabinet Width	Length	Article No
600 mm	474 mm	372.38.134
1200 mm	1074 mm	372.38.138

Unit: 1 Piece

- > Area of application: For synchronising both fitting parts
- > Material: Aluminium
- > Finish: Silver coloured anodized
- > Can be cut to size
- > Cutting dimension = internal cabinet width – 88 mm
- > Side panel thickness W: 16/19 mm

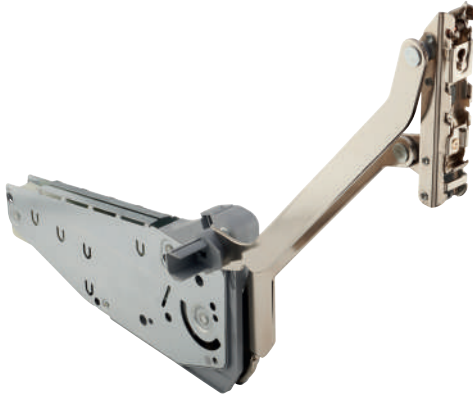


FREE UP

Ordering information

Individual Components

2



Model	Cabinet Height(mm)	Flap Weight(in kg)	Left	Right
P1us	345-420	2.4-4.8	372.33.610	
P2us	345-420	4.1-8	372.33.611	
P3us	345-420	7.4-14	372.33.612	
Q1us	380-500	2.0-3.8	372.33.620	
Q2us	380-500	3.4-6.7	372.33.621	
Q3us	380-500	6.3-11.8	372.38.202	372.38.201
Q4us	380-500	9.3-17.4	372.38.204	372.38.203
R1us	430-600	1.6-3.3	372.33.630	
R2us	430-600	2.6-5.5	372.33.631	
R3us	430-600	5.0-9.7	372.38.206	372.38.205
R4us	430-600	7.4-14.6	372.38.208	372.38.207

Unit: 1 Piece / Pair

Front Fixing Brackets	
Fixing	Article No.
Screw-on	372.56.560

Unit: 1 Pair

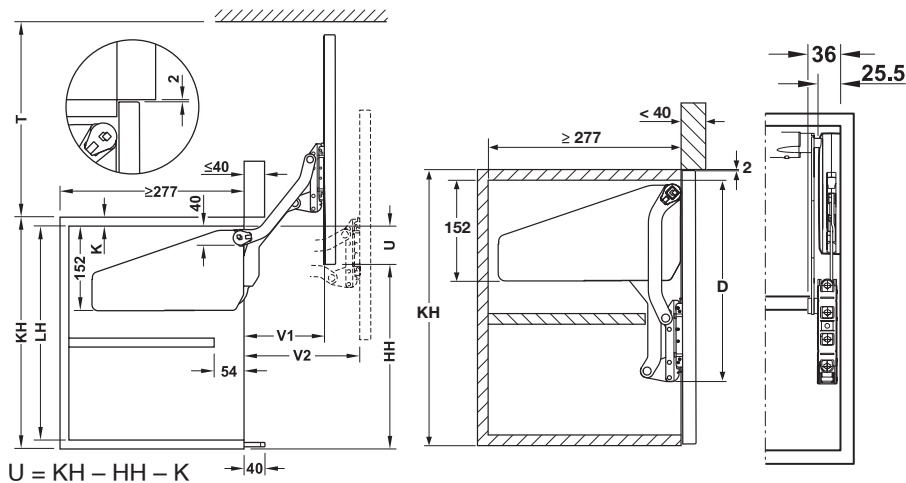


Cross Bar Connector	
Colour	Article No.
Light Grey	372.38.218

Unit: 1 Piece

Free Lift Systems

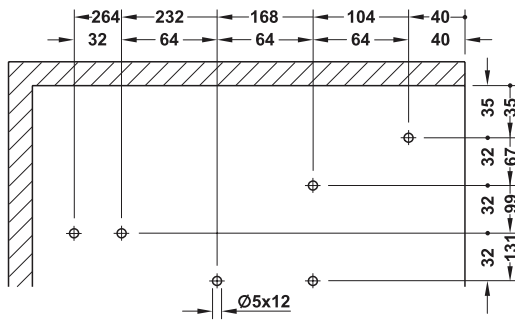
Planning and Space Requirement



Cabinet height KH mm	D	LH mm	HH mm	T mm	V1 mm	V2 mm
320-360	274.5	>280	278	>281	128	177
345-420	302.5	>308	328	>333	146	205
380-500	337.5	>343	390	>393	168	240
430-600	382.5	>388	470	>473	196	284

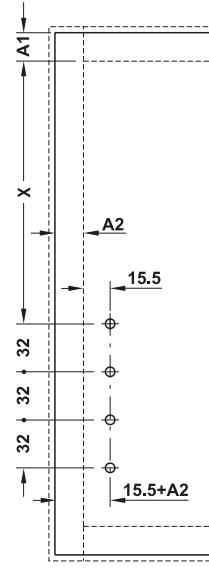
FREE UP

Carcase Drilling Positions



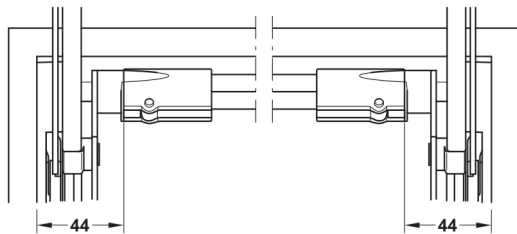
Front Panel Drilling Positions

Wooden / Wide Aluminium Framed Panel



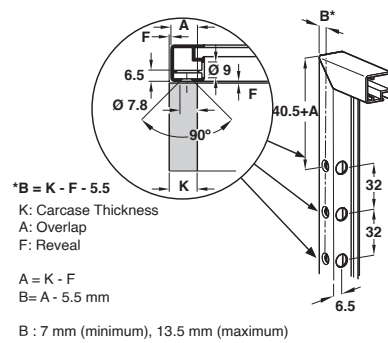
2

Cross Bar Installation

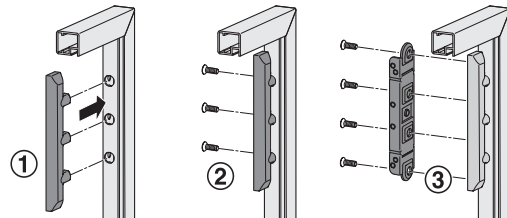


Cutting dimension = internal cabinet width – 88 mm

Narrow Aluminium Framed Panel



Installation



Free Lift Systems



SCAN ME

FREE UP - E-DRIVE

- > **Free E-Drive is Häfele's electro-mechanical movement assistance for the entire application area of the Free flap fitting family**
- > The electrical drive solution is perfectly coordinated with all Free Lift Systems
- > Standard programming and operating functions for all Free E applications
- > The installation position and the range of applications of the Free Up fittings remain unchanged
- > Component installation can be done practically without tools
- > The E-Drive unit can be retrofitted at any time to the standard mechanical fitting
- > Extremely quiet and smooth running
- > With integrated free-swing function for effortless manual operation of the flap (even in the event of a power failure)
- > Automatic safety stop function interrupts the opening or closing movement if obstacles are detected
- > Parallel connection for up to three drive units, collision avoidance with cross-corner installations and temporary disabling of the drive to clean the flap fronts can also be programmed (optional)

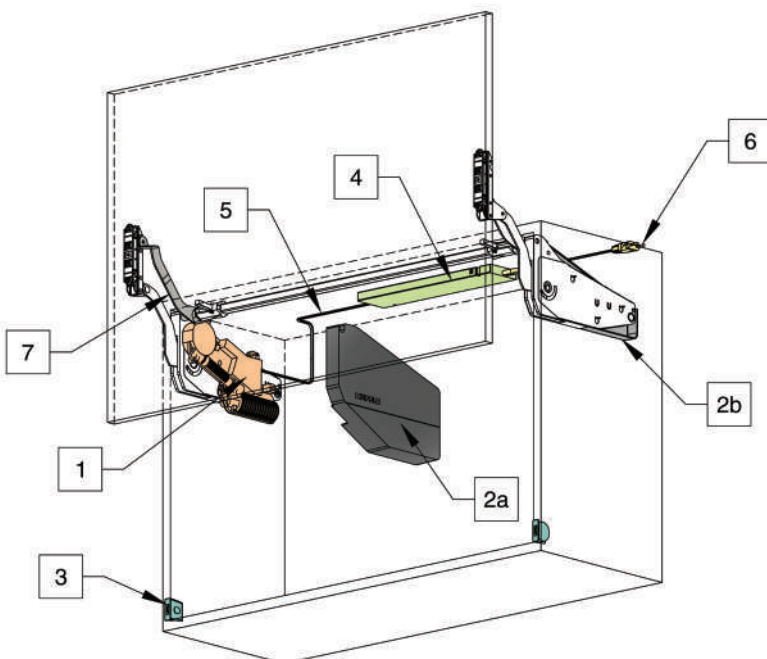


2

Free Lift Systems



- > Material: Fitting: Steel, Cover cap: Plastic, Drive housing: Zinc alloy
- > Finish/colour: Fitting: Nickel plated, Cover caps: Grey, white or anthracite
- > For cabinet height: 345–600 mm
- > For flap width: <1,200 mm (>1,200 mm = 2 sets)
- > Input voltage: 100–240 V AC/50–60 Hz/1.3 A
- > Nominal voltage: 24 V DC/3.75 A
- > Output voltage: For interior cabinet lighting: 24 V DC/1.2 A
- > Stand-by power consumption: 1 W
- > Radio frequency: 2.4 GHz
- > Protection class: II
- > Installation: E-Drive unit for screw fixing onto left Free fitting, Push button sender for recess installation in side panel (drill hole Ø 35 mm)



- 1 Free Swing E-Drive Mechanism
- 2a Cover Cap for E-Drive Mechanism
- 2b Cover Cap for Standard Mechanism
- 3 Push Button Switches
- 4 Loox 24V Driver
- 5 Connecting Cable
- 6 Loox Power Supply Cable
- 7 Free Swing E Drive Lever Arm

FREE UP - E-DRIVE

Ordering Information

Sets



E-Drive Set For Free Up*	
For Models	Article No.
Applicable for all Free Up models	372.38.164
*Consists of: 1 E-Drive Unit, 2 E-Drive Push Button Switches, 1 Loox Driver: 90 W - 24V, 1 Loox Power Supply Cable and 1 Connection Cable	



Free Up E Drive Cover Cap Set*			
Model	Anthracite	White	Grey
P	372.38.177	372.38.175	372.38.176
Q	372.38.180	372.38.178	372.38.179
R	372.38.183	372.38.181	372.38.182
*Consists of: 1 Cover Cap for E-Drive (left), 1 Cover Cap for Standard Fitting (right) and 1 E-Drive Lever Arm			

Unit: 1 Set

Individual Components



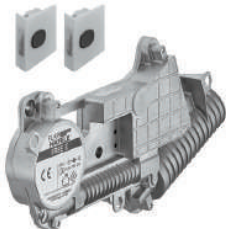
E-Drive Free Up Cover Cap Set*		
Anthracite	White	Grey
372.37.090	372.33.085	372.33.080
*Consists of: 1 Cover Cap for E-drive (left) and 1 Cover Cap for Standard Fitting (right)		

Unit: 1 Set



E-Drive Free Up Lever Arm		
Model	For cabinet height mm	Article No.
P	345–420	372.33.091
Q	380–500	372.33.092
R	430–600	372.33.093

Unit: 1 Piece



Free Up E-Drive Mechanism	
For Models	Article No.
A - G	372.37.099
*Consists of: Free Up E-Drive Mechanism and 2 E-Drive Push Button Switches	

Unit: 1 Set



E-DRIVE Push Button Switches	
Finish	Article No.
Grey	372.91.097

Unit: 1 Pair

- > Radio frequency: 2.4 GHz
- > Replaceable CR 2032 button cell lithium battery included



LOOX 24 V Driver	
Wattage	Article No.
90 W	833.77.949

Unit: 1 Piece

- > Only 1 E-Drive unit can be connected to one driver
- > Colour: Black
- > With overload protection
- > Degree of Protection: IP 20



LOOX Power Supply Cable		
Type of plug	Length	Article No.
EU	2000 mm	833.89.002

Unit: 1 Piece

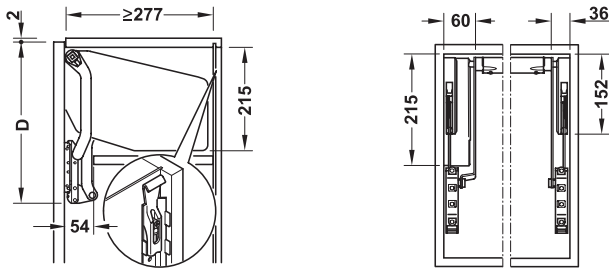


Connecting Cable	
Length	Article No.
1400 mm	850.00.022

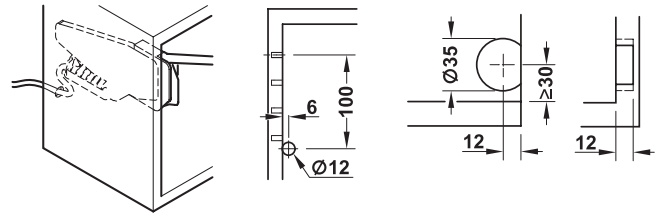
Unit: 1 Piece

FREE UP - E-DRIVE

Planning and Space Requirement



Cable Guide and Push Button Switch Installation



2

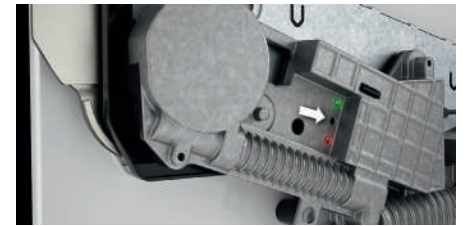
Installation and Programming



> The E-Drive drive unit sits on the left-hand fitting. The lead is simply inserted into the drive unit.



> 24 V interior cabinet lighting from the Loox product range can also be operated using the drive unit.
> The light switches on when the flap is opened.



> The push button sender assigning and the programming of other functions take place via a switching button directly on the drive unit. All programming processes are accompanied and acknowledged by visual and acoustic system feedback.

Operation



> Opening: The sensor switches, which are usually recessed in the side panels, react to gentle pressure on the flap front.
> They emit a radio signal and the flap moves quietly and automatically to the open position.



> Closing: Pressing the button on the inner surface of the sensor switch sends a radio signal to the drive, which then automatically closes the flap.
> The movement to the closed position takes place quietly and gently.



> The free-swing function integrated in all E-Drive drive units makes effortless manual operation of the flap applications possible.
> The multi-position stop function that is typical of the Free flap fittings ensures that the flap locks securely in any position.



SCAN ME











COMPACT

STRONG

EFFICIENT

ELEGANCE FOR ANY FLAP.

FREE SPACE
ENGINEERED BY HÄFELE.

The fittings of the Free family give flaps new freedom in movement. This opens up more opportunities in the visual and technical design of furniture and has tangible benefits compared to hinged doors. But above all, it gives the furniture and the room undreamt elegance and lightness. With the new Free Space, Häfele offers an innovative stay flap fitting which, with its strong features and universal aesthetics, can be used in furniture across interior spaces. It immediately provides added value and more efficiency when working.

Almost 100 years of experience with furniture fittings, engineering expertise, and a close connection to the market and the people who work with furniture fittings on a daily basis led to the development of Free Space. Inspired by the requirements of the market of tomorrow Free space fulfils all demands for creative freedom and choice of material, design, ease of installation and convenient operation on a whole new level.



LESS INSTALLATION DEPTH. MORE STORAGE SPACE.

Free space is characterised by an extremely compact size that goes hand in hand with a fine, understated, yet distinctive design.

This “less” creates “more” room and storage space in furniture, eliminates the need for large cover caps, and also opens up new freedom for modern furniture design such as convenient flaps for shallow cabinet depths.



Size of conventional
flap fittings

COMPACT

STRONG

EFFICIENT

FREE SPACE

is available in 3 attractive colours:
white, light grey and anthracite.



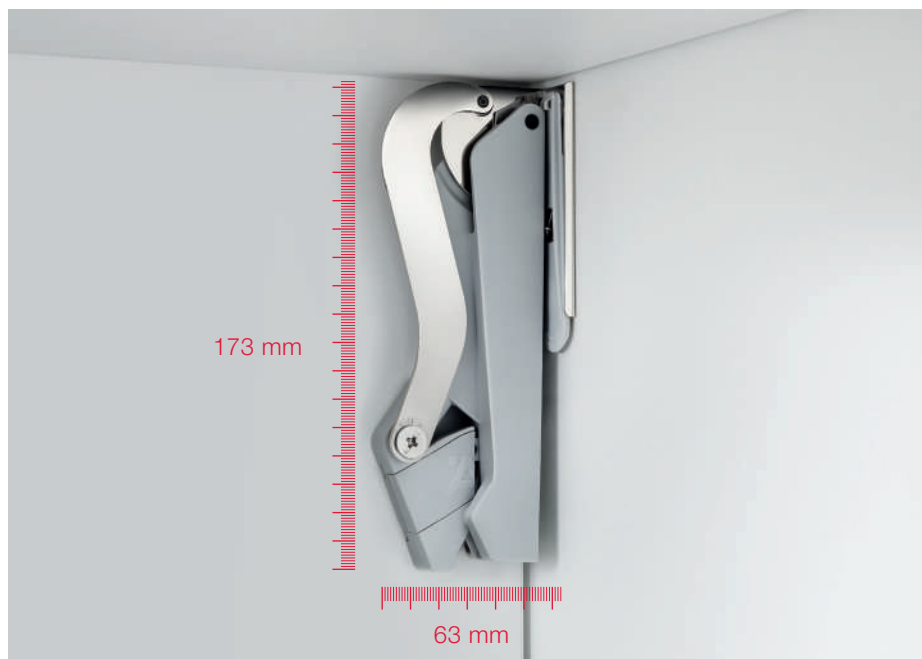
> white



> light grey



> anthracite



173 mm

63 mm

LESS MODELS. MORE APPLICATIONS.

Load bearing capacity up to 10.7 kg
with cabinet height of 400 mm



COMPACT

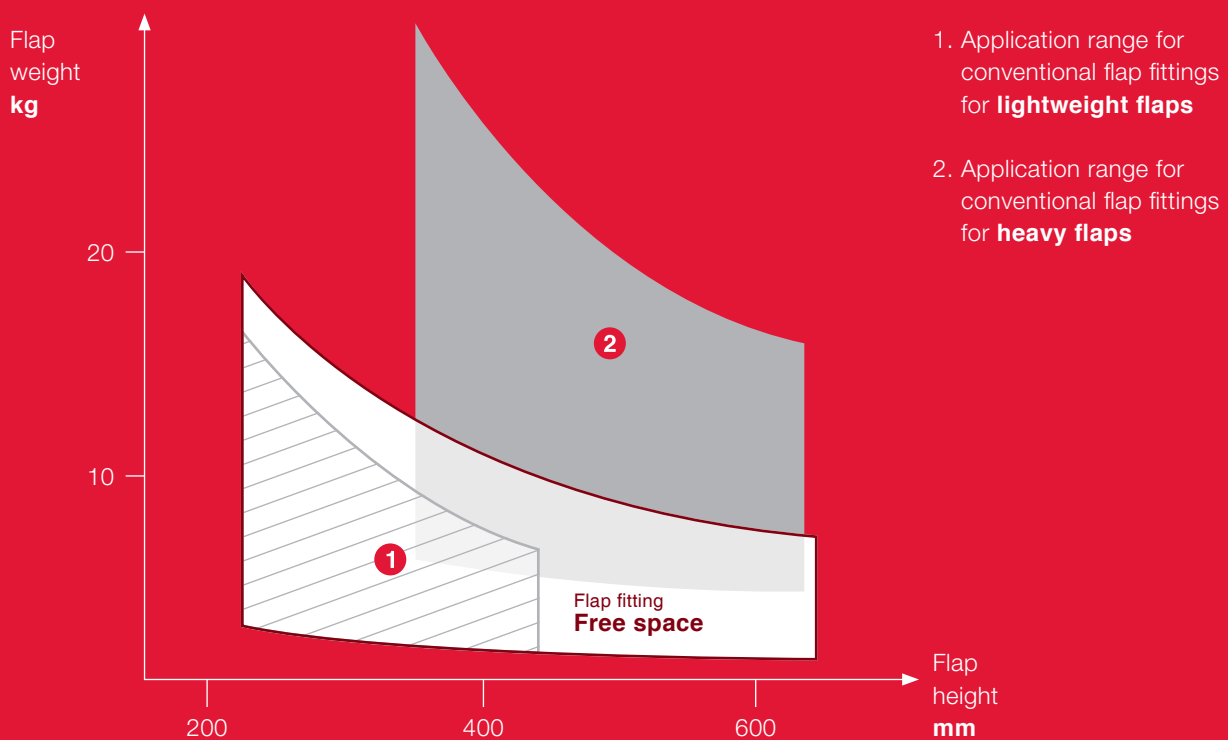
STRONG

EFFICIENT

Free space, across its different model variants, is characterised by unique performance capabilities, covering up to 80 % of all common stay flap applications. This therefore allows using the same product series for a much wider range of applications than previous hingeless stay flap fittings.

Free space can be used for flaps with or without furniture handle:

- Model series **Free space 1.11** for flaps with handles
- Model series **Free space 1.8 push** for flaps without handle with Push-to-Open function; the associated push catches are colour matched to the Free space fittings



LESS PARTS. MORE PRODUCTIVITY.



As the “smartest combination of less and more”, Free space on the one hand enables a very high degree of standardisation in production and, on the other hand, noticeably conserves resources in transport and logistics.

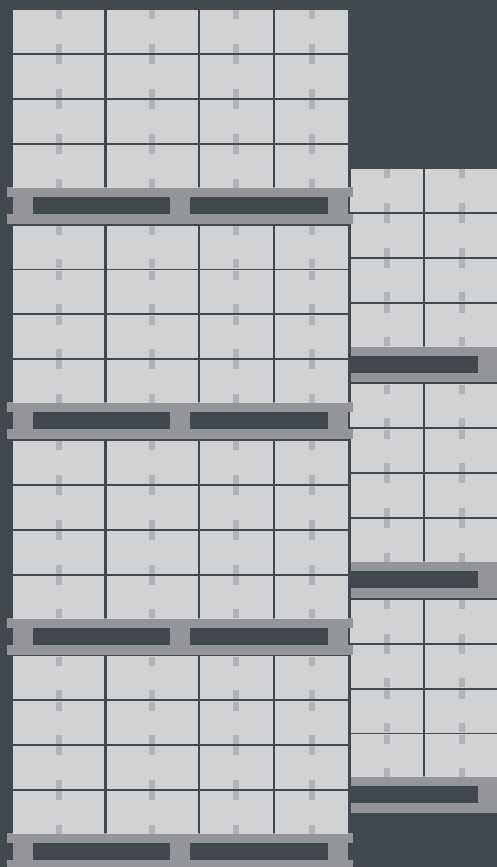
COMPACT

STRONG

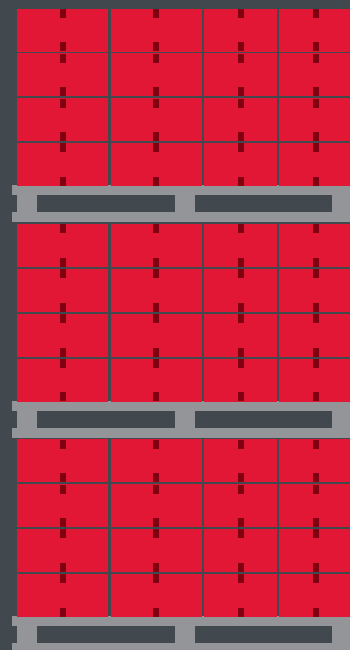
EFFICIENT

LESS STORAGE AREA. MORE SPACE.

Fewer individual parts ...
that means: Clear order lists
and simplified stocking.



> Conventional flap fitting



> Free space

FREE SPACE



2

Extremely Powerful

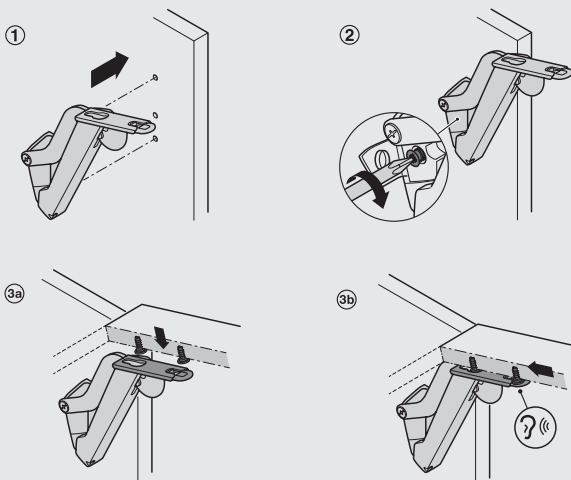
Less models for more applications



> Load bearing capacity up to 10.7 kg with cabinet height 400 mm

Extremely Fast

Fewer manual operations for easier installation



- ① Fit the lift mechanism in place onto the pre-drilled side panel with the help of the built-in positioning pins
- ② Tighten the pre-mounted Euro screw
- ③ Fit the front panel to the lever arms (3a) and slide on until it engages (3b)

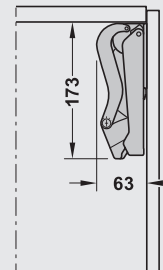
- > Hinge-less stay lift system for more free room in all respects
- > Extremely powerful: A product series that caters to majority of the most common flap sizes and weights
- > Extremely compact: Minimal appearance and more storage space in the furniture
- > Extremely gentle running characteristics for a pleasant operating feeling
- > Extremely fast and time-saving processing
- > Extremely adaptable: Three standard colours
- > For flaps with handle and flaps without handle with push opening

Technical Specifications

- > Area of application: For standard front panel applications with front height up to 650 mm
- > Material: Fitting: Steel, Housing: Plastic
- > Finish/colour: Fitting: Nickel plated, Housing: Grey, white or anthracite
- > Opening angle: 90° or 107°
- > Adjustment facility: Height, side, tilting angle, holding power
- > Installation: Fitting: for screw fixing on pre-drilled side panel with pre-mounted Euro screw and built-in positioning pins, Front Panel: Tool-free assembly (clip system) onto pre-mounted fixing screws

Extremely Compact

Less installation depth for more storage space



- > Required internal installation depth of only 63 mm
- > Required internal installation height of only 173 mm

Extremely Easy

More clarity for fewer questions during installation



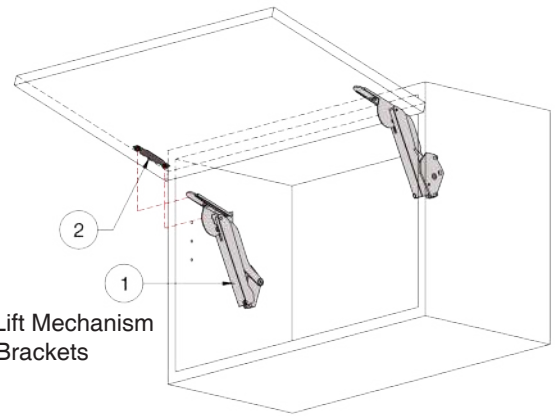
Extremely Adaptable

More design freedom with less effort



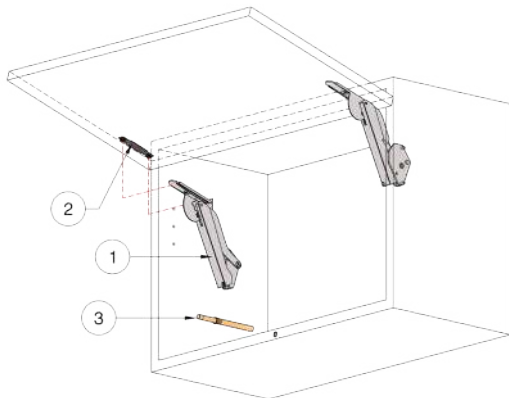
FREE SPACE

Product Specification



Free space 1.1

- 1 Free Space Lift Mechanism
- 2 Front Fixing Brackets



Free space 1.8 Push to Open

- 1 Free Space Lift Mechanism
- 2 Front Fixing Brackets
- 3 Push to Open Trigger

2

Free Lift Systems

Mechanism Selection Table

Cabinet Height (mm)	Free Space				
	B (1.11 & 1.8)	C(1.11 & 1.8)	D(1.11 & 1.8)	E(1.11 & 1.8)	F(1.11)
	Flap Weight in Kg				
225	2.3-4.3	3.8-7.1	6.4-9.3	9.2-13.4	13.4-19.1
250	1.9-3.9	3.4-6.4	5.8-9.1	8.3-12.6	12.1-17.2
275	1.9-3.5	3.1-5.8	5.3-8.2	7.5-12.0	11.0-15.6
300	1.7-3.2	2.8-5.3	4.8-7.5	6.9-11.0	10.1-14.3
325	1.6-3.0	2.6-4.9	4.4-7.0	6.4-10.2	9.3-13.2
350	1.5-2.8	2.4-4.6	4.1-6.5	5.9-9.5	8.6-12.3
375	1.3-2.6	2.2-4.3	3.8-6.0	5.5-8.8	8.1-11.4
400	1.2-2.4	2.1-4.0	3.6-5.6	5.2-8.3	7.6-10.7
425	1.1-2.3	2.0-3.8	3.4-5.3	4.9-7.8	7.1-10.1
450	1.0-2.1	1.9-3.5	3.2-5.0	4.6-7.3	6.7-9.5
475	1.0-2.0	1.8-3.4	3.0-4.7	4.3-7.0	6.4-9.0
500	0.9-1.9	1.7-3.2	2.9-4.5	4.1-6.6	6.0-8.6
525	0.9-1.8	1.6-3.0	2.7-4.3	3.9-6.3	5.7-8.2
550	0.8-1.7	1.5-2.9	2.6-4.1	3.7-6.0	5.5-7.8
575	0.8-1.7	1.4-2.8	2.5-3.9	3.6-5.7	5.2-7.4
600	0.8-1.6	1.4-2.7	2.4-3.7	3.4-5.5	5.0-7.1
625	0.7-1.5	1.3-2.5	2.3-3.6	3.3-5.3	4.8-6.8
650	0.7-1.5	1.3-2.4	2.2-3.5	3.2-5.1	4.6-6.6

FREE SPACE

Ordering information

Standard Configuration Sets & Components



2

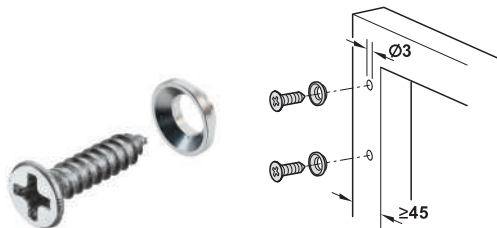
Free space 1.11

Model	Anthracite	Grey	White
B	372.27.920	372.27.925	372.27.930
C	372.27.921	372.27.926	372.27.931
D	372.27.922	372.27.927	372.27.932
E	372.27.923	372.27.928	372.27.933
F	372.27.924	372.27.929	372.27.934

Consists of: Free space 1.11 Lift Mechanism - Left and Right and 2 Front Fixing Brackets for Wooden Front Panels or Front Panels with Wide Aluminium Frame (Min. Frame Width: 45 mm).

Individual Components

Fixing screws for flaps with aluminium frame



> For wide aluminium shutters, where width of frame ≥ 45 mm

Supplied with

4 screws and 4 collar rings

Material	Finish	Article No.
Steel	Nickel plated	372.27.600

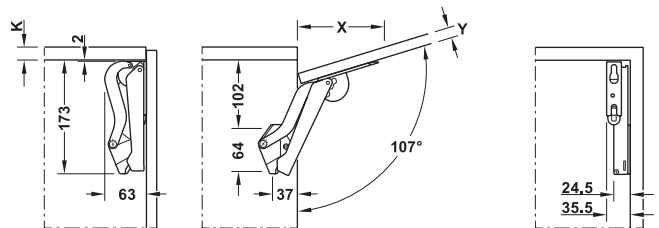
Unit: 1 Set

Free space 1.8 Push to Open

Model	Anthracite	Grey	White
B PTO	372.27.935	372.27.939	372.27.943
C PTO	372.27.936	372.27.940	372.27.944
D PTO	372.27.937	372.27.941	372.27.945
E PTO	372.27.938	372.27.942	372.27.946

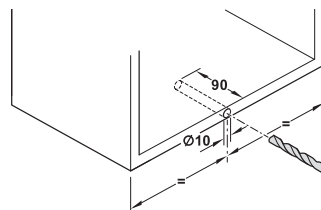
Consists of: Free space 1.8 Push-to-Open Lift Mechanism - Left and Right, 2 Front Fixing Brackets for Wooden Front Panels or Front Panels with Wide Aluminium Frame (Min. Frame Width: 45 mm) and Push-to-Open Trigger.

Planning and Space Requirement



Front panel thickness Y mm	16	18	19	22	24	26	28
Distance X mm (with cabinet top panel thickness 16 mm)	117	110	107	96	90	83	76

Push-to-Open Trigger installation



Hafele Free space
Overview



SCAN ME

Free space 1.11



SCAN ME

Free space 1.8
Push-to-Open



SCAN ME



INTERNAL QUALITY CERTIFICATE.



We herewith confirm that the following furniture resp. flap fitting:



Type: **Häfele Free space 1.11**

is tested internally on a regular basis at our production facilities according to DIN EN 15828 furniture standard for:

- > Static and dynamic overload: in line with level 3 specifications
- > Function incl. opening and closing forces: in line with level 3 specifications
- > Durability: min. 80.000 opening and closing cycles (corresponding to double the norm standard)
- > Sagging resistance: < 0,5% of cabinet width
- > Corrosion resistance: three cycles AHT in accordance to EN ISO 6270-2

The continuous compliance of our products with the relevant norm specifications ensures perfect function and lasting comfort over their lifetime.

HÄFELE

INTERNAL QUALITY CERTIFICATE.



We herewith confirm that the following furniture resp. flap fitting:



Type: **Häfele Free space 1.8 push**

is tested internally on a regular basis at our production facilities according to DIN EN 15828 furniture standard for:

- > Static and dynamic overload: in line with level 3 specifications
- > Function incl. opening and closing forces: in line with level 3 specifications
- > Durability: min. 80.000 opening and closing cycles (corresponding to double the norm standard)
- > Sagging resistance: < 0,5% of cabinet width
- > Corrosion resistance: three cycles AHT in accordance to EN ISO 6270-2

The continuous compliance of our products with the relevant norm specifications ensures perfect function and lasting comfort over their lifetime.

HINGES



3

Hinges

Designed with perfection and conceived to perform, the new Metalla 510 Hinge Range by Hafele adds efficient functionality to your kitchen cabinets. The standard application hinges, from this range, for shutters made from wood or with wide aluminium frame come with an opening angle of 105° and constitute full-overlay, half-overlay and inset applications respectively. For shutters made with narrow aluminium profile, the range houses a special aluminium profile hinge with the same opening angle. Metalla 510 also includes a 155° wide-angle application hinge for cabinets with internal drawers or shelves.

All hinges from within this range come equipped with an integrated soft-close mechanism in the hinge cup which can be activated via a damper shifter, at an opening angle of either 30° or 10°, for a smooth and noiseless closing. Having cycle tested for 200,000 times, these hinges meet and exceed the LGA certification requirements ensuring high operational durability. Made of high-quality steel with an attractive nickel plated finish, the Metalla 510 hinges are salt spray tested for 48 hours guaranteeing a high degree of corrosion resistance (EN 15570 Level 3).

HINGES

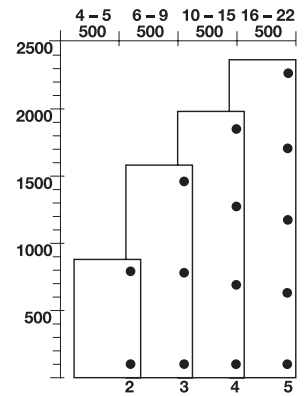
INFORMATION

Number of concealed hinges per door

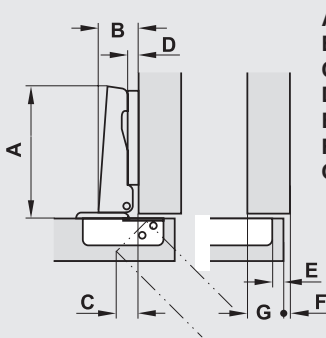
The values in the table are sample measurements.
 Trial mounting is recommended.

- The number of concealed hinges per door depends on:
- > Door width and height
 - > Door weight
 - > Door material

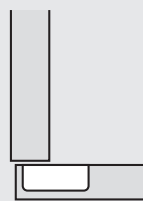
Example: According to the diagram three concealed hinges have to be fitted with a door height of 1,600 mm and a door weight of 6–9 kg.



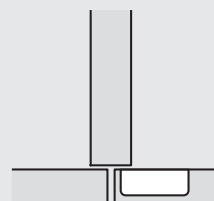
Mounting



- A Hinge arm length
- B Hinge arm height
- C Door offset
- D Distance (mounting plate)
- E Distance to cup
- F Gap
- G Door overlay



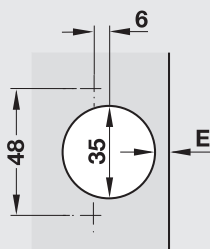
Full overlay mounting
 Concealed hinge with straight hinge arm



Half overlay mounting
 Concealed hinge with cranked hinge arm

Inset mounting
 Concealed hinge with high cranked hinge arm

Drilling pattern for cup fixing



Drilling pattern 48 / 6 for Metalla 510 105° Standard Hinge and 155° Wide Angle Hinge

HINGES - FOR WOODEN DOORS

Metalla 510 105° Standard Application Hinges



- > With integrated soft closing mechanism in hinge cup
- > The soft closing mechanism can be activated at an opening angle of 30° or 10° via damper shifter



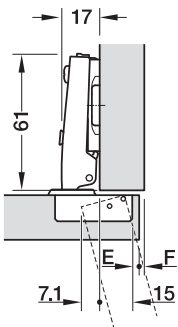
3

Door thickness	Distance to cup E mm			
	3.0	4.0	5.0	6.0
15	1.0	0.9	0.9	0.9
16	1.0	1.0	1.0	1.0
17	1.2	1.2	1.1	1.1
18	1.4	1.3	1.2	1.2
19	1.6	1.5	1.5	1.4
20	1.9	1.8	1.8	1.7
21	2.3	2.2	2.1	2.0
22	2.8	2.6	2.5	2.4
23	4.0	3.2	3.0	2.9
24	5.3	4.3	3.6	3.4
Minimum gap F				
Rounding off the edge of door reduces the given values.				

- > Material: Steel: cup and hinge arm
- > Finish: Nickel plated
- > Cup fixing: For screw fixing
- > Installation: Door to cabinet for quick fixing with SM quick fixing system
- > Drilling depth: Hinge cup 12 mm
- > Adjustment facility: Side adjustment -1.5 to +3 mm, Height adjustment -2 to +2 mm, Depth adjustment with mounting plate +2.8 mm
- > Opening Angle: 105°
- > Door thickness: 15-24 mm

Hinges

Full overlay mounting



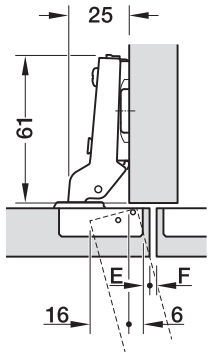
Door overlay mm									
12	13	14	15	16	17	18	19		
				3	4	5	6	2	
Distance to cup mm				E	Mounting plate distance mm				

Standard Set	Article. No.
Metalla 510 105° Full Overlay Hinge, Drilling Pattern 48/6	311.46.591
Individual Components	
105° Full Overlay Hinge, for Screw Fixing	329.14.300
Cruciform Mounting Plate, 2 mm	329.87.000

HINGES - FOR WOODEN DOORS

Metalla 510 105° Standard Application Hinges

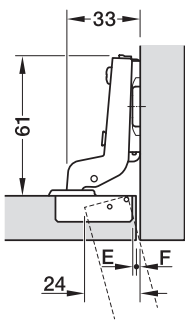
Half overlay mounting/twin mounting



Door overlay mm									
3	4	5	6	7	8	9	10		
				3	4	5	6	2	
Distance to cup E mm				Mounting plate distance mm					

Standard Set	Article. No.
Metalla 510 105° Half Overlay Hinge, Drilling Pattern 48/6	311.46.590
Individual Components	
105° Half Overlay Hinge, for Screw Fixing	329.14.301
Cruciform Mounting Plate, 2 mm	329.87.000

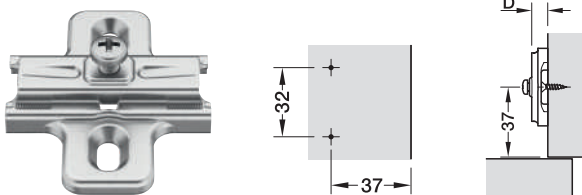
Inset mounting



Door overlay mm									
		-5	-4	-3	-2	-1	0		
				3	4	5	6	4	
Distance to cup E mm				Mounting plate distance mm					

Standard Set	Article. No.
Metalla 510 105° Inset Hinge, Drilling Pattern 48/6	311.46.592
Individual Components	
105° Inset Hinge, for Screw Fixing	329.14.302
Cruciform Mounting Plate, 4 mm	329.87.001

Metalla 510 Cruciform Mounting Plates -With Quick Fixing System

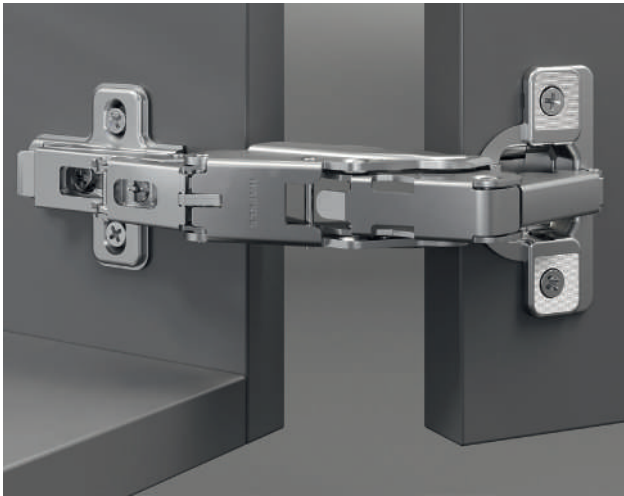


- > Material: Steel
- > Finish: Nickel plated
- > Adjustment facility: Height adjustment ± 2 mm via slot
- > Edge Distance: 37 mm

Distance D mm	Article. No.
2	329.87.000
4	329.87.001

HINGES - FOR WOODEN DOORS

Metalla 510 155° Wide Angle Hinge for Cabinets with Internal Drawers or Shelves



- > Required drilling depth for hinge cup only 8 mm
- > 0-door offset for use with internal pull outs or extending trays
- > With integrated soft closing mechanism in hinge cup



Door thickness	Distance to cup E mm						
	3.0	4.0	5.0	6.0	7.0	8.0	9.0
16	0.0	0.0	0.0	0.0	0.0	0.0	0.0
18	0.0	0.0	0.0	0.0	0.0	0.0	0.0
20	0.0	0.0	0.0	0.0	0.0	0.0	0.0
22	0.0	0.0	0.0	0.0	0.0	0.0	0.0
24	0.0	0.0	0.0	0.0	0.0	0.0	0.15
25	0.10	0.15	0.20	0.25	0.30	0.35	0.55
26	0.40	0.45	0.50	0.60	0.70	0.85	1.20
27	0.75	0.85	0.95	1.10	1.30	120° 1.70	100° 2.15
28	1.20	1.35	120° 1.70	120° 1.95	100° 2.30	100° 2.80	92° 3.90
Minimum gap F							
Rounding off the edge of door reduces the given values.							

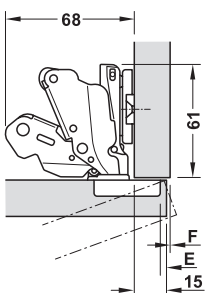
- > Material: Zinc alloy: cup, steel: hinge arm
- > Finish: Nickel plated
- > Cup fixing: For screw fixing
- > Installation: Door to cabinet for quick fixing with SM quick fixing system
- > Drilling depth: Hinge cup with soft closing mechanism: 13.5 mm
- > Adjustment facility: Side adjustment -1.5 to +4.5 mm, Height adjustment -2 to +2 mm, Depth adjustment with mounting plate +2.8 mm
- > Opening Angle: 155°
- > Door thickness: 16-28 mm

3

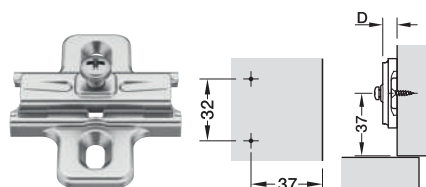
Hinges

Full overlay mounting

Door overlay mm														
9	10	11	12	13	14	15	16	17	18	19	20	21	22	23
						3	4	5	6	7	8			2
Distance to cup E mm						Mounting plate distance mm								



Metalla 510 Cruciform Mounting Plate -With Quick Fixing System



Standard Set	Article. No.
Metalla 510 155° Full Overlay Wide Angle Hinge, Drilling Pattern 48/6	311.46.594
Individual Components	
155° Full Overlay Hinge, for Screw Fixing	329.14.207
Cruciform Mounting Plate, 2 mm	329.87.000

- > Material: Steel
- > Finish: Nickel plated
- > Adjustment facility: Height adjustment ± 2 mm via slot
- > Edge Distance: 37 mm

Distance D mm	Article. No.
2	329.87.000

HINGES - FOR NARROW ALUMINIUM PROFILED DOORS

Metalla 510 105° Narrow Aluminium Profile Hinge (For Frame Width: 19 mm)



> With two silicone oil dampers integrated in hinge cup



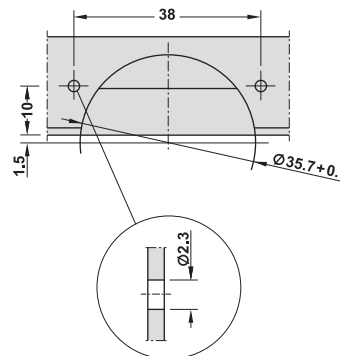
- > Material: Zinc alloy: cup, steel: hinge arm
- > Finish: Nickel plated
- > Cup fixing: For screw fixing
- > Installation: Door to cabinet for quick fixing with SM quick fixing system
- > Drilling depth: Hinge cup 12.5 mm
- > Adjustment facility: Side adjustment from -1.5 to +4.5 mm (via Hinge),
Height Adjustment : 2 mm (via Mounting Plate),
Depth Adjustment : Upto 2.8 mm (via Mounting Plate)
- > Opening Angle: 105°
- > Door thickness: 20 mm

➔ Full overlay mounting



Standard Set	Article. No.
Metalla 510 105° Narrow Aluminium Profile Hinge (For Frame Width: 19 mm)	311.46.593
Individual Components	
105° Full Overlay Narrow Aluminium Profile Hinge, for Screw Fixing	329.14.850
Cruciform Mounting Plate, 2 mm	329.87.000
Cover Cap	329.32.620

Construction dimensions



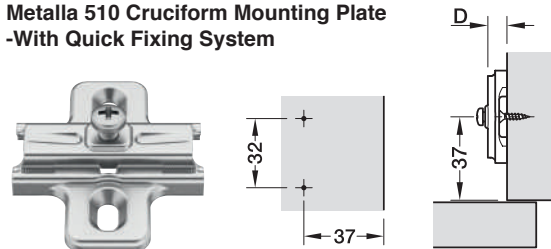
Cover Caps for Metalla 510 SM



- > Material: Steel
- > Finish: Nickel plated
- > Suitable for: 105° concealed hinges

Distance D mm	Article. No.
Cover cap for hinge cup	329.32.630
Cover cap for Hinge Arm	329.32.640

Metalla 510 Cruciform Mounting Plate -With Quick Fixing System



- > Material: Steel
- > Finish: Nickel plated
- > Adjustment facility: Height adjustment ±2 mm via slot
- > Edge Distance: 37 mm

Distance D mm	Article. No.
2	329.87.000

HINGES - FOR WOODEN DOORS

Metalla 510 110° Standard Application Hinges



- > With or without integrated soft closing mechanism in hinge cup
- > The soft closing mechanism can be activated at an opening angle of 30° or 10° via damper shifter



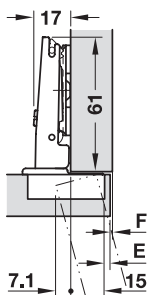
3

Hinges

Door thickness	Distance to cup E mm			
	3.0	4.0	5.0	6.0
16	0.7	0.6	0.6	0.6
17	0.9	0.8	0.8	0.8
18	1.1	1.1	1.0	1.0
19	1.3	1.3	1.3	1.2
20	1.6	1.6	1.5	1.5
21	1.9	1.8	1.8	1.8
22	2.2	2.2	2.1	2.1
23	2.6	2.5	2.4	2.4
24	3.2	2.9	2.8	2.7
25	4.4	3.4	3.2	3.1
26	5.7	4.7	3.7	3.6
Minimum gap F				
Rounding off the edge of door reduces the given values.				

- > Material: Steel cup and Zinc Alloy hinge arm
- > Finish: Nickel plated
- > Cup fixing: For screw fixing
- > Installation: Door to cabinet for quick fixing with SM quick fixing system
- > Drilling depth: Hinge cup with soft closing mechanism: 13.5 mm
- > Adjustment facility: Side adjustment -1.5 to +4.5 mm, height adjustment -2 to +2 mm, depth adjustment with mounting plate +2.8 mm
- > Opening Angle: 110°
- > Door thickness: 16-26 mm

Full overlay mounting

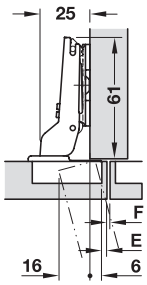


Door overlay mm													
9	10	11	12	13	14	15	16	17	18	19	20	21	
									3	4	5	6	0
Distance to cup E mm							Mounting plate distance mm						

Standard Set	Article. No.
Metalla 510 110° Full Overlay Hinge, Drilling Pattern 48/6	329.13.451
Individual Components	
110° Full Overlay Hinge, for Screw Fixing	329.15.701
Straight Mounting Plate, 0 mm	329.67.140

HINGES - FOR WOODEN DOORS

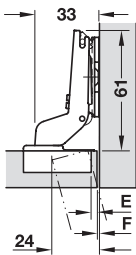
Half overlay mounting/twin mounting



Door overlay mm													
0	1	2	3	4	5	6	7	8	9	10	11	12	
									3	4	5	6	0
Distance to cup E mm						Mounting plate distance mm							

Standard Set	Article. No.
Metalla 510 110° Half Overlay Hinge, Drilling Pattern 48/6	329.13.452
Individual Components	
110° Half Overlay Hinge, for Screw Fixing	329.15.703
Straight Mounting Plate, 0 mm	329.67.140

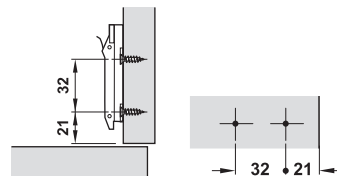
Inset mounting



Door overlay mm													
				-8	-7	-6	-5	-4	-3	-2	-1	0	
										3	4	5	3
Distance to cup E mm						Mounting plate distance mm							

Standard Set	Article. No.
Metalla 510 110° Inset Hinge, Drilling Pattern 48/6	329.13.453
Individual Components	
110° Inset Hinge, for Screw Fixing	329.15.705
Straight Mounting Plate, 3 mm	329.67.143

Metalla 510 Straight Mounting Plates -With Quick Fixing System



- > Material: Steel
- > Finish: Nickel plated
- > Adjustment facility: Height adjustment ± 2 mm via slot, depth adjustment with mounting plate -0.5 to +2.8 mm
- > Edge Distance: 37 mm

Distance D mm	Article. No.
0	329.67.140
3	329.67.143

HINGES - FOR WOODEN DOORS

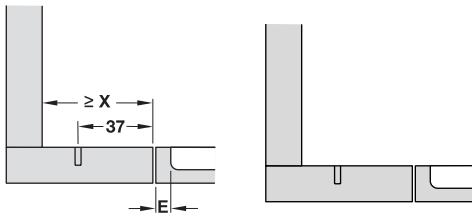
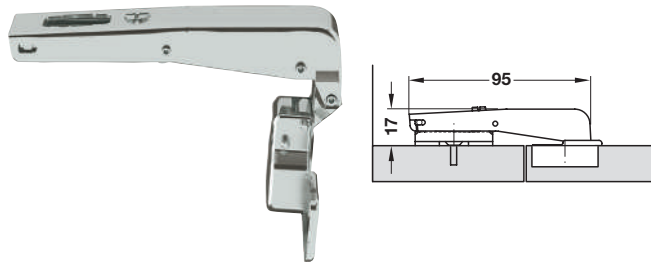
Metalla 510 110° Blind Corner Hinge Sets



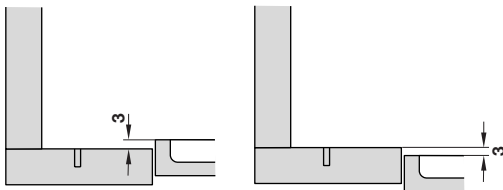
- > With or without integrated soft closing mechanism in hinge cup
- > The soft closing mechanism can be activated at an opening angle of 30° or 10° via damper shifter



- > Material: Steel cup and Zinc Alloy hinge arm
- > Finish: Nickel plated
- > Cup fixing: For screw fixing
- > Installation: Door to cabinet for quick fixing with SM quick fixing system
- > Drilling depth: Hinge cup 13.5 mm
- > Adjustment facility: Side adjustment upto +4.5 mm, height adjustment -2 to +2 mm, depth adjustment with mounting plate +2.8 mm
- > Opening Angle: 110° Blind Corners
- > Door thickness: 16-26 mm



X max:
 For Duomatic A = 61 mm
 For Duomatic SM = 70 mm
 For Duomatic SM with rear eccentric = 74 mm
 Distance to cup E = 3 to 6 mm
 Y = 37 mm with joint F = 1 mm and cup distance E = 3 mm



Standard Set	Article. No.
Metalla 510 110° Blind Corner Hinge with 3 mm Straight Mounting plate, Drilling Pattern 48/6	329.13.450
Metalla 510 110° Blind Corner Hinge with 0mm Straight Mounting plate, Drilling Pattern 48/6	329.19.036
Individual Components	
110° Standard Blind Corner Hinge, for Screw Fixing	329.11.705
Straight Mounting Plate, 3 mm	329.67.143
Straight Mounting Plate, 0 mm	329.67.140

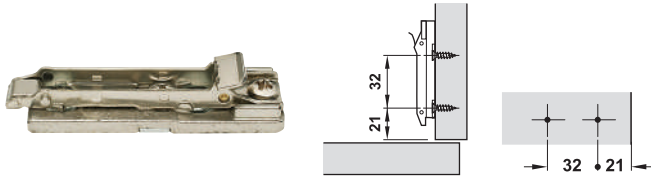
Standard Set	Article. No.
Metalla 510 110° Blind Corner Hinge with 3mm Cruciform Mounting plate, Drilling Pattern 48/6	329.19.037
Metalla 510 110° Blind Corner Hinge with 0mm Cruciform Mounting plate, Drilling Pattern 48/6	329.19.038
Individual Components	
110° Standard Blind Corner Hinge, for Screw Fixing	329.15.703
Cruciform Mounting Plate, 3 mm	329.71.503
Cruciform Mounting Plate, 0 mm	329.71.500

3

Hinges

HINGES - FOR WOODEN DOORS

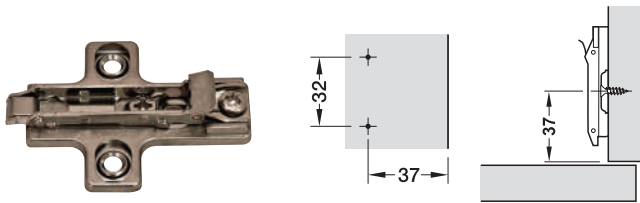
Metalla 510 Straight Mounting Plates -With Quick Fixing System



- > Material: Steel
- > Finish: Nickel plated
- > Adjustment facility: Height adjustment ± 2 mm via slot, depth adjustment with mounting plate -0.5 to $+2.8$ mm
- > Edge Distance: 37 mm

Distance D mm	Article. No.
3	329.67.143
0	329.67.140

Metalla 510 Cruciform Mounting Plate -With Quick Fixing System



- > Material: Steel
- > Finish: Nickel plated
- > Adjustment facility: Height adjustment ± 2 mm via slot, depth adjustment with mounting plate -0.5 to $+2.8$ mm
- > Edge Distance: 37 mm

Distance D mm	Article. No.
3	329.71.503
0	329.71.500



HINGES - FOR WOODEN DOORS

Metalla 510 45° Hinge Sets for corner application



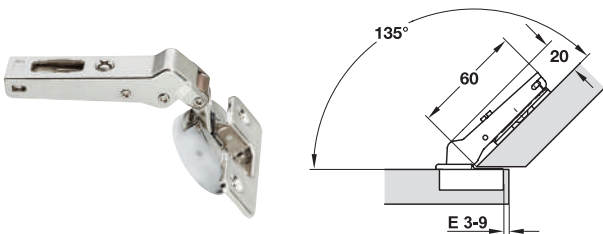
- > With or without integrated soft closing mechanism in hinge cup
- > The soft closing mechanism can be activated at an opening angle of 30° or 10° via damper shifter



- > Material: Steel cup and Zinc Alloy hinge arm
- > Finish: Nickel plated
- > Cup fixing: For screw fixing
- > Installation: Door to cabinet for quick fixing with SM quick fixing system
- > Drilling depth: Hinge cup 13.5 mm
- > Adjustment facility: Side adjustment upto +4.5 mm, height adjustment -2 to +2 mm, depth adjustment with mounting plate +2.8 mm
- > Opening Angle: 45° Corner
- > Door thickness: 16-26 mm

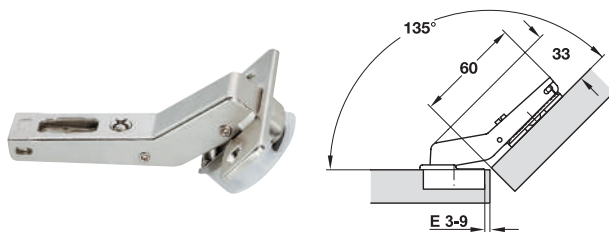
3

➔ 45° Corner application, overlay



Standard Set	Article. No.
Metalla 510 45° Corner Hinge Full Overlay with Straight Mounting plate, Drilling Pattern 48/6	329.13.454
Metalla 510 45° Corner Hinge Full Overlay with 3mm Cruciform Mounting plate, Drilling Pattern 48/6	329.19.045
Individual Components	
45° Corner Application Hinge Full Overlay, for Screw Fixing	329.25.717
Straight Mounting Plate, 3 mm	329.67.143
Cruciform Mounting Plate, 3 mm	329.71.503
Cruciform Mounting Plate, 0 mm	329.71.500

➔ 45° Corner application, half overlay

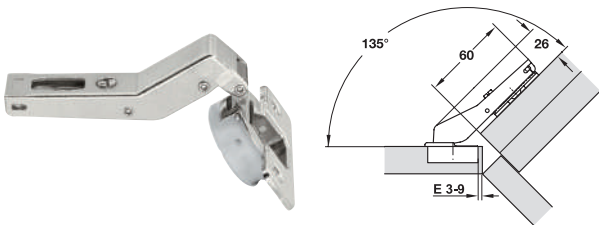


Standard Set	Article. No.
Metalla 510 45° Corner Hinge Half Overlay with 3mm Straight Mounting plate, Drilling Pattern 48/6	329.13.455
Metalla 510 45° Corner Hinge Half Overlay with 3mm Cruciform Mounting plate, Drilling Pattern 48/6	329.19.046
Metalla 510 45° Corner Hinge Half Overlay with 0mm Cruciform Mounting plate, Drilling Pattern 48/6	329.19.049
Individual Components	
45° Corner Application Hinge Half Overlay, for Screw Fixing	329.25.715
Straight Mounting Plate, 3 mm	329.67.143
Cruciform Mounting Plate, 3 mm	329.71.503
Cruciform Mounting Plate, 0 mm	329.71.500

Hinges

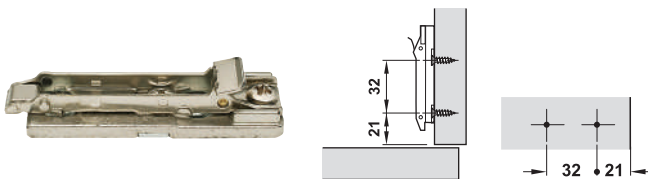
HINGES - FOR WOODEN DOORS

➔ 45° Corner application, for flush front panels



Standard Set	Article. No.
Metalla 510 45° Corner Hinge inset mounting with 3mm Straight Mounting plate, Drilling Pattern 48/6	329.13.456
Metalla 510 45° Corner Hinge inset mounting with 3mm Cruciform Mounting plate, Drilling Pattern 48/6	329.19.047
Metalla 510 45° Corner Hinge inset mounting with 0mm Cruciform Mounting plate, Drilling Pattern 48/6	329.19.050
Individual Components	
45° Corner Application Hinge Full Overlay, for Screw Fixing	329.25.719
Straight Mounting Plate, 3 mm	329.67.143
Cruciform Mounting Plate, 3 mm	329.71.503
Cruciform Mounting Plate, 0 mm	329.71.500

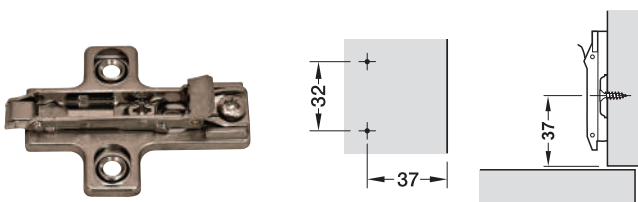
Metalla 510 Straight Mounting Plates -With Quick Fixing System



- > Material: Steel
- > Finish: Nickel plated
- > Adjustment facility: Height adjustment ± 2 mm via slot, depth adjustment with mounting plate -0.5 to +2.8 mm
- > Edge Distance: 37 mm

Distance D mm	Article. No.
3	329.67.143
0	329.67.140

Metalla 510 Cruciform Mounting Plate -With Quick Fixing System



- > Material: Steel
- > Finish: Nickel plated
- > Adjustment facility: Height adjustment ± 2 mm via slot, depth adjustment with mounting plate -0.5 to +2.8 mm
- > Edge Distance: 37 mm

Distance D mm	Article. No.
3	329.71.503
0	329.71.500

3

Hinges

STORAGE SOLUTIONS



4

Storage Solutions

Häfele presents its new premium range of efficient, ergonomic and holistic storage solutions. This cleverly designed range not only utilises the space available in your kitchen effectively but also optimises functionality so that you, our customer can get 'more life per meter square'. The range comprises of Slim Pull-outs for bottle or towel storage, a Side Pull-out to store jars, a Larder unit and Pantry unit for bulk storage of groceries and a corner unit to store your pots and pans.

Available in two attractive finishes, Chrome and Metallic Anthracite, these German-engineered Storage Solutions seamlessly bequeath elegance and balance to your kitchen interiors. Equipped with the best operating characteristics, inherent elegant motions and distinguished material and finish properties, the range truly represents the well-known Häfele quality standards.

STORAGE SOLUTIONS



ADVANTAGES OF STORAGE SOLUTIONS



EXTENSIVE RANGE

Häfele's new range of Storage Solutions gives you everything you need for efficient storage within Kitchens. The range comprises of Slim Pull-outs for bottle or towel storage, a Larder unit and Pantry unit for bulk storage of groceries, a Side Pull-out to store jars and a convenient corner unit to store your pots and pans. Together this range, of handy and ergonomic solutions, meets holistic storage requirements, efficiently.



VERSATILE DESIGN

The Storage Solutions by Häfele come in two attractive finishes – Chrome and Metallic Anthracite. Choosing any option for all the storage units gives a complete balance in finish across your kitchens. Furthermore, the metallic anthracite finish of the storage units superbly complements the anthracite finish of Häfele's MatrixBox Premium Drawer systems, providing complete uniformity in design and look for your kitchens – it's literally like a match made in heaven!



EASY ACCESS

Häfele's Corner Unit comes with a patented motion design that allows all the contents of the unit to come out allowing complete access, with a single operation. With 4 baskets, installed astutely into the unit, you get maximum opportunity to store your pots and pans and other utility items in this corner unit. The ergonomic design ensures that the baskets come out of the cabinet, giving you the convenience of accessing whatever you want.



EFFECTIVE SPACE UTILISATION

Häfele's cleverly designed Storage Solutions are meant to increase space usage in kitchens. Häfele's Larder and Pantry Unit make great use of vertical space available within the kitchen and are ideal for bulk storage of groceries or heavy-volume items. The Slim Pull-outs for bottles and kitchen towels effectively use the last 150 mm horizontal space below the counter that generally goes to waste. Our Corner unit that comes with a patented design technology effectively converts the dead space within kitchen corners into a functionally efficient storage area.



GERMAN QUALITY

The Storage Solutions by Häfele come with robust testing standards that meet the LGA certification requirements. With the best operating characteristics, inherent elegant motions and distinguished material and finish properties, these solutions truly represent the well-known Häfele standards of quality.

STORAGE SOLUTIONS - SLIM PULL-OUTS

Häfele Base Unit Pull Out for Installation Behind Fronts



- > Material: Frame and baskets: Steel, Basket base: Chipboard
- > Finish: Frame: Powder coated, anthracite, Runners: Zinc plated, Baskets: Chrome / metallic anthracite, Base: White / black
- > Type of pull out: Full extension with soft closing mechanism
- > For cabinet width: 150 mm
- > Internal cabinet width: Min. 112 mm
- > Internal cabinet depth: 515 mm
- > Dimension A: 13 mm
- > Mounting: Right mounted
- > Installation: For screw fixing to side panel and front panel
- > Adjustment: 3D adjustment via front connection

Ordering and Installation Dimensions

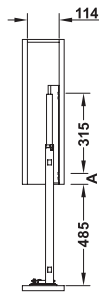
4



With Chrome Baskets



With Metallic Anthracite Baskets



Dim. A = Inner front edge to first drill hole, right mounted

Bottle Pull-Out	
Basket Colour	Article No.
Chrome	549.37.700
Metallic Anthracite	549.37.300

Unit: 1 Piece

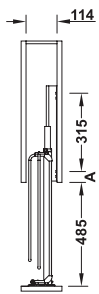
- > Internal cabinet height: 565 mm
- > Load bearing capacity: 12 kg
- > Basket Dimensions (W x D): 95 x 485 mm



With Chrome Baskets



With Metallic Anthracite Baskets



Dim. A = Inner front edge to first drill hole, right mounted

Towel Pull-Out	
Basket Colour	Article No.
Chrome	549.37.710
Metallic Anthracite	549.37.310

Unit: 1 Piece

- > Internal cabinet height: 565 mm
- > Load bearing capacity: 10 kg
- > Basket Dimensions (W x D): 95 x 485 mm



STORAGE SOLUTIONS - SIDE PULL OUT

Häfele Base Unit Pull Out

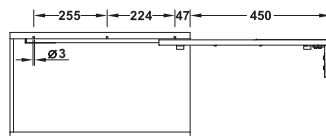


- > Material: Frame and baskets: Steel, Basket base: Chipboard
- > Finish: Frame: Powder coated, anthracite, Runners: Zinc plated, Baskets: Chrome / metallic anthracite
- > Load bearing capacity: 20 kg
- > Type of pull out: Full extension with soft closing mechanism
- > For cabinet width: 300 mm
- > Internal cabinet depth: 495 mm
- > Internal cabinet height: 650 mm
- > Mounting: Left or right
- > Installation: For screw fixing to side panel and front panel
- > Basket dimensions (W x D x H): 233 x 466 x 90 mm

Ordering and Installation Dimensions

Sets

Side Pull-Out	
Basket Colour	Article No.
Chrome	549.09.713
Metallic Anthracite	549.09.313
Consists of: 1 frame, 2 baskets and installation manual	



Individual Components



Pull-Out Frame	
Colour	Article No.
Anthracite	549.09.300

Unit: 1 Piece



With Chrome Baskets



With Metallic Anthracite Baskets

Baskets	
Colour	Article No.
Chrome	549.09.353
Metallic Anthracite	549.09.753

Unit: 2 Pieces

STORAGE SOLUTIONS - LARDER UNIT

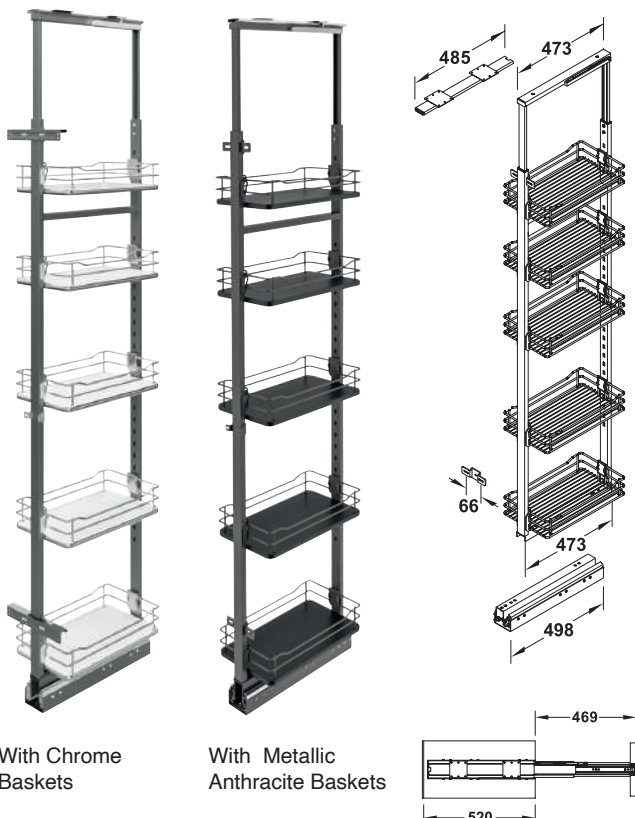
Häfele Door Front Fixing Pull Out Larder Unit with Baskets for Installation Behind Fronts



- > Material: Frame and baskets: Steel, Basket base: Chipboard
- > Finish: Frame: Powder coated, anthracite, Runners: Zinc plated, Baskets: Chrome / metallic anthracite, Base: White / black
- > Load bearing capacity: 100 kg, 20 kg for each basket
- > Type of pull out: Full extension with soft closing mechanism
- > Basket adjustment: Provision in frame to adjust basket position
- > Height: 1,900-2,200 mm
- > Internal cabinet depth: Min. 495 mm
- > For cabinet width: 300 / 400 mm
- > Side panel thickness: 16 or 19 mm
- > Installation: On cabinet top panel and base panel
- > Adjustment: 3D adjustment via front connection
- > Basket dimensions 430 x 245 x 88 mm (W x D x H):

4

Ordering and Installation Dimensions



With Chrome Baskets

With Metallic Anthracite Baskets

Larder Unit		
For Cabinet Width (mm)	Basket Colour	
	Chrome	Metallic Anthracite
300	546.80.715	546.80.315
400	546.80.125	546.80.335

Consists of: 1 pull-out frame, 1 bottom runner, 1 top runner, 1 set of front brackets, 5 baskets and installation manual

Unit: 1 Set

Note:

The technical diagram shown here is for illustration purpose only. The larder unit from our range includes baskets with a chipboard base.

STORAGE SOLUTIONS - PANTRY UNIT

Häfele Pull Out Larder Unit for Installation Behind Hinged Doors, with Door and Internal Baskets



- > Material: Pull out frame, door frame and baskets: Steel, Basket base: Chipboard
- > Finish: Pull-out and door frame: Powder coated, anthracite, Baskets: Chrome / metallic anthracite, Base: White / black
- > Load bearing capacity: 70 kg (12 kg for each internal basket and 2 kg for each door basket)
- > For cabinet width: 450 / 600 mm
- > Internal cabinet width: 414 / 564 mm
- > Internal cabinet depth: Min. 495 mm
- > Height: 1,900-2,200 mm (adjustable pull-out frame)
- > Basket adjustment: With soft closing mechanism, Provision in frame to adjust basket position
- > Mounting: Left or right
- > Installation: Pull out frame for screw fixing to cabinet base panel and top panel, door frame attached to the right or left hand side
- > Internal basket dimensions (W x D x H): 370 x 296 x 90 mm (For 450 mm cabinet width)
520 x 296 x 90 mm (For 600 mm cabinet width)
- > Door basket dimensions (W x D x H): 281 x 106 x 90 mm (For 450 mm cabinet width)
431 x 106 x 90 mm (For 600 mm cabinet width)

4

Ordering and Installation Dimensions



With Chrome Baskets

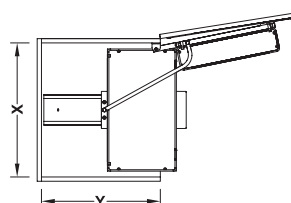


With Metallic Anthracite Baskets

Pantry Unit		
For Cabinet Width (x)	Basket Colour	
	Chrome	Metallic Anthracite
450 mm	546.81.123	546.80.345
600 mm	546.81.753	546.81.353

Consists of: 1 pull-out frame, 1 door frame, 5 door baskets, 5 internal pull out baskets and installation manual

Unit: 1 Set



X = internal cabinet width: 450 / 600 mm
Y = internal cabinet depth: Min. 495 mm

Storage Solutions

STORAGE SOLUTIONS - CORNER UNIT

Häfele Pull Out and Turn for Corner Cabinets



- > Area of application: For corner base units
- > Material: Frame, runners and baskets: Steel, Basket base: Chipboard
- > Finish: Frame: Powder coated, anthracite, Runners: Zinc plated, Baskets: Chrome / metallic anthracite, Base: White / black
- > Version: Swings out to the left or right, with guided movement, with soft closing mechanism, 2 tiers
- > Internal installation height: Min. 620 mm
- > For cabinet width: 900 mm
- > For internal cabinet width: 864mm
- > Door width: Min 495 mm
- > Load bearing capacity: 30 kg (5 kg. for each front basket and 10 kg. for each rear basket)
- > Basket dimensions (W x D x H): Front baskets : 400 x 290 x 80 m Rear baskets: 430 x 245 x 80 mm

Ordering and Installation Dimensions

4



With Chrome Baskets

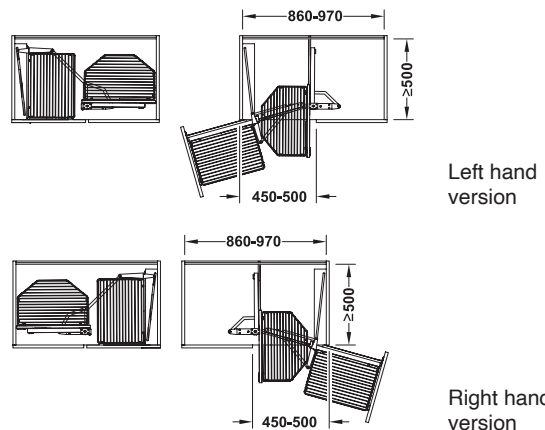


With Anthracite Baskets

Corner Unit		
Version	Basket Colour	
	Chrome	Metallic Anthracite
Left	542.00.704	542.00.304
Right	542.00.703	542.00.303

Consists of: 1 pull out and turn frame for corner cabinets, 4 baskets and installation manual

Unit: 1 Set



Note:

The technical diagrams shown here are for illustration purpose only. The corner unit from our range includes baskets with a chipboard base.



Mumbai Design Centre:

Haji Moosa Patrawala Ind.(SOBO)
Estate, Near Famous Studio,
Mahalaxmi (West), Mumbai - 400 011
Tel.: 022 6264 7100.

Mumbai Design Centre:

#2 Filix Building, Opp. Asian Paints,
L.B.S. Marg, Bhandup (West),
Mumbai - 400 078
Tel.: 022 2596 9660/
2596 9787/2594 7305

New Delhi Office & Design Centre:

D-89 , 1st Floor, Okhla Phase-I,
New Delhi - 110 020
Tel.: 011-66574999
Fax: 011-41605482

Bangalore Office & Design Centre:

Incubex Nestavera Spaces Pvt Ltd,
No:13, Langford Place, Langford Road,
Shanti Nagar, Bangalore - 560 025
Tel.: 080 4132 6116
Fax: 080 4132 6226

Bangalore

Hafele Appliances Gallery:

No. 2/1, Shiv Manor, Langford Road,
Shantinagar, Bangalore - 560027
Tel.: 080 - 4142 6336

Hyderabad Office & Design Centre:

SJR Building - # 1-57/89/1 & 1-57/89/2
Opp Allahabad Bank, Gachibowli,
Hyderabad – 500032
Tel.: 040 29557578 / 040 29557588

Kolkata Design Centre:

PS PACE, Premises No. 1/1A,
Mahendra Roy Lane, Topsia,
Kolkata - 700 046
Tel.: 033 40086814 / 033 40089268
Fax: 033 24988020

Kolkata Office:

Office No. 1001, PS Continental,
10th Floor, 83/2/1 Topsia Road,
Near Vishwakarma Building.
South Kolkata - 700046
Tel: 033-2285 0104 /
033-2285 0105 / 033-2285 0106

Chennai Office & Design Centre:

1st Floor No.24, College Road,
Nungambakkam, Chennai - 600 006
Tel.: 044 - 4215 1542
Fax: 044 2446 0922

Pune Design Centre:

Showroom No. 2, Ground Floor,
F P no. 403, A/2, ICC Trade Tower,
Senapati Bapat Marg,
Shivaji Nagar, Pune -411016
Tel.: 020 2563 3301
Fax: 020 2563 3302

Pune Office:

Office No. 12, Vastushree Complex,
Survey No.587,
Near Hyde Park, Gultekdi,
Market Yard, Pune - 411 037
Tel.: 020 2426 6264
Fax: 020 2426 6274

Ahmedabad Office:

Hafele India Pvt. Ltd., Office No. 302,
3rd Floor, Shangrila Arcade, Near
Shyamal Cross Road, Satellite,
Ahmedabad - 380015
Tel.: +91 79695 55505 / 8866220505

Cochin Office:

Jomer Symphony, 5th Floor, 48/1744
C34, Chalikkavattom, North Ponnuranni,
Vyttila, Cochin- 682010

Sri Lanka:

Hafele Office and Design Centre:

52, Nandana Gardens
(On Duplication Road), Colombo 04.
Tel: +94 112 500 501.
Fax: 0094 112 500 553.

Hafele Design Centre:

448, Galle Road, Rawathawatta,
Moratuwa, Sri Lanka.
Tel.: +94 112 644 600.

Hafele Design Centre:

752 Peradeniya Road,
Kandy 20000,
Sri Lanka.
Tel.: +94 812 223 338.

Bangladesh Office:

2nd Floor, House - 181, Road - 2,
Mohakhali DOHS, Dhaka - 1206.
Tel.: 01844018431/ 01844018432/
01844018433/ 01844018437.

Bangladesh Design Center:

House - 106, Road - 12,
Block - E, Banani, Dhaka - 1213
Tel.: 02-48810380-81

Nepal:

UHS Holdings Pvt. Ltd.
Address: Kathmandu-2, Gairidhara
Chowk, Nepal.
Mob.: +977 9802338800

Bhutan:

Smart Homes
Gr. Floor, Druk Building (Opp Helipad)
Babesa -Thimpu Expressway, Thimpu
Tel.: +975-2-333419
Mob.: +975-77277615, 17839717,
77114228,1760063,17669840

HÄFELE

Mumbai Corporate Office:
Office No. 3, Building "A", BETA,
I Think Techno Campus, Off J.V.L.R,
Opp. Kanjurmarg East, Mumbai – 400 042.
Tel.: 022 6142 6100 | Fax: 022 6702 0531.

For Enquiries SMS "HAFELE" to 56070
Toll Free Customer Care: 1800 266 6667
Customer Care WhatsApp: +91 97691 11122
customer care@hafeleindia.com
info@hafeleindia.com

Follow us on

